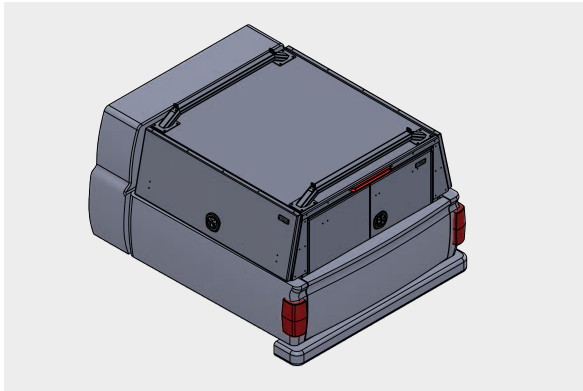




X-ONE TRUCK CAP  
**4-DOOR**

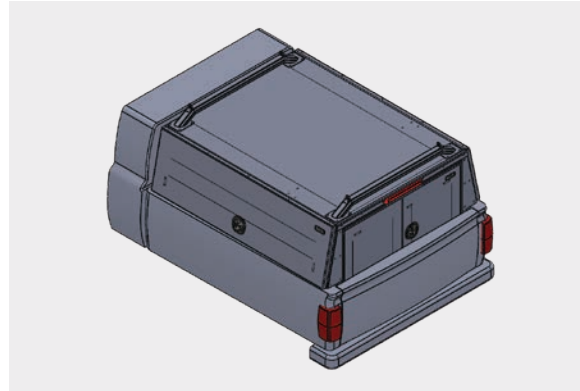


# BED SIZES:



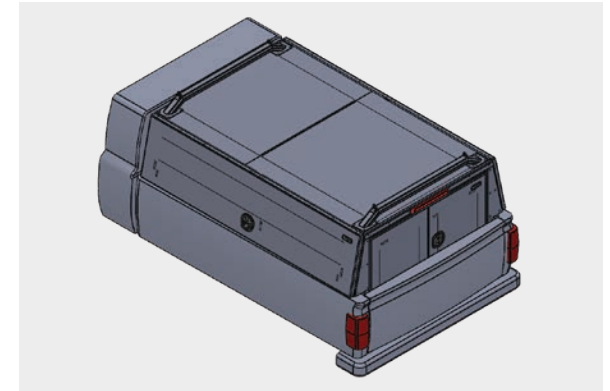
**SHORT BOX** (PAGE 3)

[GO TO SHORT BOX](#)



**REGULAR BOX** (PAGE 9)

[GO TO REGULAR BOX](#)



**LONG BOX** (PAGE 15)

[GO TO LONG BOX](#)



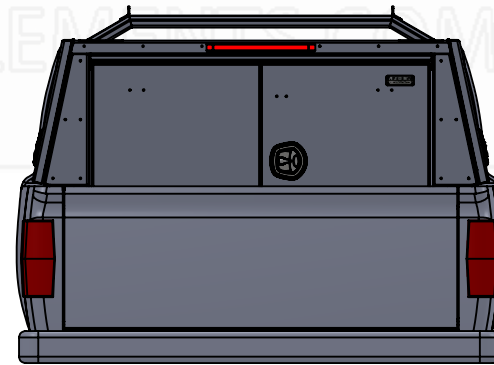
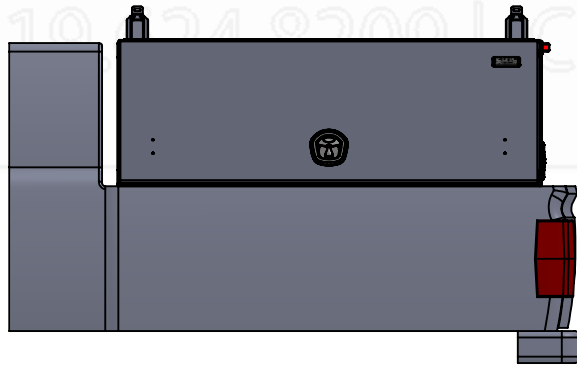
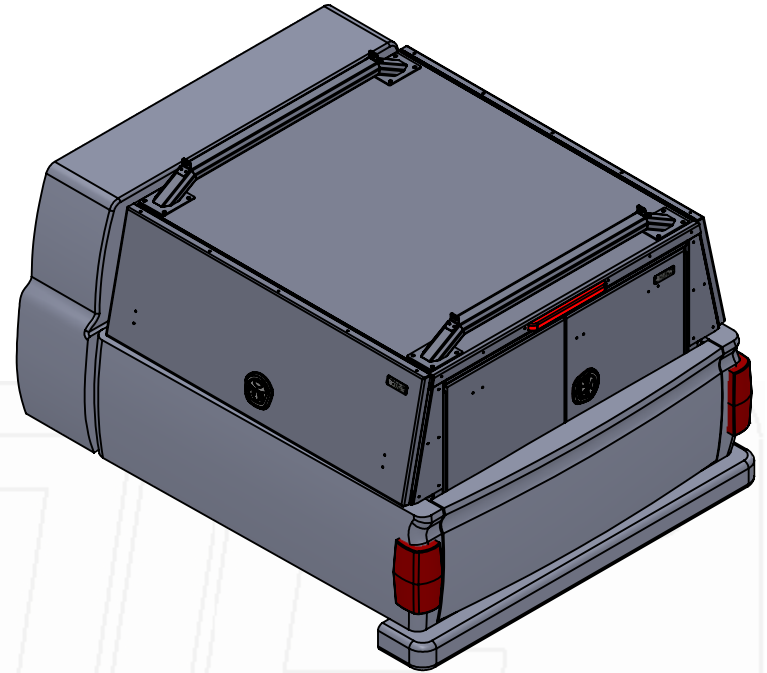
## **NEW!** FLIP UP REAR DOOR

Choose to swap the X-ONE's standard rear barn doors for a single flip-up door. **Now available for every size and configuration.**

X-ONE CONFIGURATIONS:  
**4-DOOR VERSION**



**X-ONE Truck Pack**  
**SHORT BOX (APROX 5.5FT.)**  
**4 - DOOR**  
**CAB HEIGHT**



ICONIC METALGEAR  
 519 24 9200 | ICONICELEMENTS.COM

Part No.:

**3052**

MATERIAL: 5052 (Alum)

THICKNESS: 0.125

FINISH: Powder

DWG. NO.: 4125-0-00-A

Approx. Weight: 369.90 lbs

**ICONIC ELEMENTS (ICONIC METALGEAR)**

TITLE:

REV: SHEET:

Surf. Area: 748.01 sq. ft.

PROPRIETARY AND CONFIDENTIAL  
 NO PART OF THIS DOCUMENT MAY BE REPRODUCED, STORED IN A RETRIEVAL SYSTEM, OR TRANSMITTED IN ANY FORM, WITHOUT THE WRITTEN PERMISSION OF Iconic Elements Inc. (ICONIC METALGEAR)

X-One Truck Pack (4-Door, Short)

A 1 OF 6

5

4

3

2

1

D

C

B

A

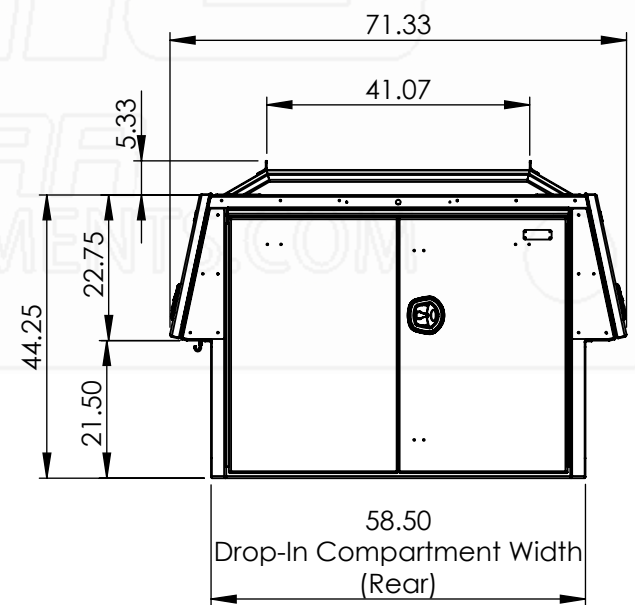
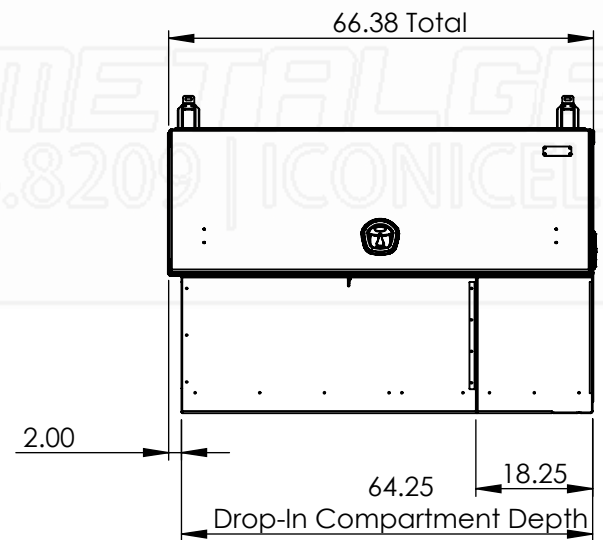
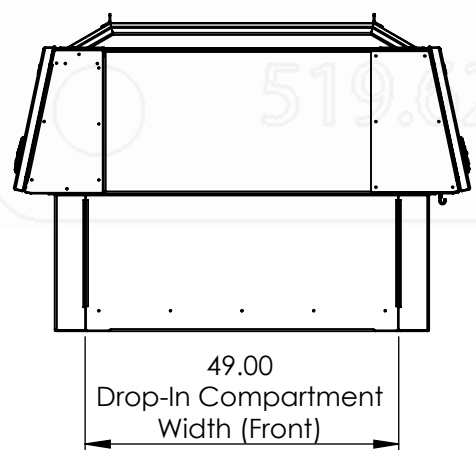
**LADDER RACK CAPACITY  
750LBS (EVENLY DISTRIBUTED)**

**ALL DOORS  
HAVE GAS SHOCKS**

**3rd LED TAIL LIGHT**

**COATED PANEL**

**WHALE TAIL HANDLE  
CHROME, LOCKING**



Part No.:	MATERIAL: 5052 (Alum)	THICKNESS: 0.125	FINISH: Powder	DWG. NO.: 4125-0-00-A
<b>3052</b>	Approx. Weight: 374.33 lbs	<b>ICONIC ELEMENTS (ICONIC METALGEAR)</b> TITLE:		REV: SHEET:
	Surf. Area: 748.01 sq. ft.	<small>PROPRIETARY AND CONFIDENTIAL NO PART OF THIS DOCUMENT MAY BE REPRODUCED, STORED IN A RETRIEVAL SYSTEM, OR TRANSMITTED IN ANY FORM, WITHOUT THE WRITTEN PERMISSION OF Iconic Elements Inc. (ICONIC METALGEAR)</small>		A 2 OF 6

5

4

3

2

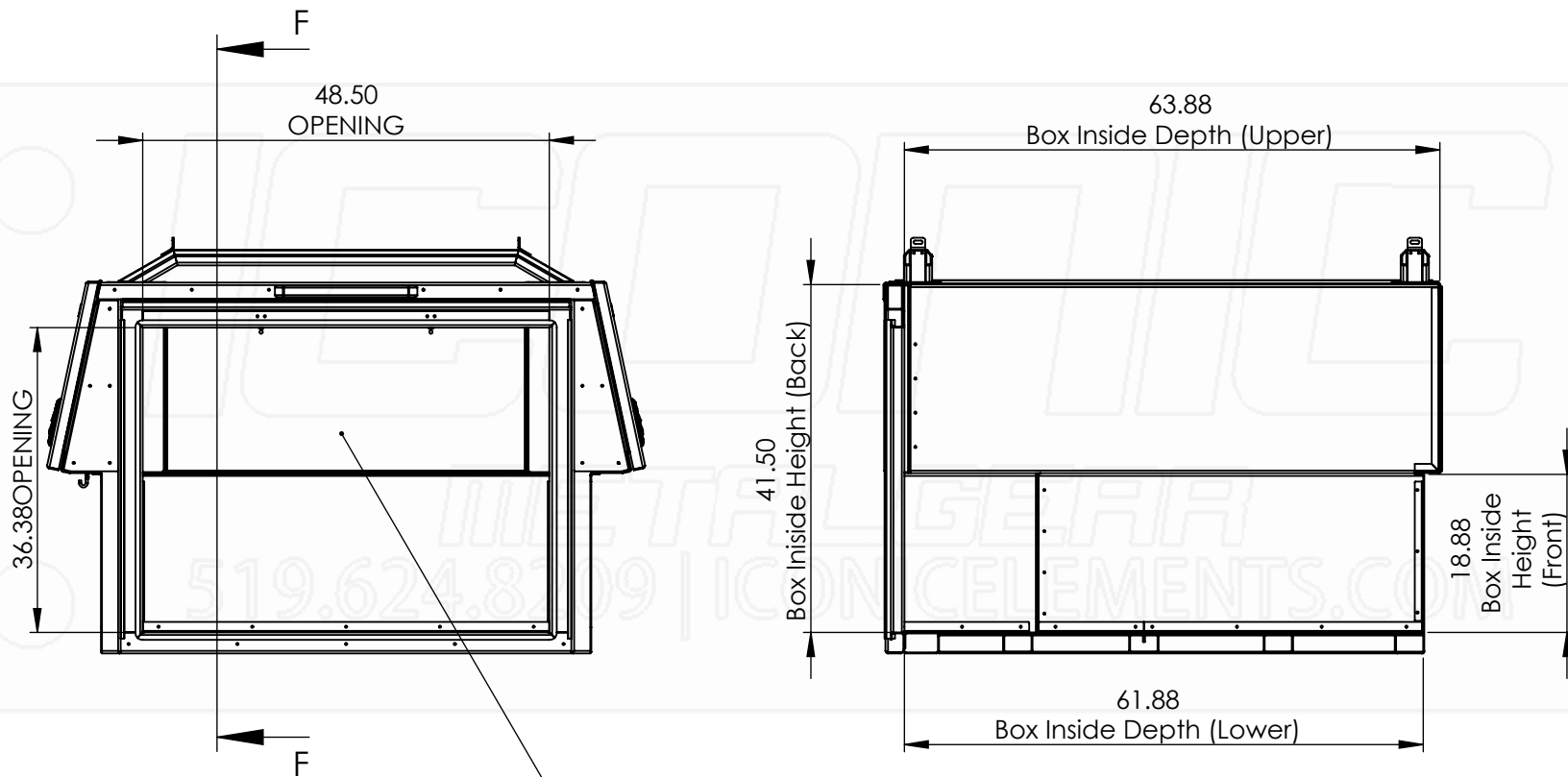
1

D

C

B

A



**BACK DOOR OPENING = 48.5" WIDE x 36.38" HIGH**

Part No.:	MATERIAL: 5052 (Alum)	THICKNESS: 0.125	FINISH: Powder	DWG. NO.: 4125-0-00-A
<b>3052</b>	Approx. Weight: 374.33 lbs	<b>ICONIC ELEMENTS (ICONIC METALGEAR)</b>		REV: SHEET:
	Surf. Area: 748.01 sq. ft.	<small>PROPRIETARY AND CONFIDENTIAL NO PART OF THIS DOCUMENT MAY BE REPRODUCED, STORED IN A RETRIEVAL SYSTEM, OR TRANSMITTED IN ANY FORM, WITHOUT THE WRITTEN PERMISSION OF Iconic Elements Inc. (ICONIC METALGEAR)</small>		A 3 OF 6
			X-One Truck Pack (4-Door, Short)	

5

4

3

2

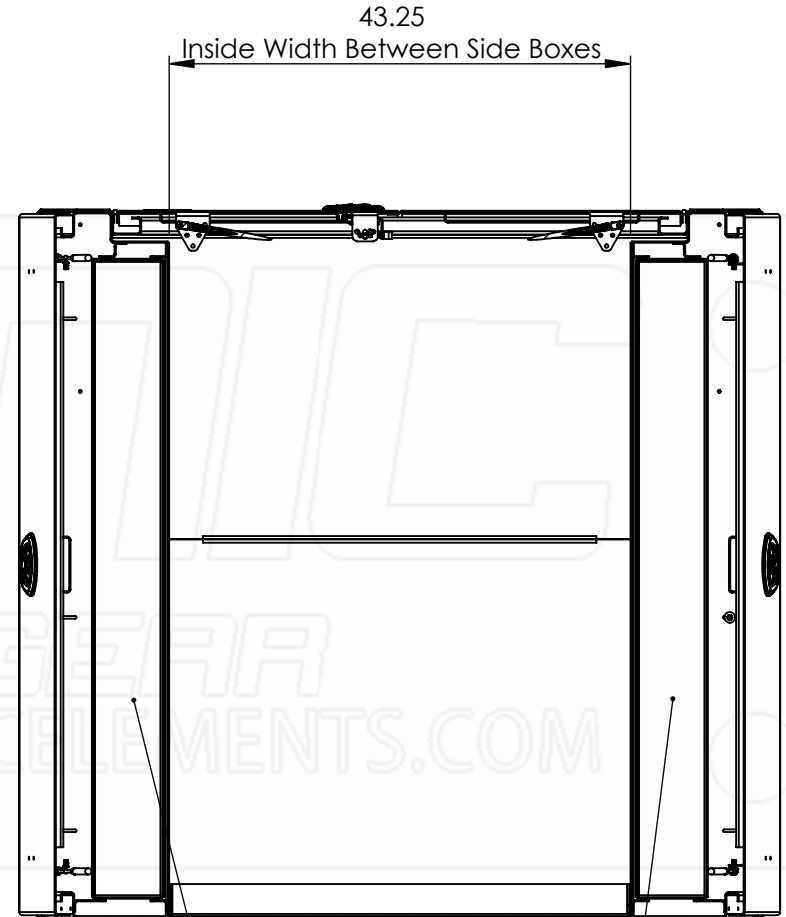
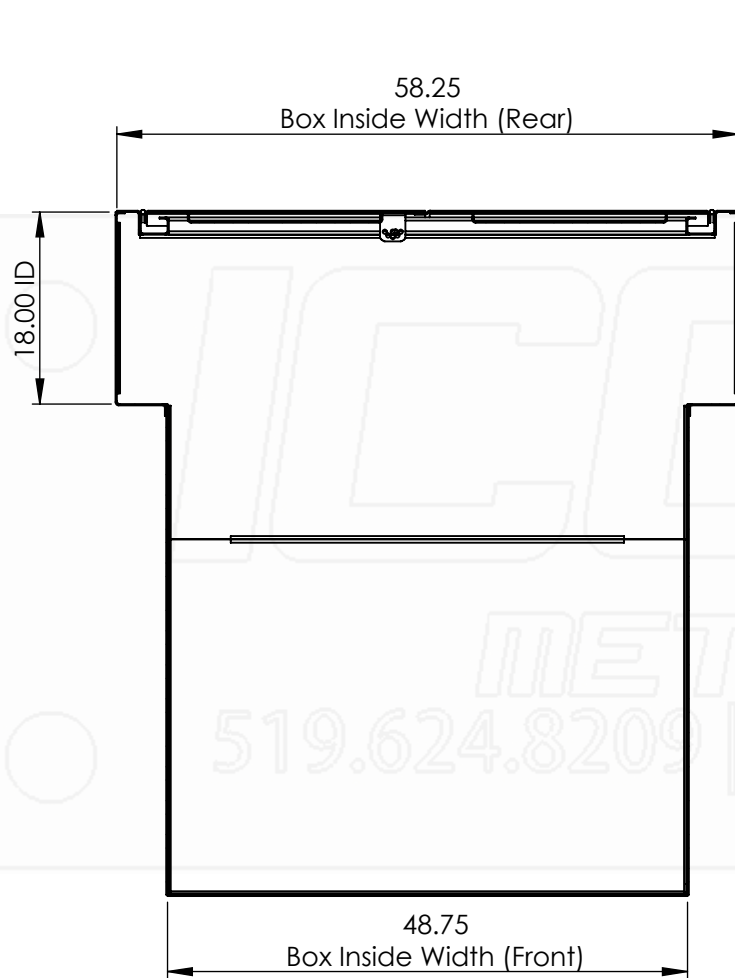
1

D

C

B

A



**ADJUSTABLE SHELVES**

Part No.:

**3052**

MATERIAL: 5052 (Alum)

Approx. Weight: 374.33 lbs

Surf. Area: 748.01 sq. ft.

THICKNESS: 0.125

**ICONIC ELEMENTS (ICONIC METALGEAR)**

PROPRIETARY AND CONFIDENTIAL  
NO PART OF THIS DOCUMENT MAY BE REPRODUCED, STORED IN A RETRIEVAL SYSTEM, OR TRANSMITTED IN ANY FORM, WITHOUT THE WRITTEN PERMISSION OF Iconic Elements Inc. (ICONIC METALGEAR)

FINISH: Powder

TITLE:

**X-One Truck Pack (4-Door, Short)**

DWG. NO.: 4125-0-00-A

REV: SHEET:

**A 4 OF 6**

5

4

3

2

1

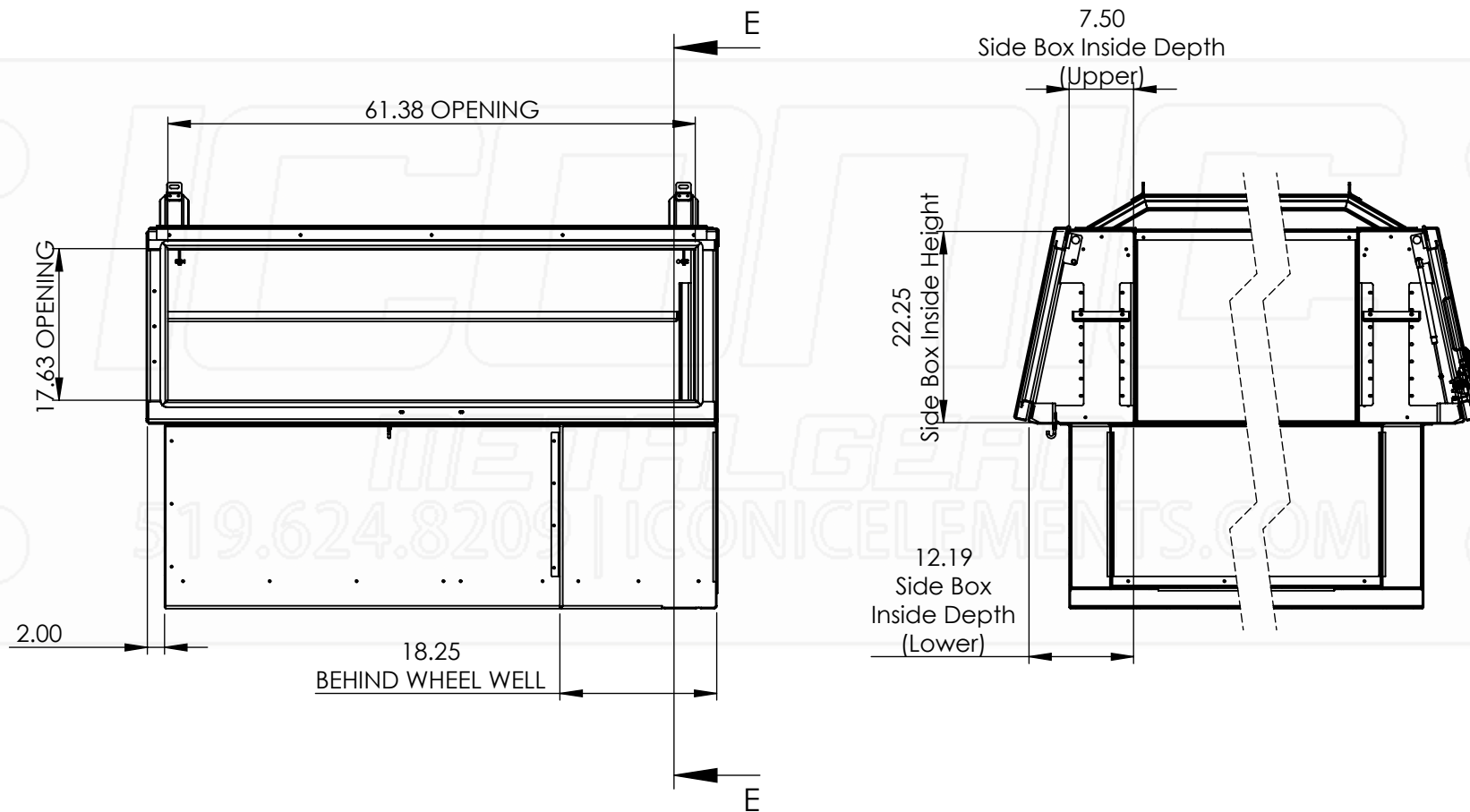
D

C

B

A





Part No.:

**3052**

MATERIAL: 5052 (Alum)

THICKNESS: 0.125

FINISH: Powder

DWG. NO.: 4125-0-00-A

Approx. Weight: 374.33 lbs

**ICONIC ELEMENTS (ICONIC METALGEAR)** TITLE:

REV: SHEET:

Surf. Area: 748.01 sq. ft.

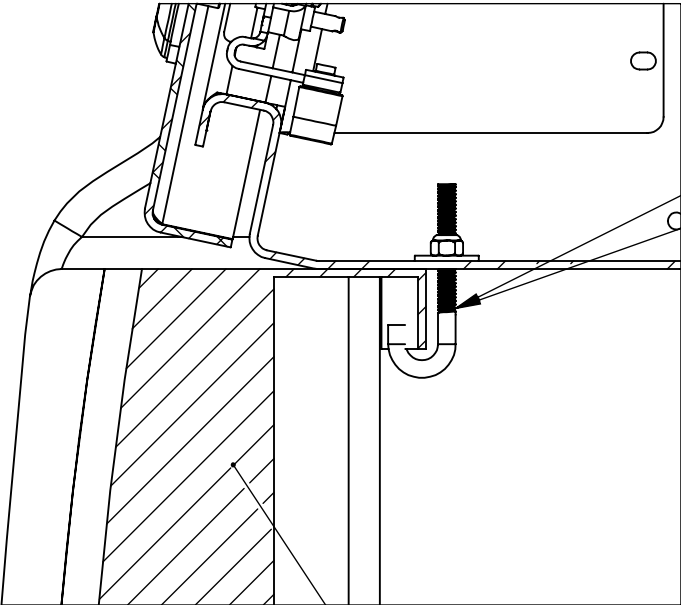
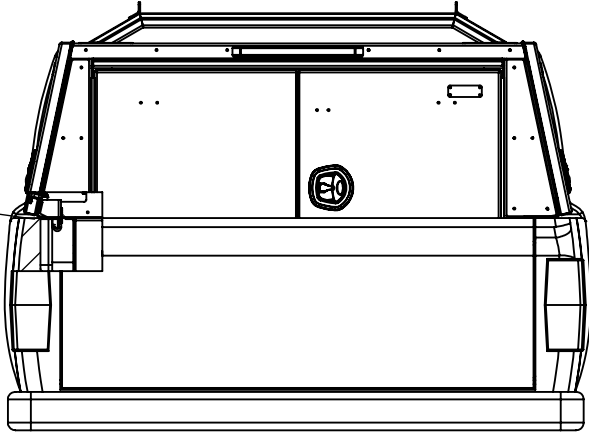
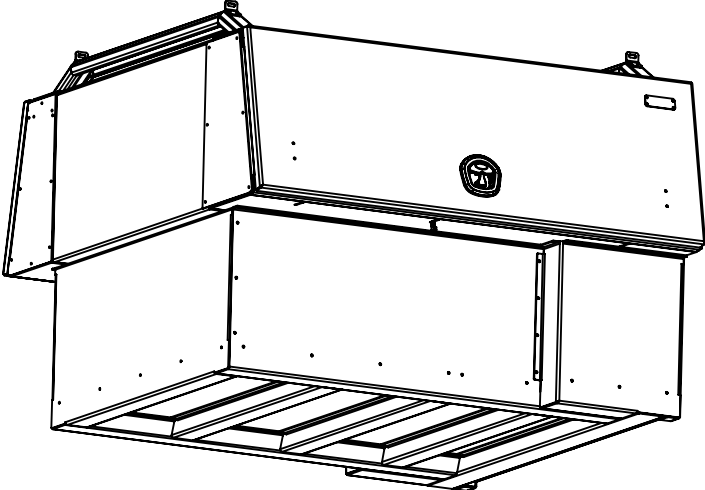
PROPRIETARY AND CONFIDENTIAL  
NO PART OF THIS DOCUMENT MAY BE REPRODUCED, STORED IN A RETRIEVAL SYSTEM, OR TRANSMITTED IN ANY FORM, WITHOUT THE WRITTEN PERMISSION OF Iconic Elements Inc. (ICONIC METALGEAR)

X-One Truck Pack (4-Door, Short) A

5 OF 6

# INSTALLATION GUIDE

APPROX 3 HOURS INSTALL  
(CONTACT AUTO SHOP FOR  
HOOKING UP 3rd BRAKE LIGHT WIRING)



CUT EXCESS OFF  
INCLUDED HARDWARE

TRUCK BED RAIL

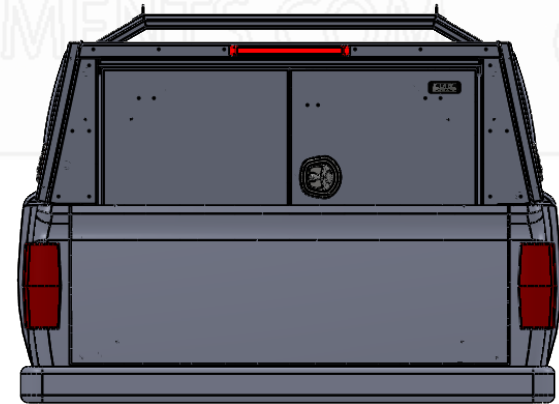
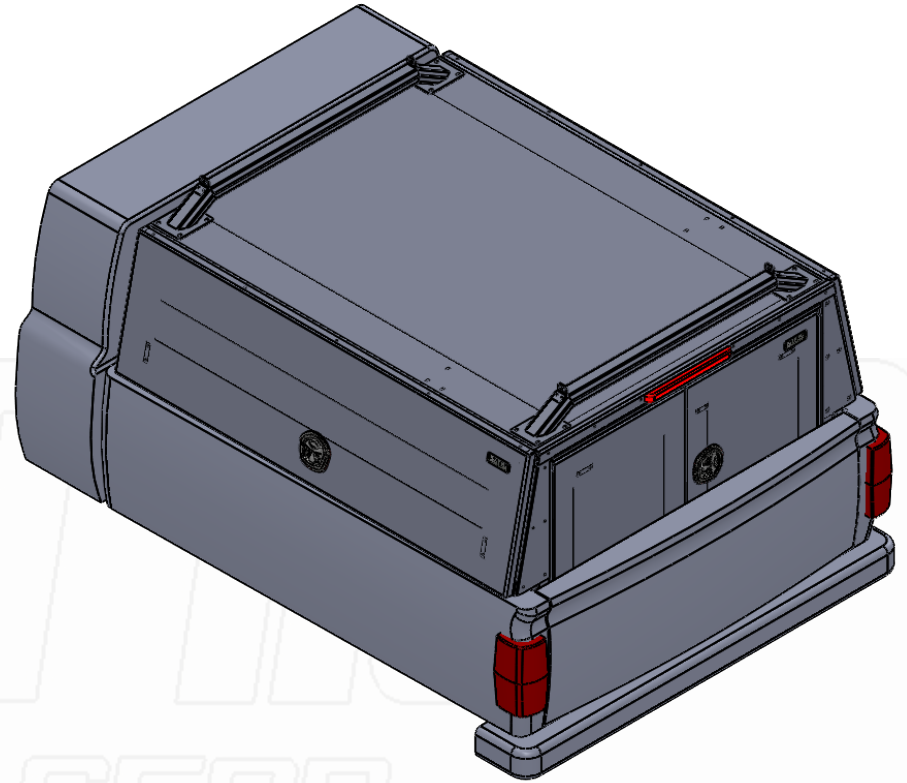


# X-ONE Truck Pack

REGULAR BOX (APROX 6.6 FT.)

4 - DOOR

CAB HEIGHT



Part No.:

**3053**

MATERIAL: 5052 (Alum)

THICKNESS: 0.125

FINISH: Powder

DWG. NO.: 4126-0-00-A

Approx. Weight: 417.05 lbs

Surf. Area: 589.70 sq. ft.

**ICONIC ELEMENTS (ICONIC METALGEAR)** TITLE:

PROPRIETARY AND CONFIDENTIAL  
NO PART OF THIS DOCUMENT MAY BE REPRODUCED, STORED IN A RETRIEVAL SYSTEM, OR TRANSMITTED IN ANY FORM, WITHOUT THE WRITTEN PERMISSION OF Iconic Elements Inc. (ICONIC METALGEAR)

X-One Truck Pack (4-Door,Reg.)

REV: SHEET:

A 1 OF 6

5

4

3

2

1

D

C

B

A

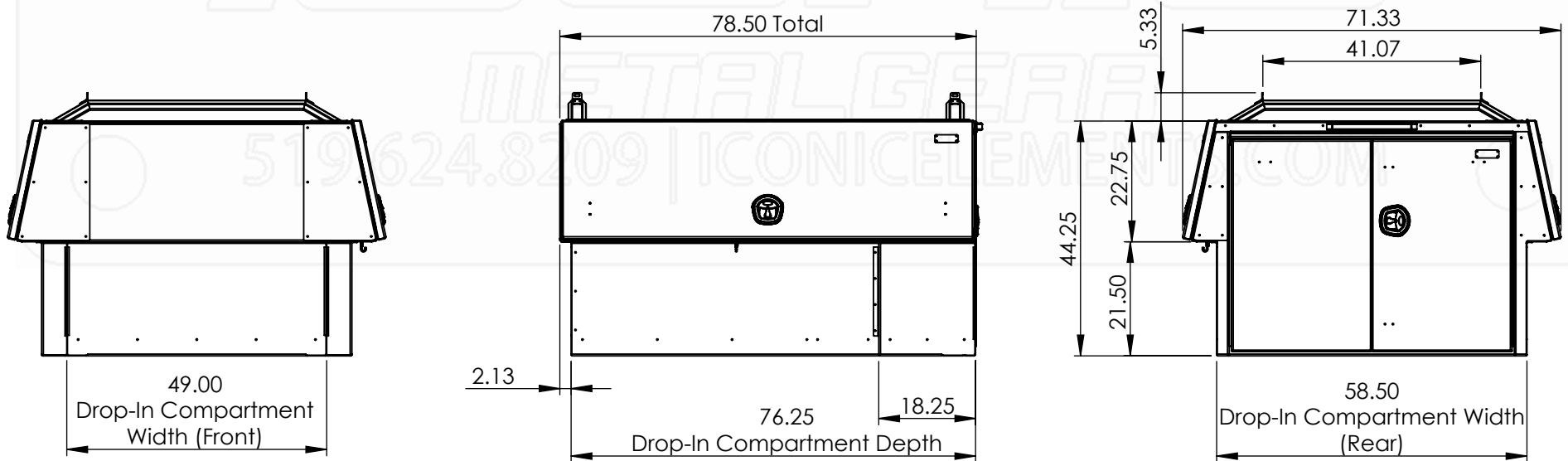
**LADDER RACK CAPACITY  
750LBS (EVENLY DISTRIBUTED)**

**ALL DOORS  
HAVE GAS SHOCKS**

**3rd LED TAIL LIGHT**

**COATED PANEL**

**WHALE TAIL HANDLE  
CHROME, LOCKING**



Part No.:

**3053**

MATERIAL: 5052 (Alum)

THICKNESS: 0.125

FINISH: Powder

DWG. NO.: 4126-0-00-A

Approx. Weight: 417.40 lbs

**ICONIC ELEMENTS (ICONIC METALGEAR)**

TITLE:

REV: SHEET:

Surf. Area: 589.70 sq. ft.

PROPRIETARY AND CONFIDENTIAL  
NO PART OF THIS DOCUMENT MAY BE REPRODUCED, STORED IN A RETRIEVAL SYSTEM, OR TRANSMITTED  
IN ANY FORM, WITHOUT THE WRITTEN PERMISSION OF Iconic Elements Inc. (ICONIC METALGEAR)

X-One Truck Pack (4-Door, Reg.)

A 2 OF 6

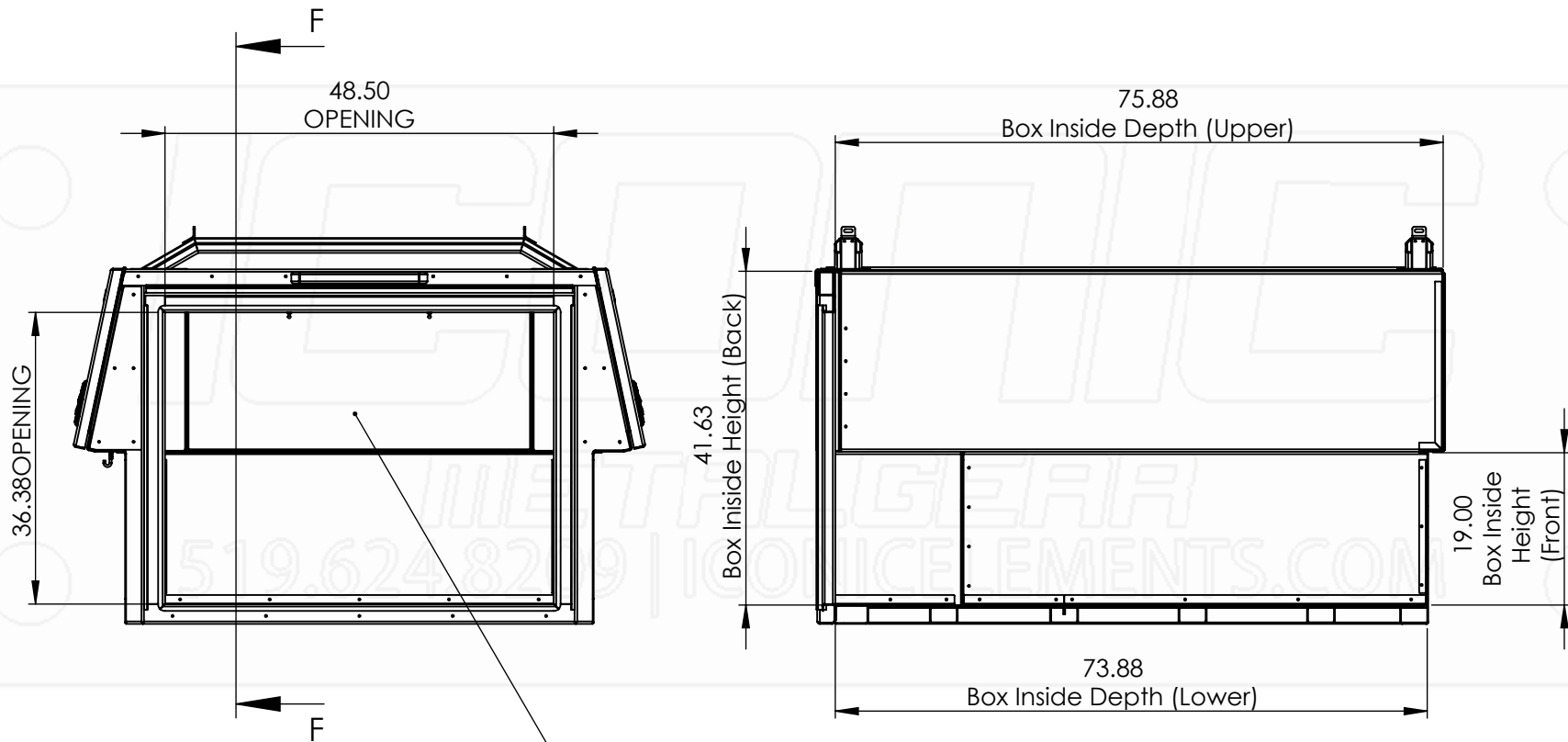
5

4

3

2

1



**BACK DOOR OPENING = 48.5" WIDE x 36.38" HIGH**

Part No.:	MATERIAL: 5052 (Alum)	THICKNESS: 0.125	FINISH: Powder	DWG. NO.: 4126-0-00-A
<b>3053</b>	Approx. Weight: 417.40 lbs	<b>ICONIC ELEMENTS (ICONIC METALGEAR)</b> TITLE:		REV: SHEET:
	Surf. Area: 589.70 sq. ft.	<small>NO PART OF THIS DOCUMENT MAY BE REPRODUCED, STORED IN A RETRIEVAL SYSTEM, OR TRANSMITTED IN ANY FORM, WITHOUT THE WRITTEN PERMISSION OF Iconic Elements Inc. (ICONIC METALGEAR)</small>		A 3 OF 6

5

4

3

2

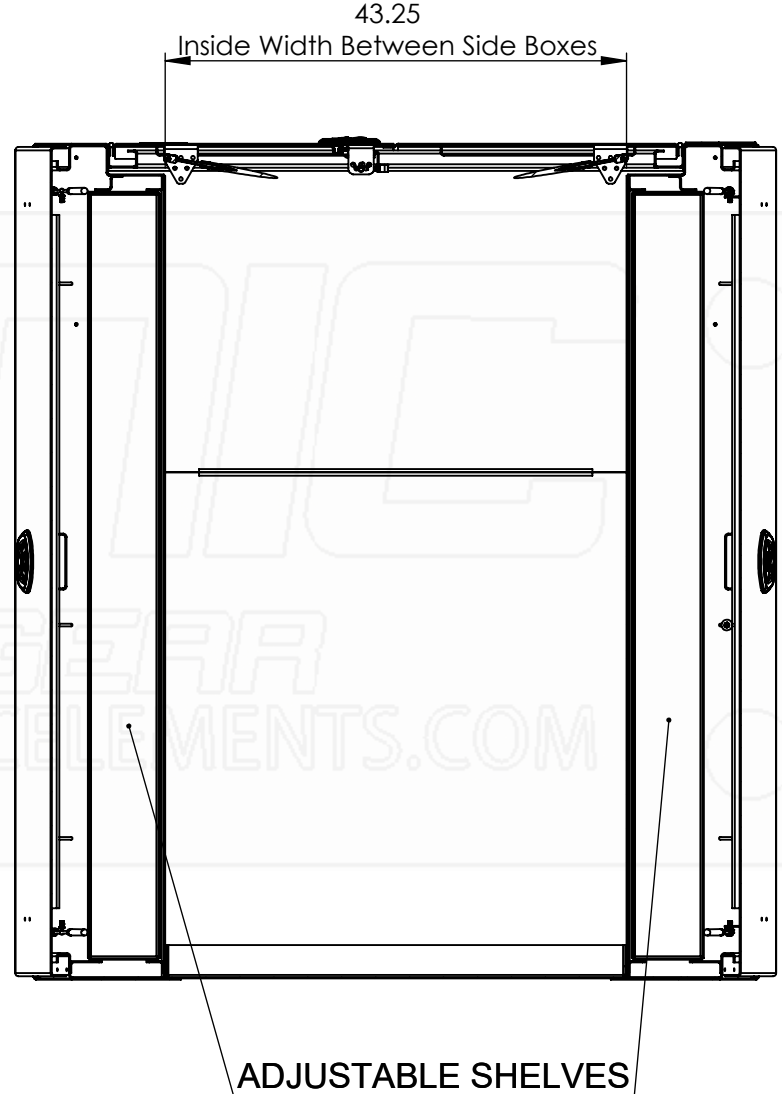
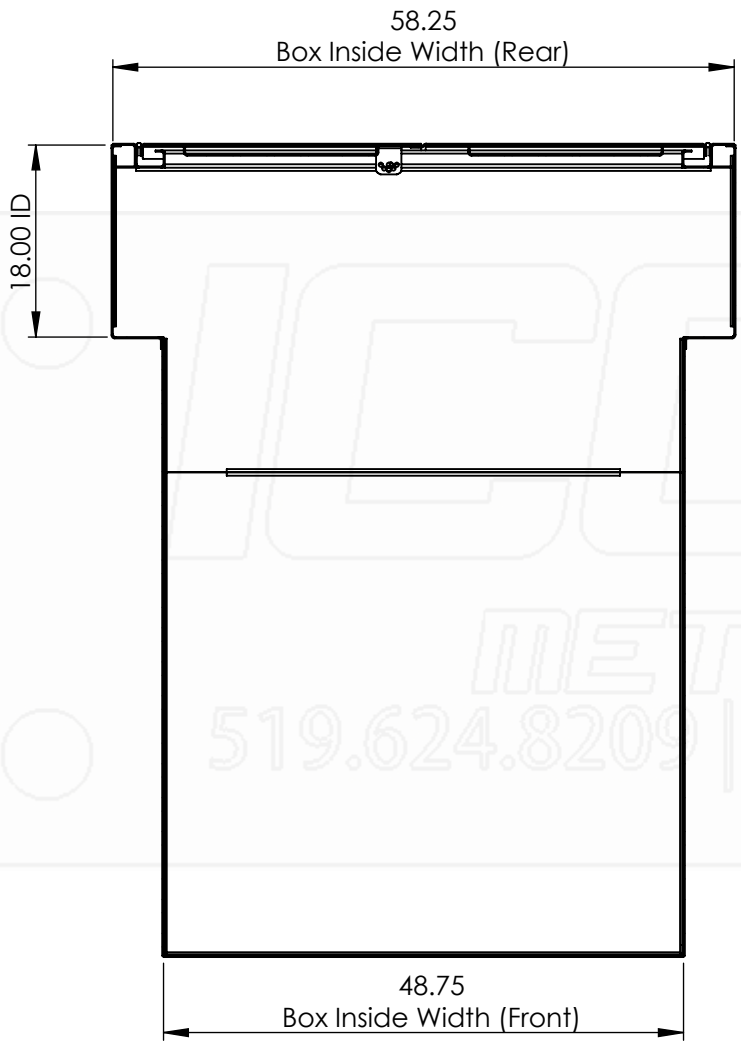
1

D

C

B

A



D  
C  
B  
A

Part No.:

**3053**

MATERIAL: 5052 (Alum)

THICKNESS: 0.125

FINISH: Powder

DWG. NO.: 4126-0-00-A

Approx. Weight: 417.40 lbs  
Surf. Area: 589.70 sq. ft.

**ICONIC ELEMENTS (ICONIC METALGEAR)** TITLE:

PROPRIETARY AND CONFIDENTIAL  
NO PART OF THIS DOCUMENT MAY BE REPRODUCED, STORED IN A RETRIEVAL SYSTEM, OR TRANSMITTED IN ANY FORM, WITHOUT THE WRITTEN PERMISSION OF Iconic Elements Inc. (ICONIC METALGEAR)

X-One Truck Pack (4-Door, Reg.)

REV: SHEET:  
A 4 OF 6

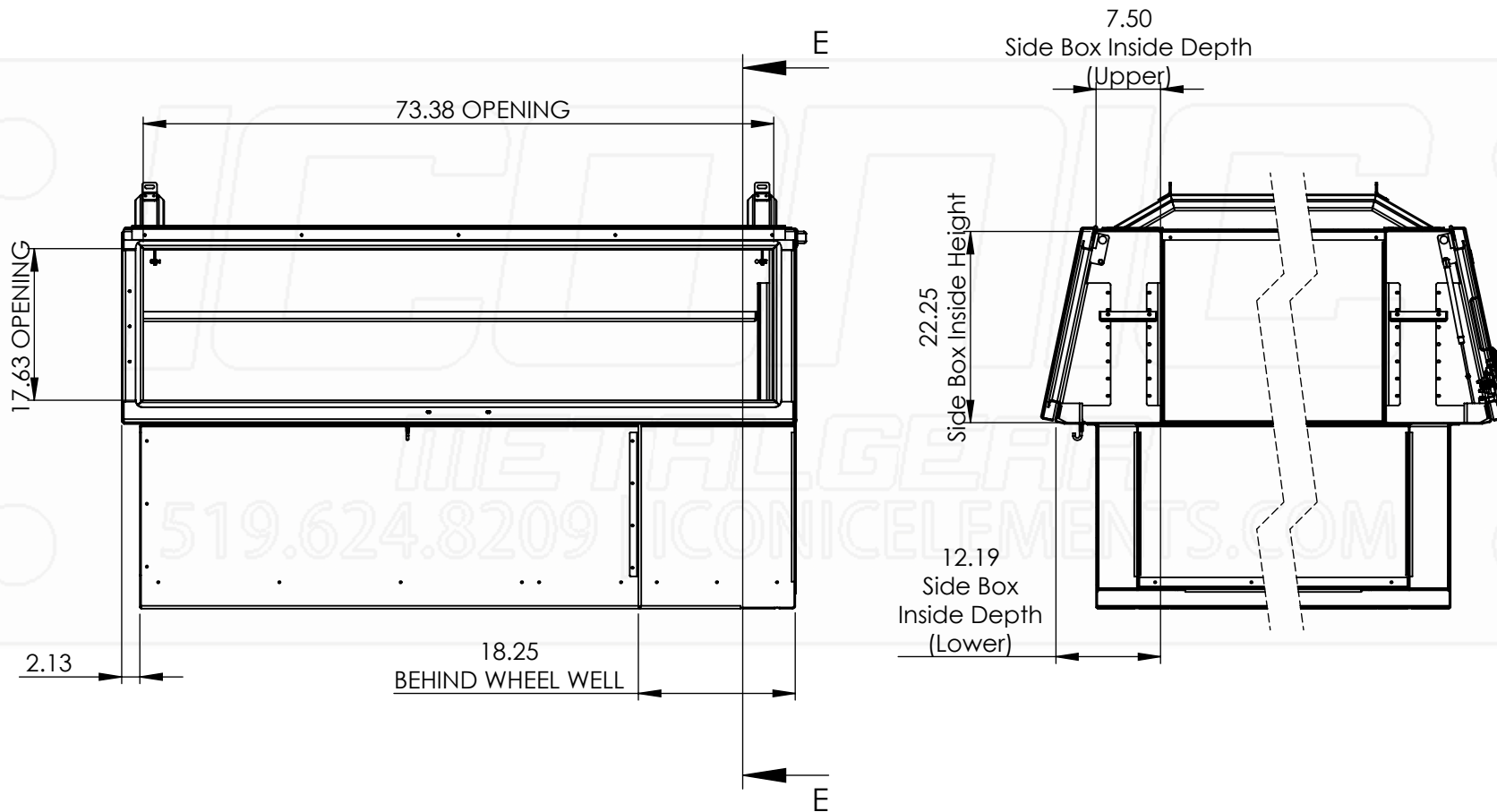
5

4

3

2

1



Part No.:

**3053**

MATERIAL: 5052 (Alum)

THICKNESS: 0.125

FINISH: Powder

DWG. NO.: 4126-0-00-A

Approx. Weight: 417.40 lbs

**ICONIC ELEMENTS (ICONIC METALGEAR)** TITLE:

REV: SHEET:

Surf. Area: 589.70 sq. ft.

PROPRIETARY AND CONFIDENTIAL  
NO PART OF THIS DOCUMENT MAY BE REPRODUCED, STORED IN A RETRIEVAL SYSTEM, OR TRANSMITTED IN ANY FORM, WITHOUT THE WRITTEN PERMISSION OF Iconic Elements Inc. (ICONIC METALGEAR)

X-One Truck Pack (4-Door, Reg.)

A 5 OF 6

5

4

3

2

1

D

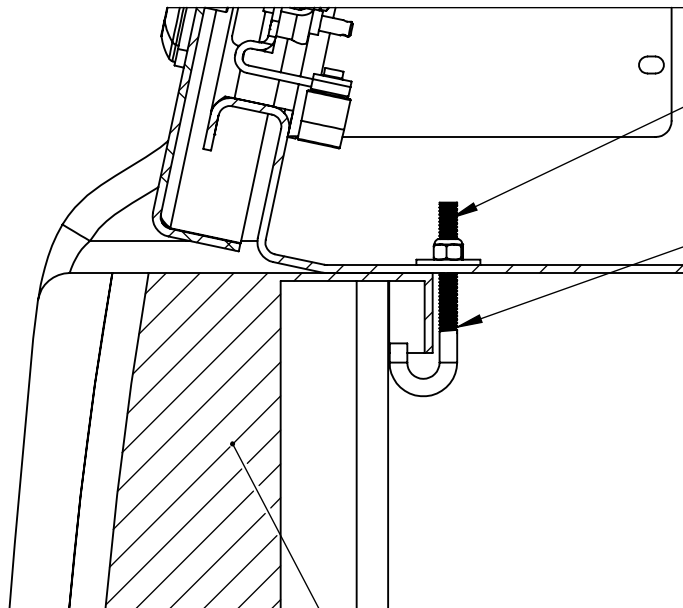
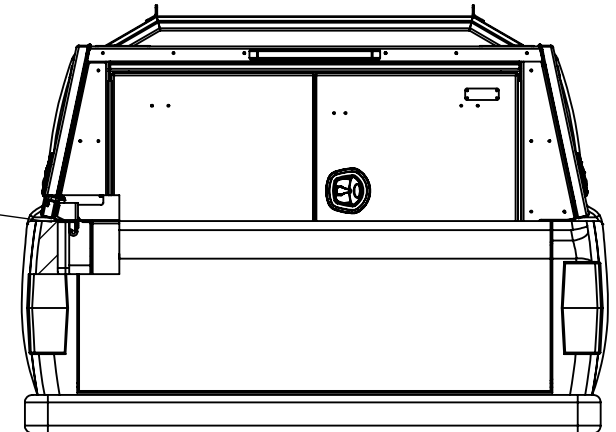
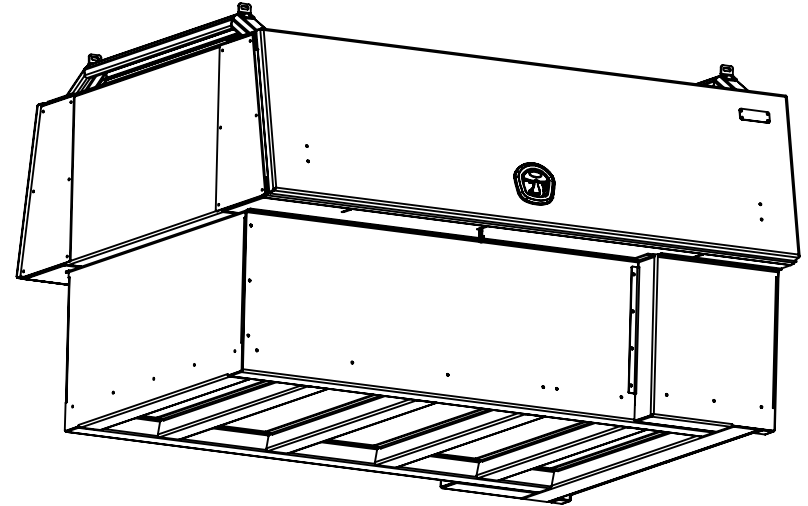
C

B

A

# **INSTALLATION GUIDE**

**APPROX 3 HOURS INSTALL  
(CONTACT AUTO SHOP FOR  
HOOKING UP 3rd BRAKE LIGHT WIRING)**



**CUT EXCESS OFF**

**INCLUDED HARDWARE**

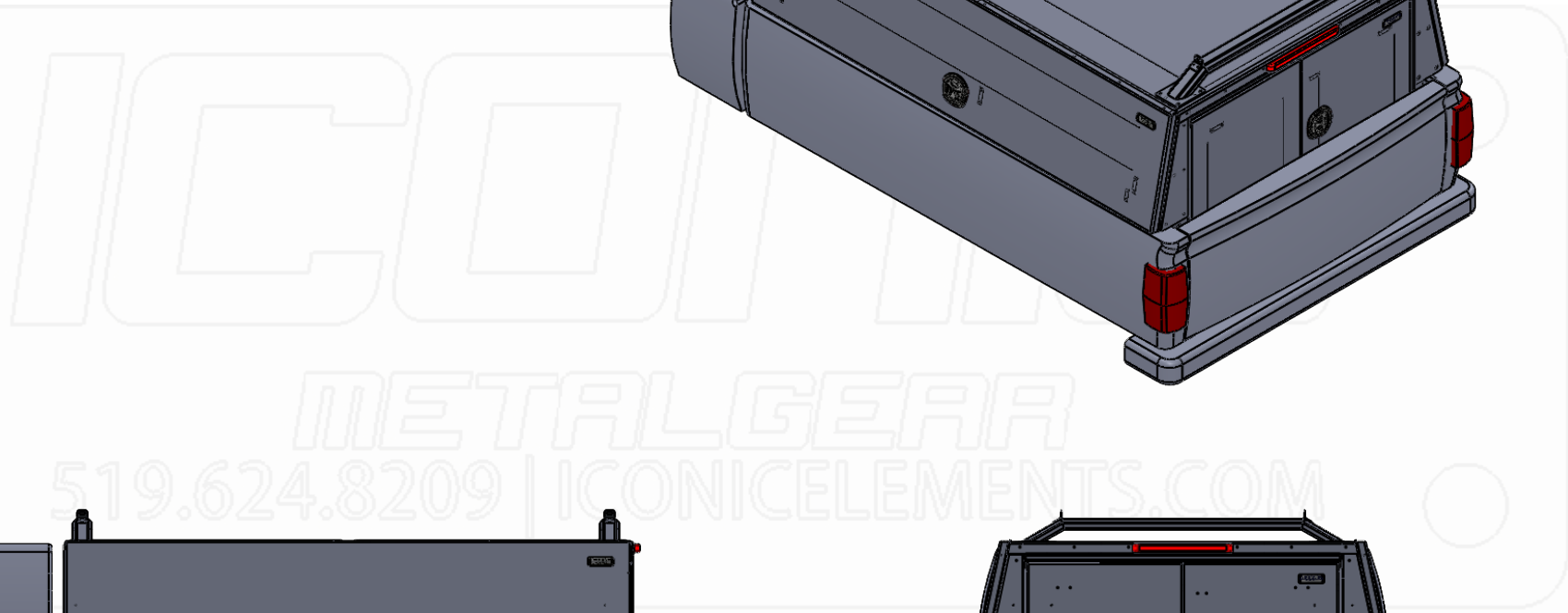
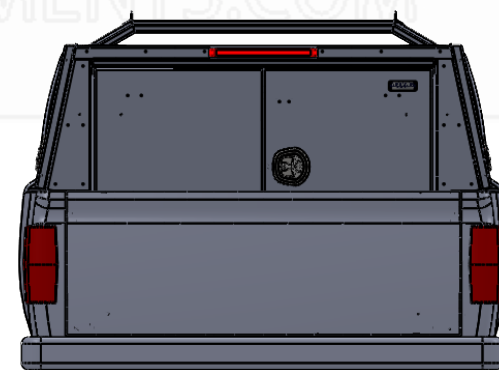
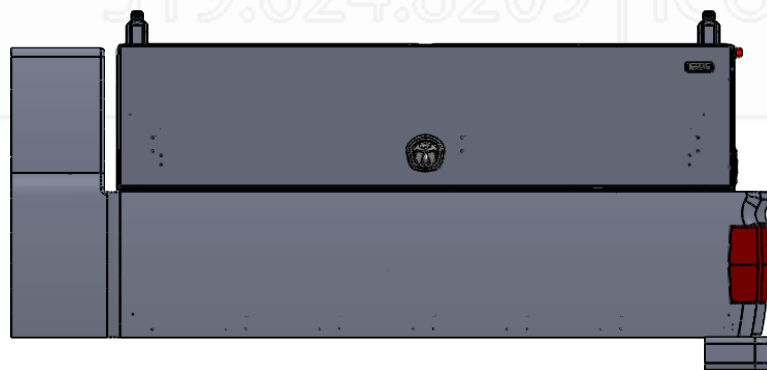
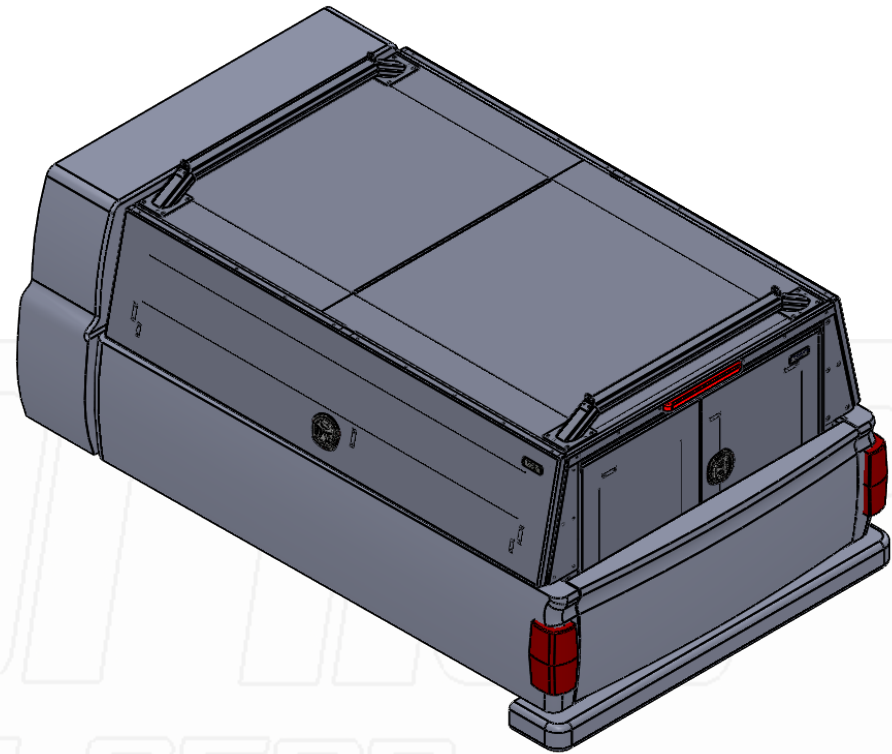
**TRUCK BED RAIL**

# X-ONE Truck Pack

LONG BOX (APROX 8 FT.)

4 - DOOR

CAB HEIGHT



Part No.:

**3059**

MATERIAL: 5052 (Alum)

THICKNESS: 0.125

FINISH: Powder

DWG. NO.: 4127-0-00-A

Approx. Weight: 489.33 lbs

**ICONIC ELEMENTS (ICONIC METALGEAR)** TITLE:

REV: SHEET:

Surf. Area: 695.33 sq. ft.

PROPRIETARY AND CONFIDENTIAL  
NO PART OF THIS DOCUMENT MAY BE REPRODUCED, STORED IN A RETRIEVAL SYSTEM, OR TRANSMITTED IN ANY FORM, WITHOUT THE WRITTEN PERMISSION OF Iconic Elements Inc. (ICONIC METALGEAR)

X-One Truck Pack (4-Door, Long)

A 1 OF 6

5

4

3

2

1

D

C

B

A



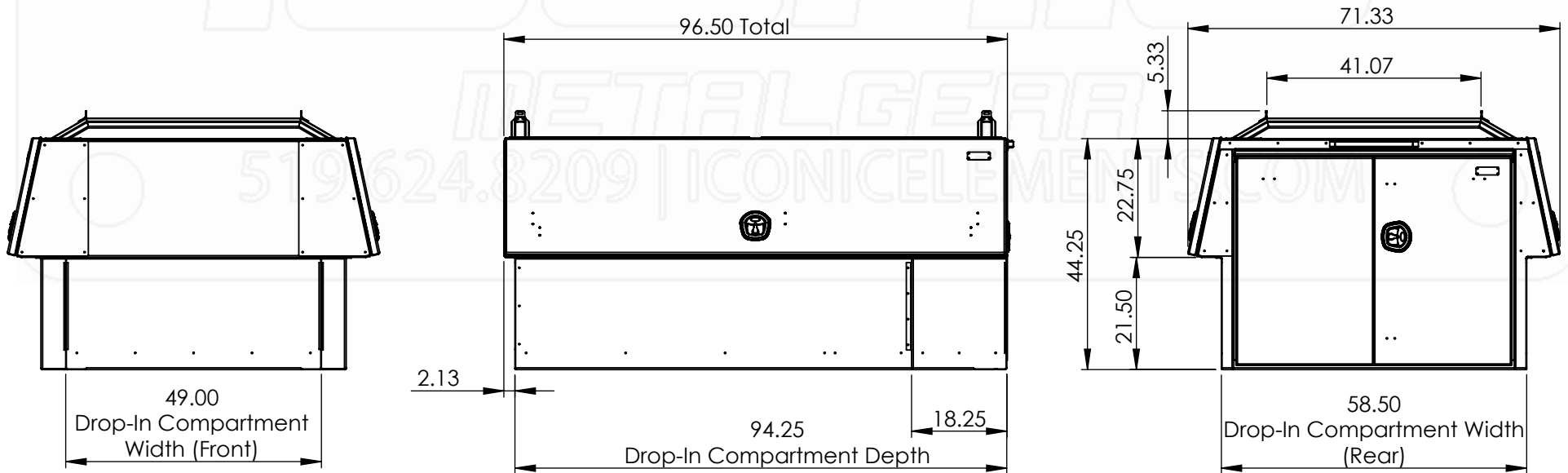
**LADDER RACK CAPACITY  
750LBS (EVENLY DISTRIBUTED)**

**ALL DOORS  
HAVE GAS SHOCKS**

**3rd LED TAIL LIGHT**

**COATED PANEL**

**WHALE TAIL HANDLE  
CHROME, LOCKING**



Part No.:

**3059**

MATERIAL: 5052 (Alum)

THICKNESS: 0.125

FINISH: Powder

DWG. NO.: 4127-0-00-A

Approx. Weight: 489.33 lbs

**ICONIC ELEMENTS (ICONIC METALGEAR)** TITLE:

REV: SHEET:

Surf. Area: 695.33 sq. ft.

PROPRIETARY AND CONFIDENTIAL  
NO PART OF THIS DOCUMENT MAY BE REPRODUCED, STORED IN A RETRIEVAL SYSTEM, OR TRANSMITTED  
IN ANY FORM, WITHOUT THE WRITTEN PERMISSION OF Iconic Elements Inc. (ICONIC METALGEAR)

**X-One Truck Pack (4-Door, Long)**

**A 2 OF 6**

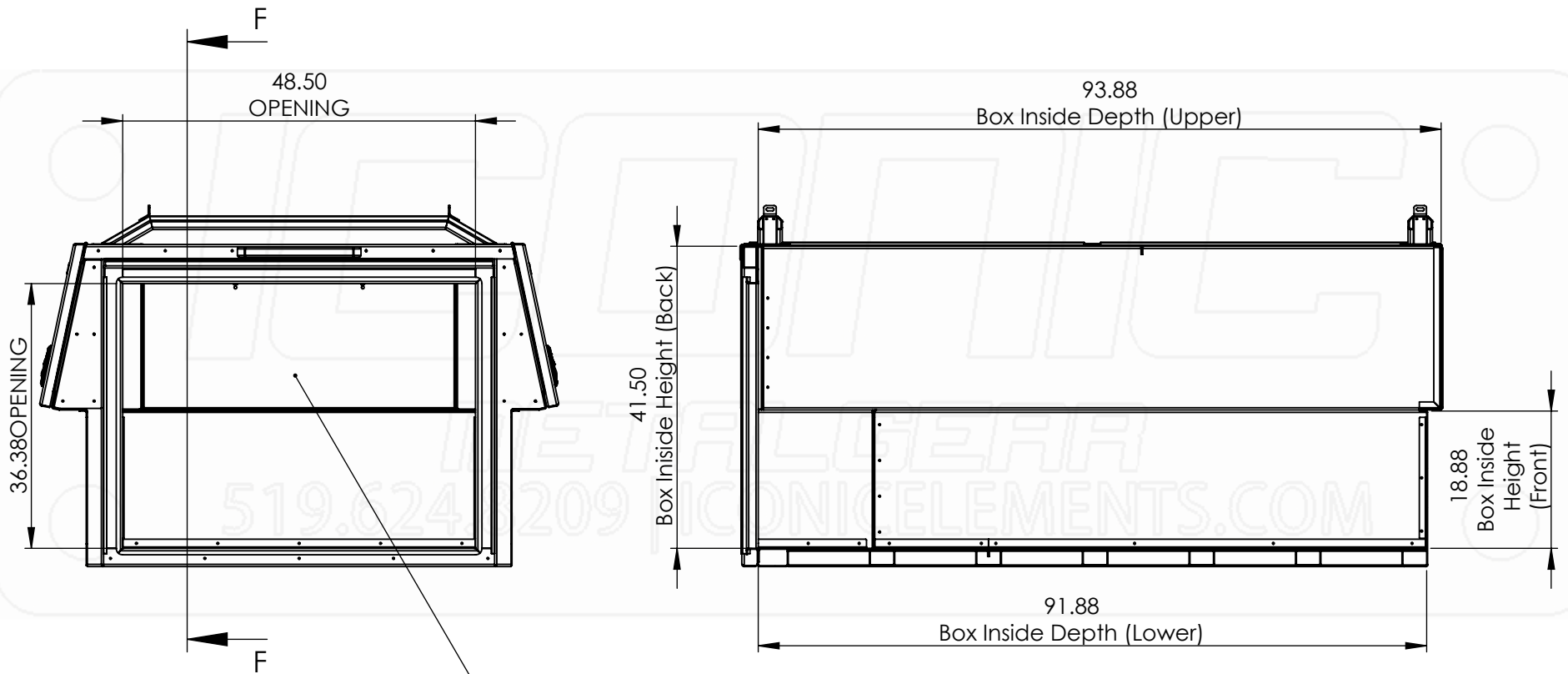
5

4

3

2

1



**BACK DOOR OPENING = 48.5" WIDE x 36.38" HIGH**

Part No.:	MATERIAL: 5052 (Alum)	THICKNESS: 0.125	FINISH: Powder	DWG. NO.: 4127-0-00-A
<b>3059</b>	Approx. Weight: 489.33 lbs	<b>ICONIC ELEMENTS (ICONIC METALGEAR)</b>		REV: SHEET:
	Surf. Area: 695.33 sq. ft.	<small>NO PART OF THIS DOCUMENT MAY BE REPRODUCED, STORED IN A RETRIEVAL SYSTEM, OR TRANSMITTED IN ANY FORM, WITHOUT THE WRITTEN PERMISSION OF Iconic Elements Inc. (ICONIC METALGEAR)</small>		A 3 OF 6
		<b>X-One Truck Pack (4-Door, Long)</b>		

5

4

3

2

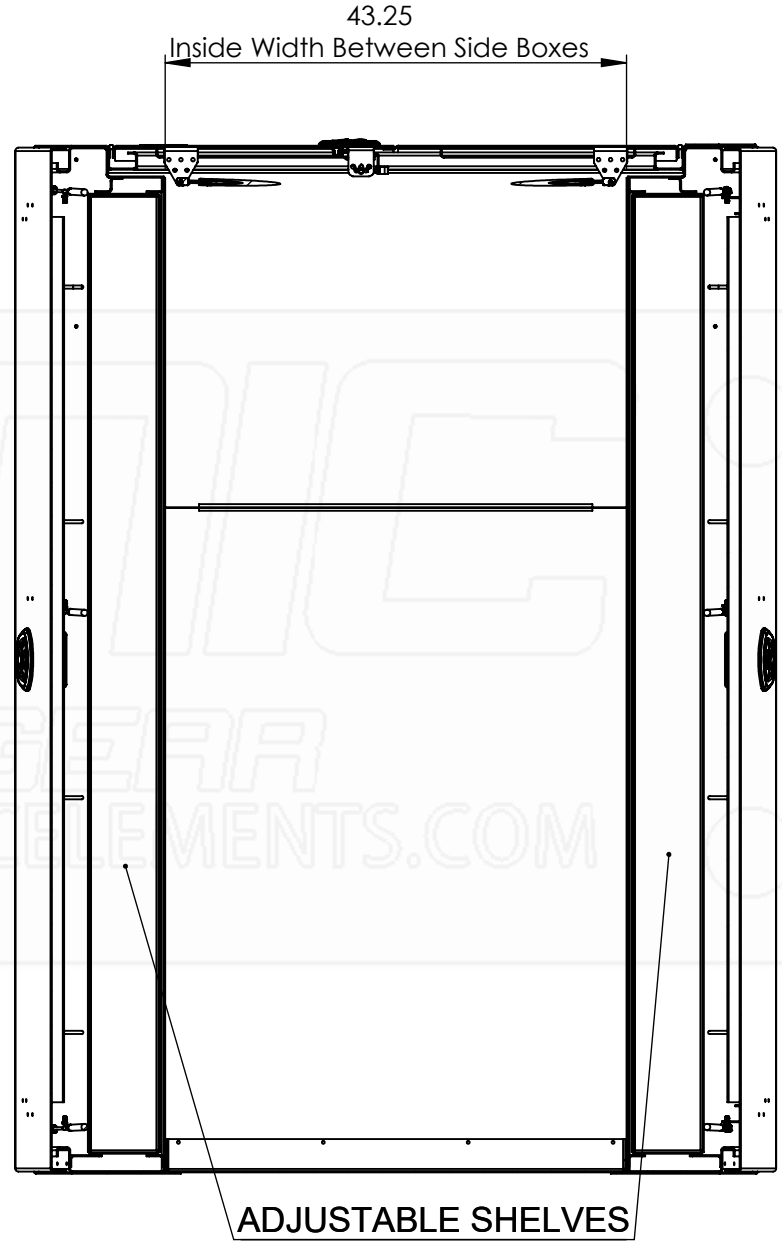
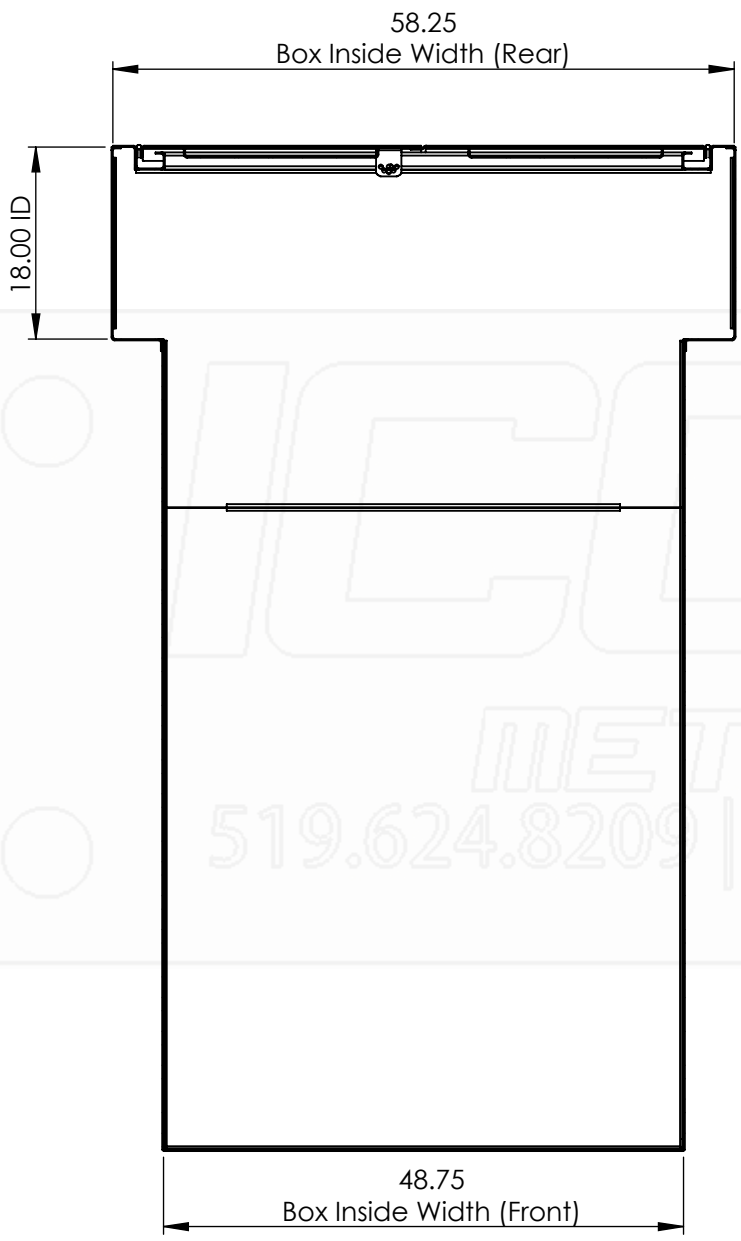
1

D

C

B

A



D  
C  
B  
A

Part No.:

**3059**

MATERIAL: 5052 (Alum)

THICKNESS: 0.125

FINISH: Powder

DWG. NO.: 4127-0-00-A

Approx. Weight: 489.33 lbs  
Surf. Area: 695.33 sq. ft.

**ICONIC ELEMENTS (ICONIC METALGEAR)**  
PROPRIETARY AND CONFIDENTIAL  
 NO PART OF THIS DOCUMENT MAY BE REPRODUCED, STORED IN A RETRIEVAL SYSTEM, OR TRANSMITTED IN ANY FORM, WITHOUT THE WRITTEN PERMISSION OF Iconic Elements Inc. (ICONIC METALGEAR)

TITLE:  
**X-One Truck Pack (4-Door, Long)**

REV: A SHEET: 4 OF 6

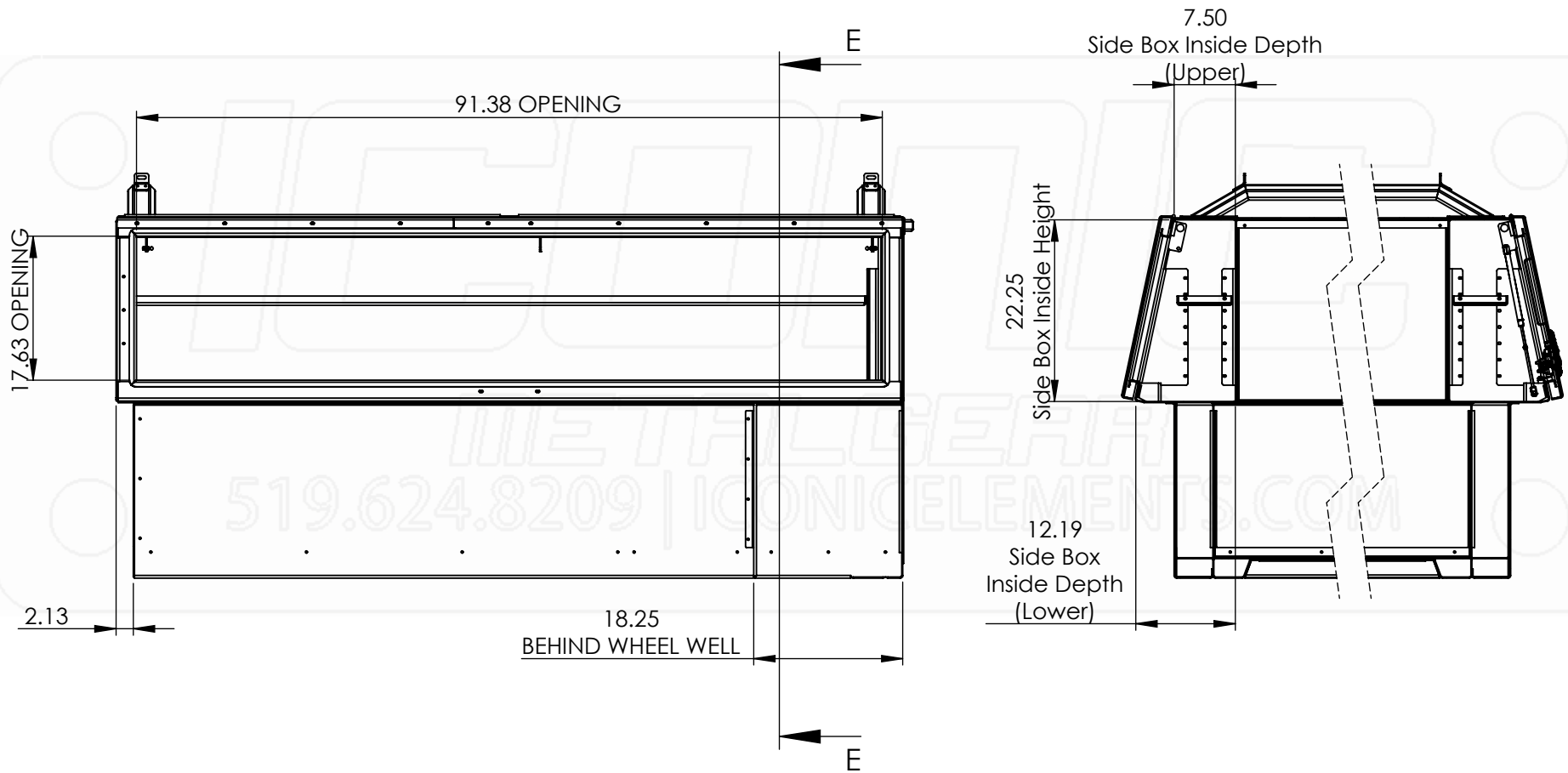
5

4

3

2

1



Part No.:

**3059**

MATERIAL: 5052 (Alum)

THICKNESS: 0.125

FINISH: Powder

DWG. NO.: 4127-0-00-A

Approx. Weight: 489.33 lbs

**ICONIC ELEMENTS (ICONIC METALGEAR)** TITLE:

REV: SHEET:

Surf. Area: 695.33 sq. ft.

PROPRIETARY AND CONFIDENTIAL  
NO PART OF THIS DOCUMENT MAY BE REPRODUCED, STORED IN A RETRIEVAL SYSTEM, OR TRANSMITTED IN ANY FORM, WITHOUT THE WRITTEN PERMISSION OF Iconic Elements Inc. (ICONIC METALGEAR)

X-One Truck Pack (4-Door, Long) A

5 OF 6

5

4

3

2

1

D

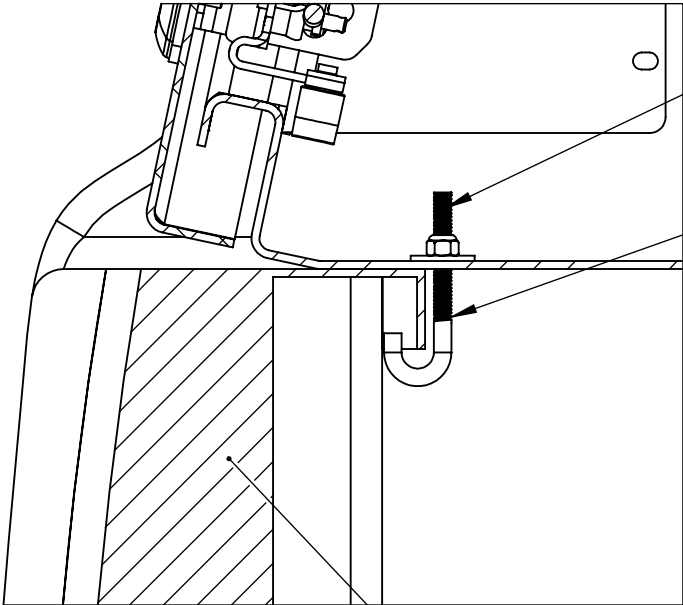
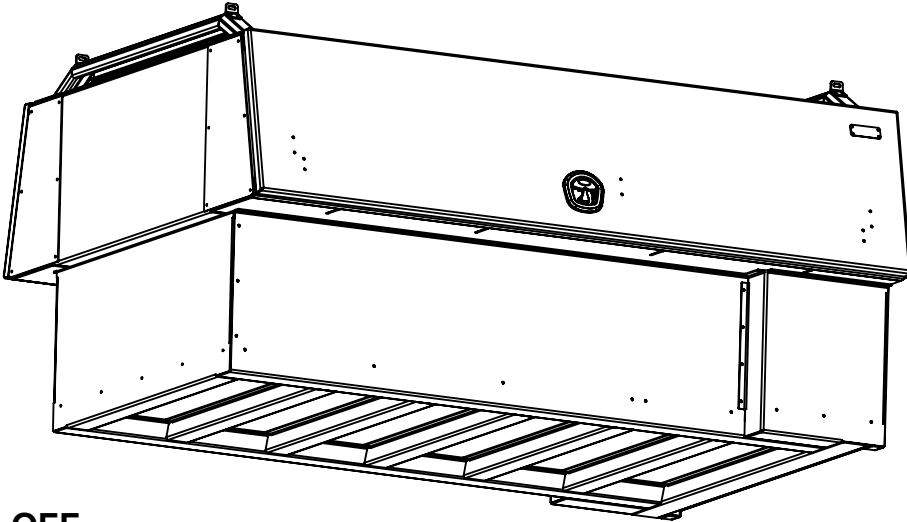
C

B

A

# **INSTALLATION GUIDE**

**APPROX 3 HOURS INSTALL  
(CONTACT AUTO SHOP FOR  
HOOKING UP 3rd BRAKE LIGHT WIRING)**



**CUT EXCESS OFF**

**INCLUDED HARDWARE**

**TRUCK BED RAIL**

