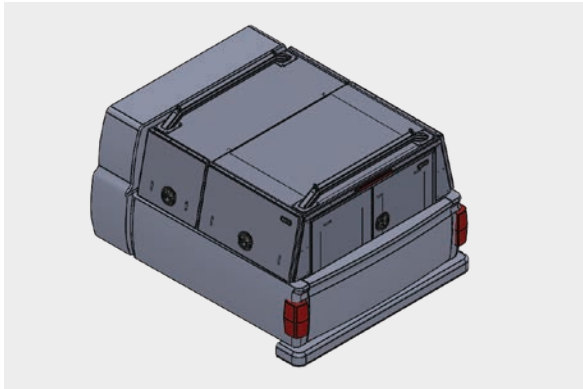




X-ONE TRUCK CAP
6-DOOR

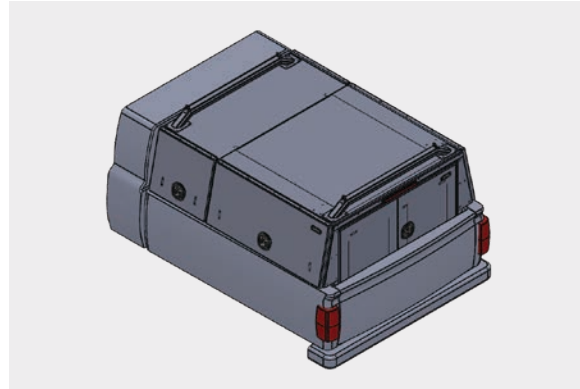


BED SIZES:



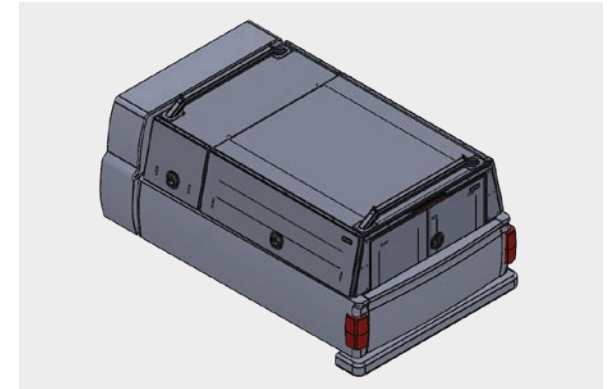
SHORT BOX (PAGE 3)

[GO TO SHORT BOX](#)



REGULAR BOX (PAGE 9)

[GO TO REGULAR BOX](#)



LONG BOX (PAGE 15)

[GO TO LONG BOX](#)



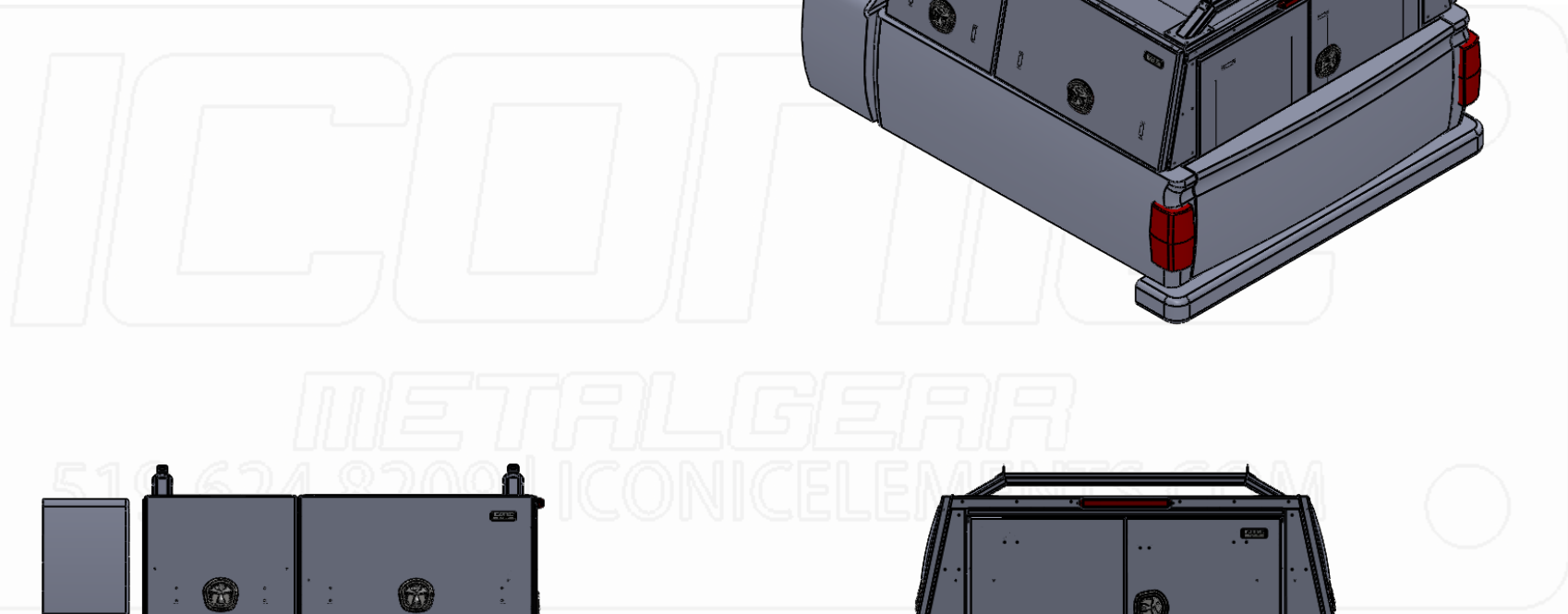
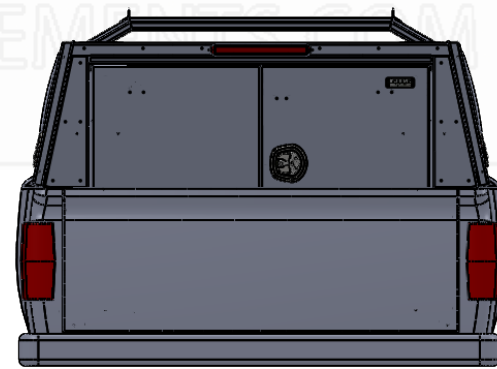
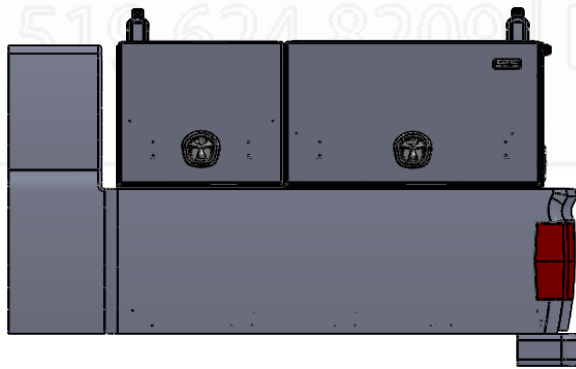
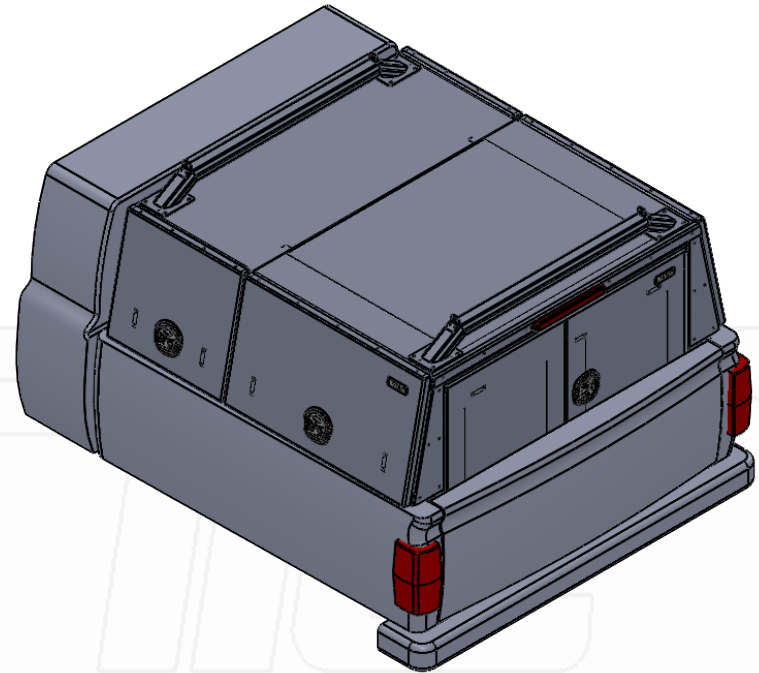
NEW! FLIP UP REAR DOOR

Choose to swap the X-ONE's standard rear barn doors for a single flip-up door. **Now available for every size and configuration.**

X-ONE CONFIGURATIONS:
6-DOOR VERSION



X-ONE Truck Pack
SHORT BOX (APROX 5.5FT.)
6 - DOOR
CAB HEIGHT



D
C
B
A

Part No.:	MATERIAL: 5052 (Alum)	THICKNESS: 0.125	FINISH: Powder	DWG. NO.: 4122-0-00-A
3042	Approx. Weight: 453.75 lbs	ICONIC ELEMENTS (ICONIC METALGEAR) TITLE:		REV: SHEET:
	Surf. Area: 558.97 sq. ft.	<small>PROPRIETARY AND CONFIDENTIAL NO PART OF THIS DOCUMENT MAY BE REPRODUCED, STORED IN A RETRIEVAL SYSTEM, OR TRANSMITTED IN ANY FORM, WITHOUT THE WRITTEN PERMISSION OF Iconic Elements Inc. (ICONIC METALGEAR)</small>		A 1 OF 6

5

4

3

2

1

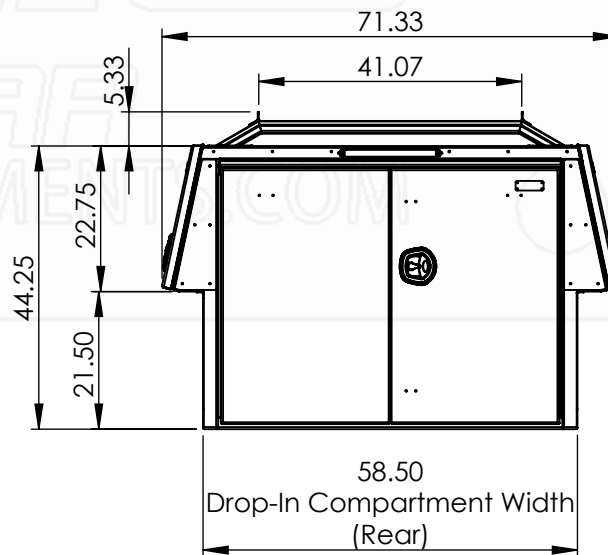
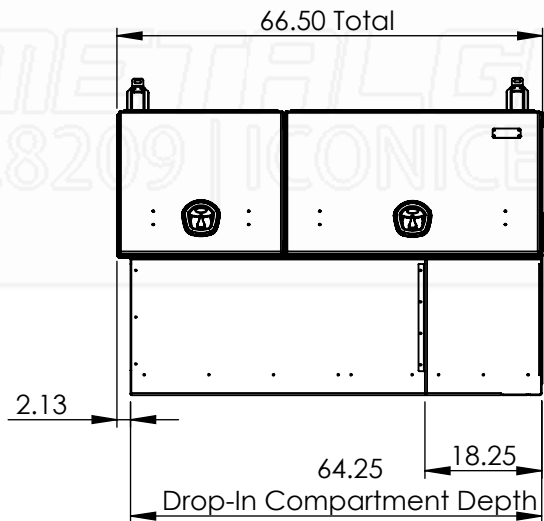
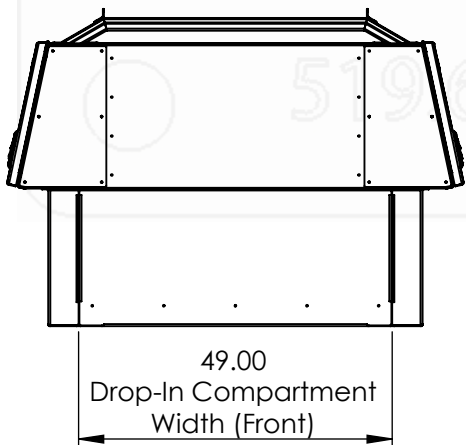
**LADDER RACK CAPACITY
750LBS (EVENLY DISTRIBUTED) ALL**

**ALL DOORS
HAVE GAS SHOCKS**

3rd LED TAIL LIGHT

COATED PANEL

**WHALE TAIL HANDLE
CHROME, LOCKING**



Part No.:

3042

MATERIAL: 5052 (Alum)

THICKNESS: 0.125

FINISH: Powder

DWG. NO.: 4122-0-00-A

Approx. Weight: 453.34 lbs

Surf. Area: 558.97 sq. ft.

ICONIC ELEMENTS (ICONIC METALGEAR)

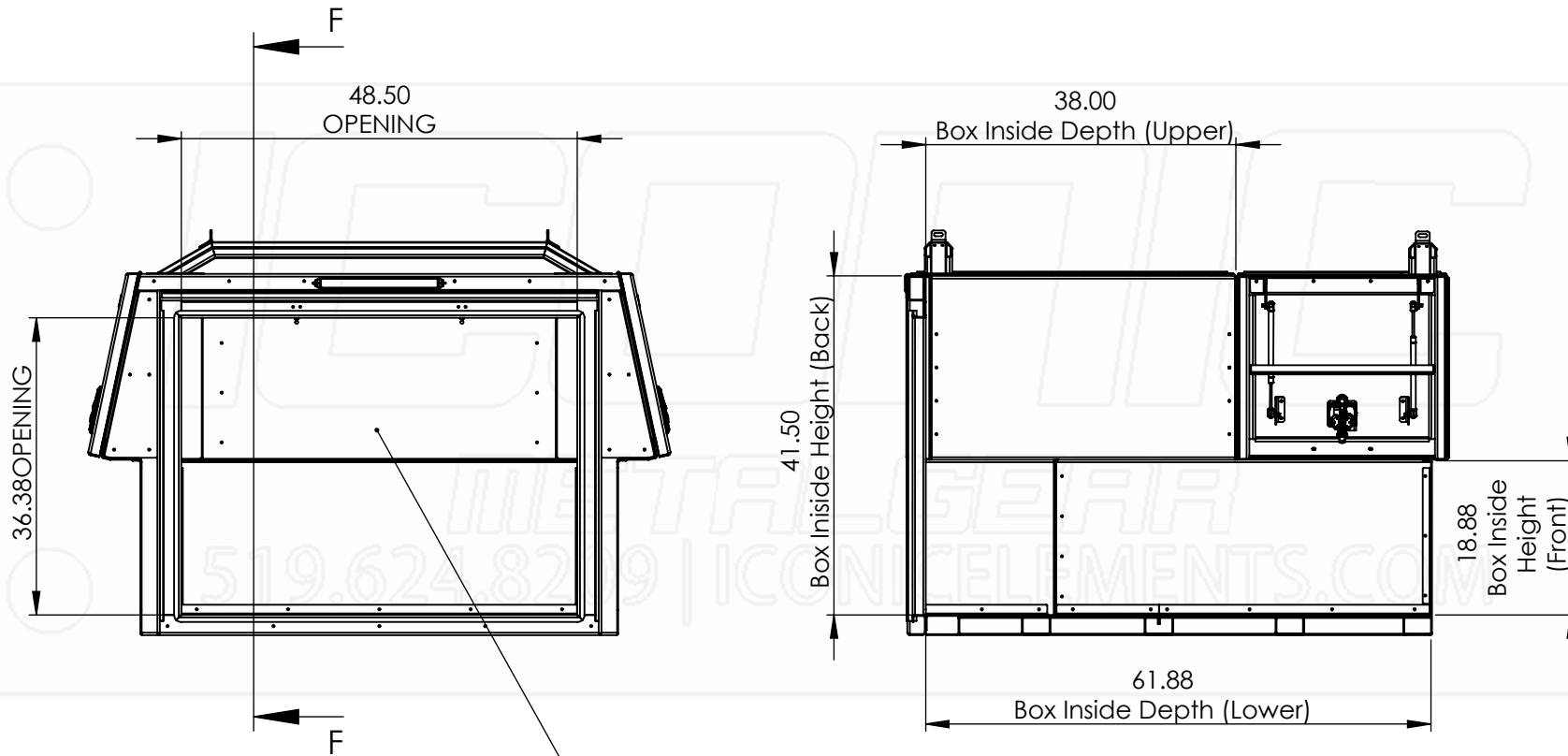
PROPRIETARY AND CONFIDENTIAL
NO PART OF THIS DOCUMENT MAY BE REPRODUCED, STORED IN A RETRIEVAL SYSTEM, OR TRANSMITTED
IN ANY FORM, WITHOUT THE WRITTEN PERMISSION OF Iconic Elements Inc. (ICONIC METALGEAR)

TITLE:

X-One Truck Pack (6-Door, Short)

REV: SHEET:

A 2 OF 6



BACK DOOR OPENING = 48.5" WIDE x 36.38" HIGH

Part No.:	MATERIAL: 5052 (Alum)	THICKNESS: 0.125	FINISH: Powder	DWG. NO.: 4122-0-00-A
3042	Approx. Weight: 453.34 lbs	ICONIC ELEMENTS (ICONIC METALGEAR)		REV: SHEET:
	Surf. Area: 558.97 sq. ft.	<small>NO PART OF THIS DOCUMENT MAY BE REPRODUCED, STORED IN A RETRIEVAL SYSTEM, OR TRANSMITTED IN ANY FORM, WITHOUT THE WRITTEN PERMISSION OF Iconic Elements Inc. (ICONIC METALGEAR)</small>		A 3 OF 6

5

4

3

2

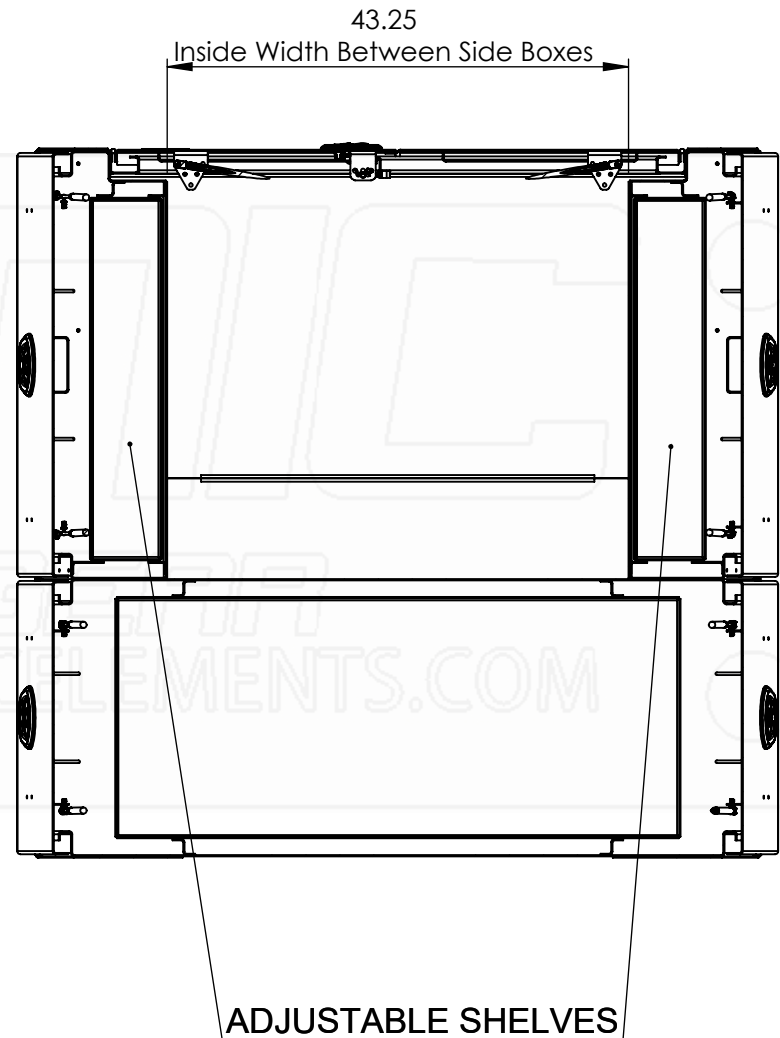
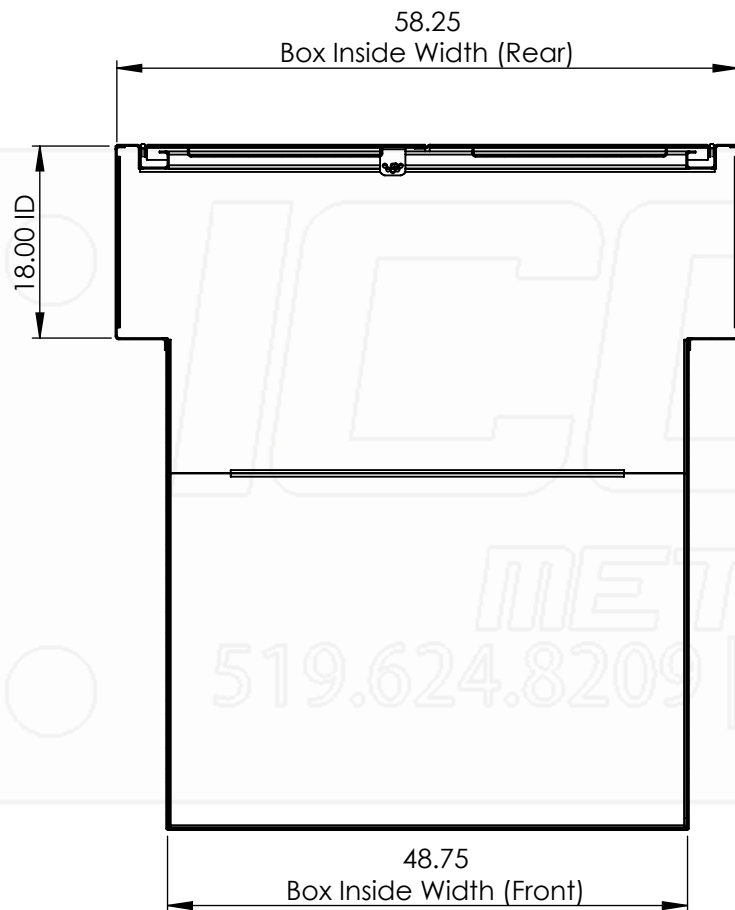
1

D

C

B

A



Part No.:

3042

MATERIAL: 5052 (Alum)

Approx. Weight: 453.34 lbs

Surf. Area: 558.97 sq. ft.

THICKNESS: 0.125

ICONIC ELEMENTS (ICONIC METALGEAR)

PROPRIETARY AND CONFIDENTIAL
NO PART OF THIS DOCUMENT MAY BE REPRODUCED, STORED IN A RETRIEVAL SYSTEM, OR TRANSMITTED IN ANY FORM, WITHOUT THE WRITTEN PERMISSION OF Iconic Elements Inc. (ICONIC METALGEAR)

FINISH: Powder

TITLE:

X-One Truck Pack (6-Door, Short)

DWG. NO.: 4122-0-00-A

REV: SHEET:

A 4 OF 6

5

4

3

2

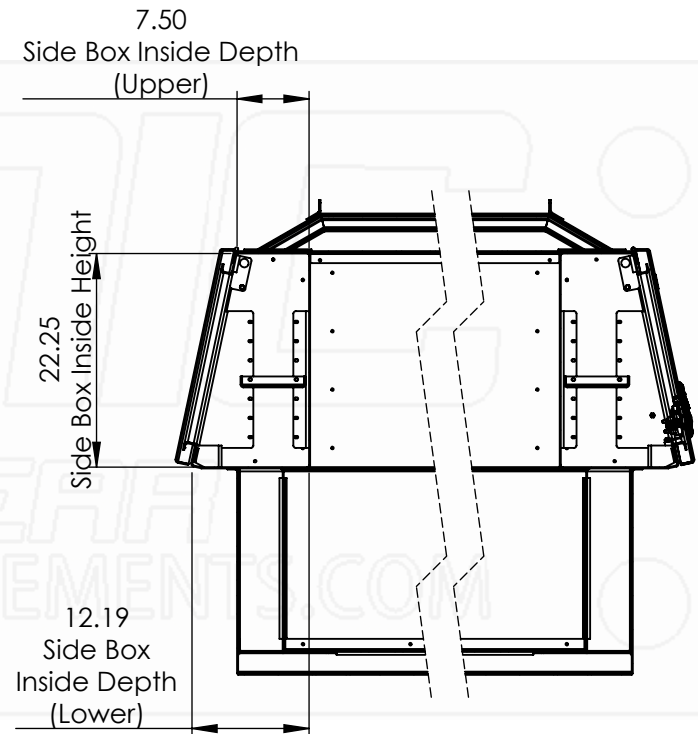
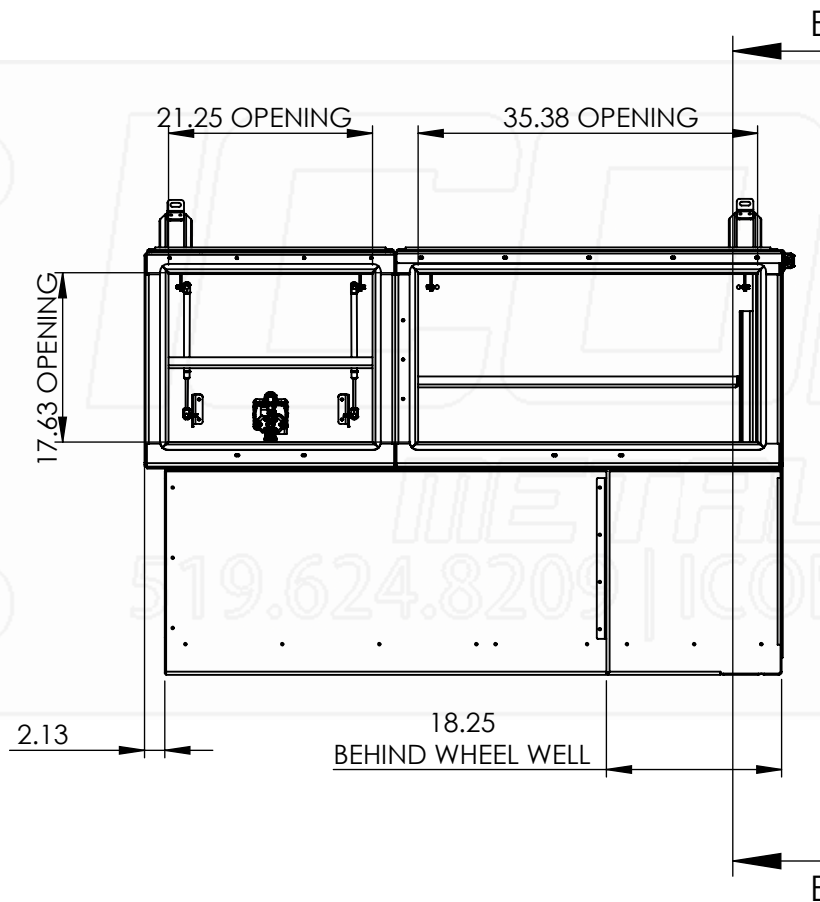
1

D

C

B

A



Part No.:

3042

MATERIAL: 5052 (Alum)

THICKNESS: 0.125

FINISH: Powder

DWG. NO.: 4122-0-00-A

Approx. Weight: 453.34 lbs

ICONIC ELEMENTS (ICONIC METALGEAR) TITLE:

REV: SHEET:

Surf. Area: 558.97 sq. ft.

PROPRIETARY AND CONFIDENTIAL
NO PART OF THIS DOCUMENT MAY BE REPRODUCED, STORED IN A RETRIEVAL SYSTEM, OR TRANSMITTED IN ANY FORM, WITHOUT THE WRITTEN PERMISSION OF Iconic Elements Inc. (ICONIC METALGEAR)

X-One Truck Pack (6-Door, Short) A

5 OF 6

5

4

3

2

1

D

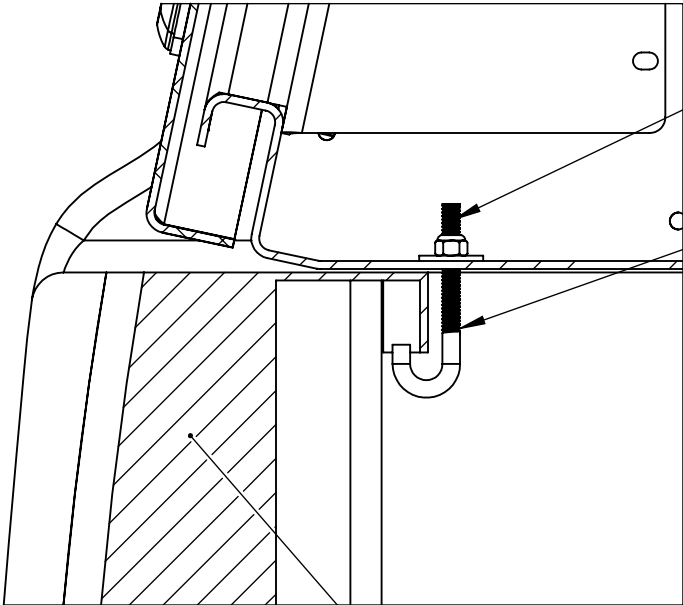
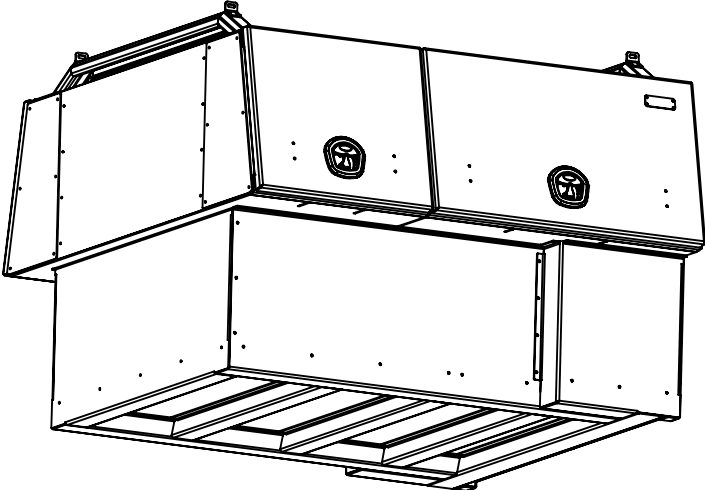
C

B

A

INSTALLATION GUIDE

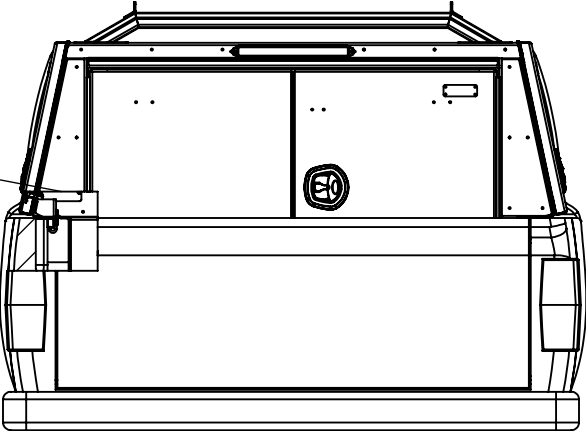
APPROX 3 HOURS INSTALL
(CONTACT AUTO SHOP FOR
HOOKING UP 3rd BRAKE LIGHT WIRING)



CUT EXCESS OFF

INCLUDED HARDWARE

TRUCK BED RAIL

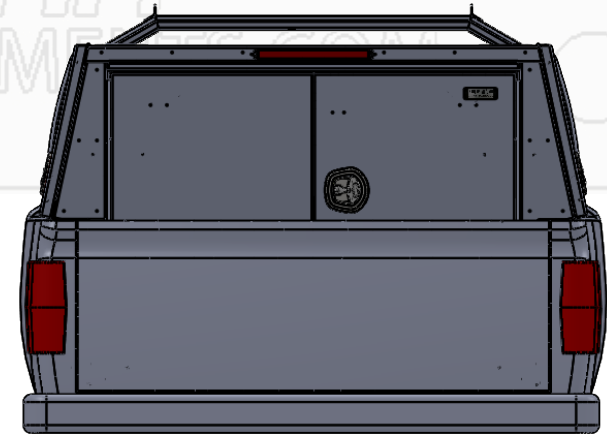
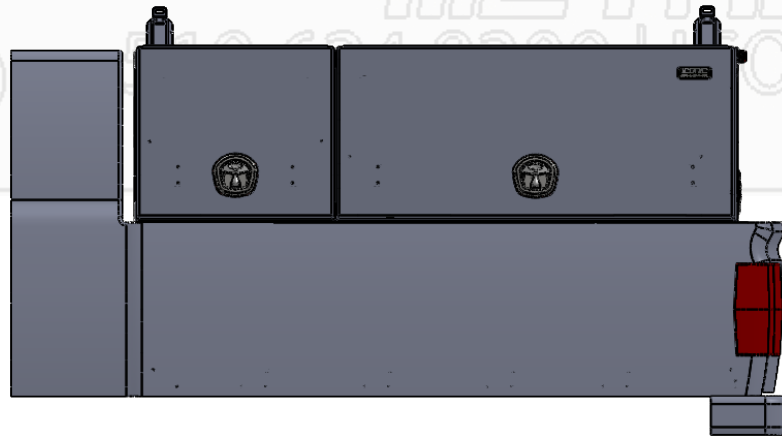
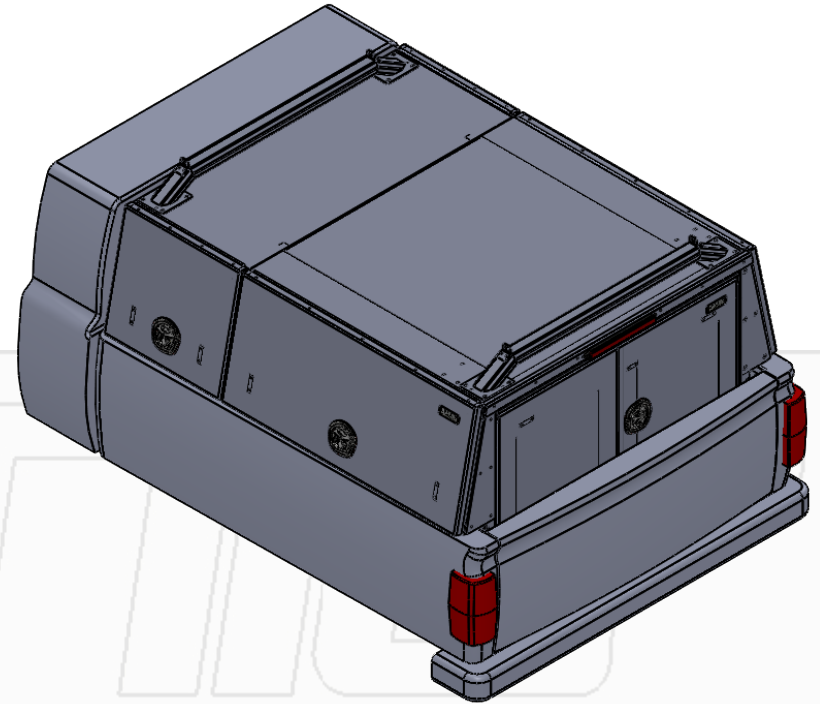


X-ONE Truck Pack

REGULAR BOX (APROX 6.6 FT.)

6 - DOOR

CAB HEIGHT



Part No.:

3039

MATERIAL: 5052 (Alum)

THICKNESS: 0.125

FINISH: Powder

DWG. NO.: 4123-0-00-A

Approx. Weight: 494.79 lbs

Surf. Area: 619.71 sq. ft.

ICONIC ELEMENTS (ICONIC METALGEAR) TITLE:

PROPRIETARY AND CONFIDENTIAL
NO PART OF THIS DOCUMENT MAY BE REPRODUCED, STORED IN A RETRIEVAL SYSTEM, OR TRANSMITTED IN ANY FORM, WITHOUT THE WRITTEN PERMISSION OF Iconic Elements Inc. (ICONIC METALGEAR)

X-One Truck Pack (6-Door,Reg.)

REV: SHEET:

A 1 OF 6

5

4

3

2

1

D

C

B

A

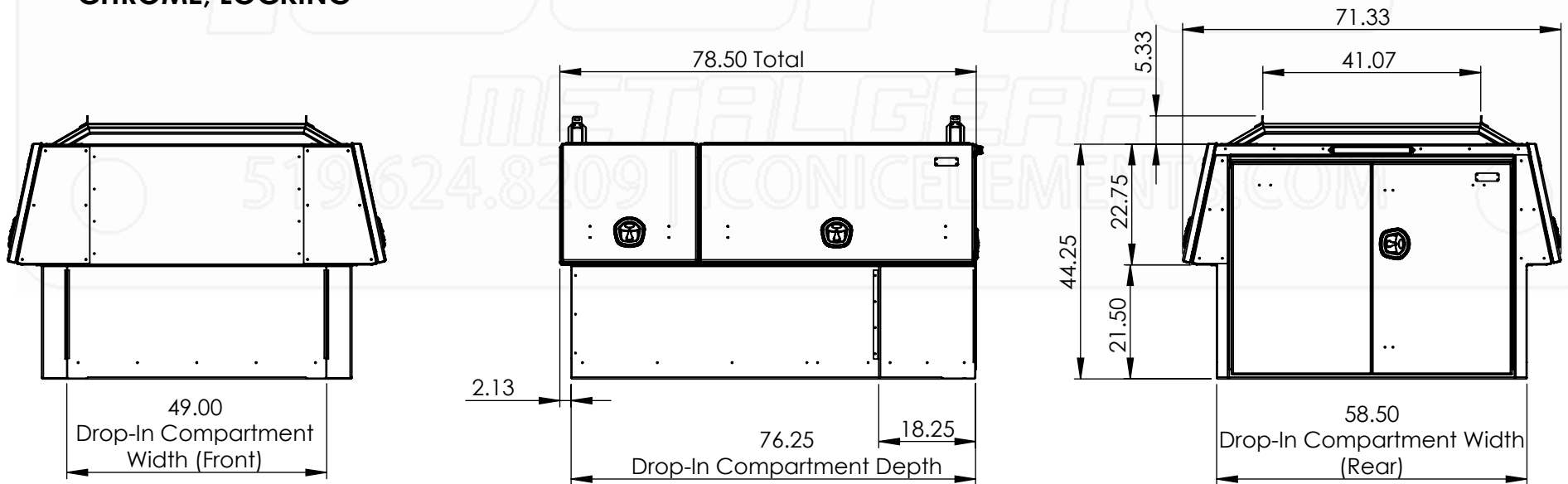
LADDER RACK CAPACITY
750LBS (EVENLY DISTRIBUTED)

ALL DOORS
HAVE GAS SHOCKS

3rd LED TAIL LIGHT

COATED PANEL

WHALE TAIL HANDLE
CHROME, LOCKING



Part No.:

3039

MATERIAL: 5052 (Alum)

THICKNESS: 0.125

FINISH: Powder

DWG. NO.: 4123-0-00-A

Approx. Weight: 494.38 lbs

Surf. Area: 619.71 sq. ft.

ICONIC ELEMENTS (ICONIC METALGEAR) TITLE:

PROPRIETARY AND CONFIDENTIAL
NO PART OF THIS DOCUMENT MAY BE REPRODUCED, STORED IN A RETRIEVAL SYSTEM, OR TRANSMITTED
IN ANY FORM, WITHOUT THE WRITTEN PERMISSION OF Iconic Elements Inc. (ICONIC METALGEAR)

X-One Truck Pack (6-Door, Reg.)

REV: SHEET:

A 2 OF 6

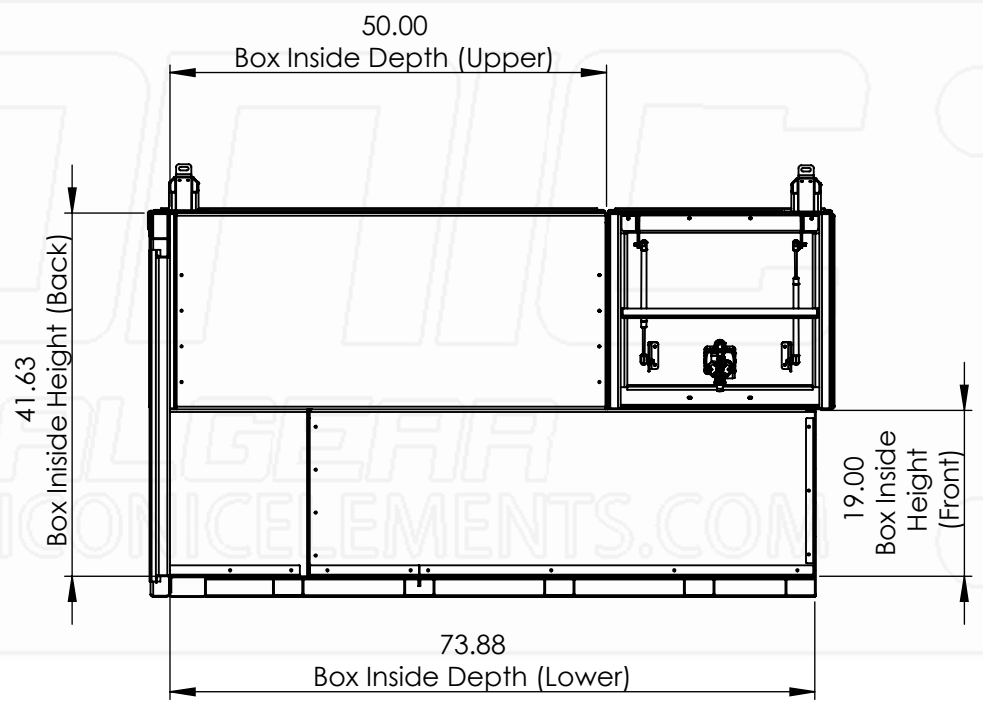
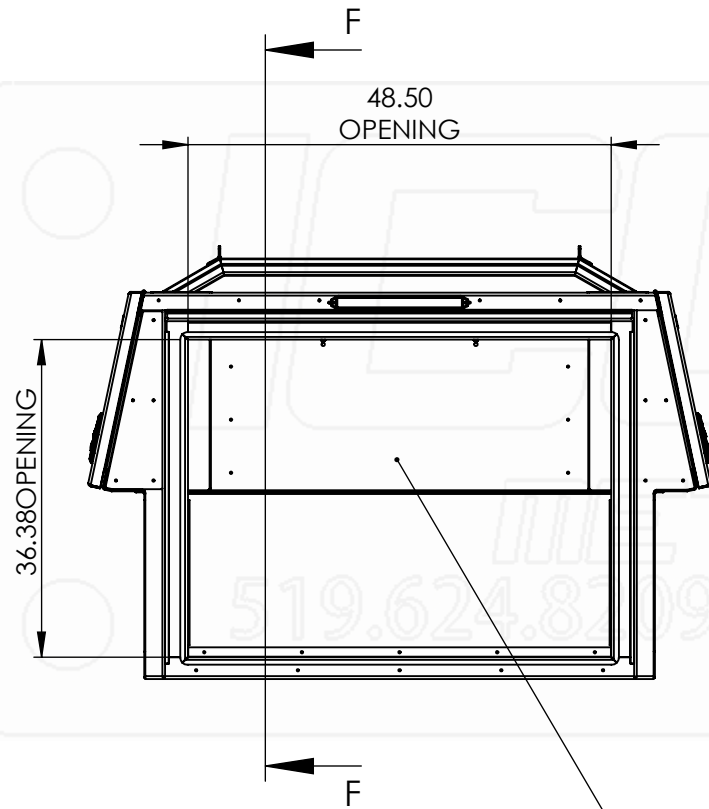
5

4

3

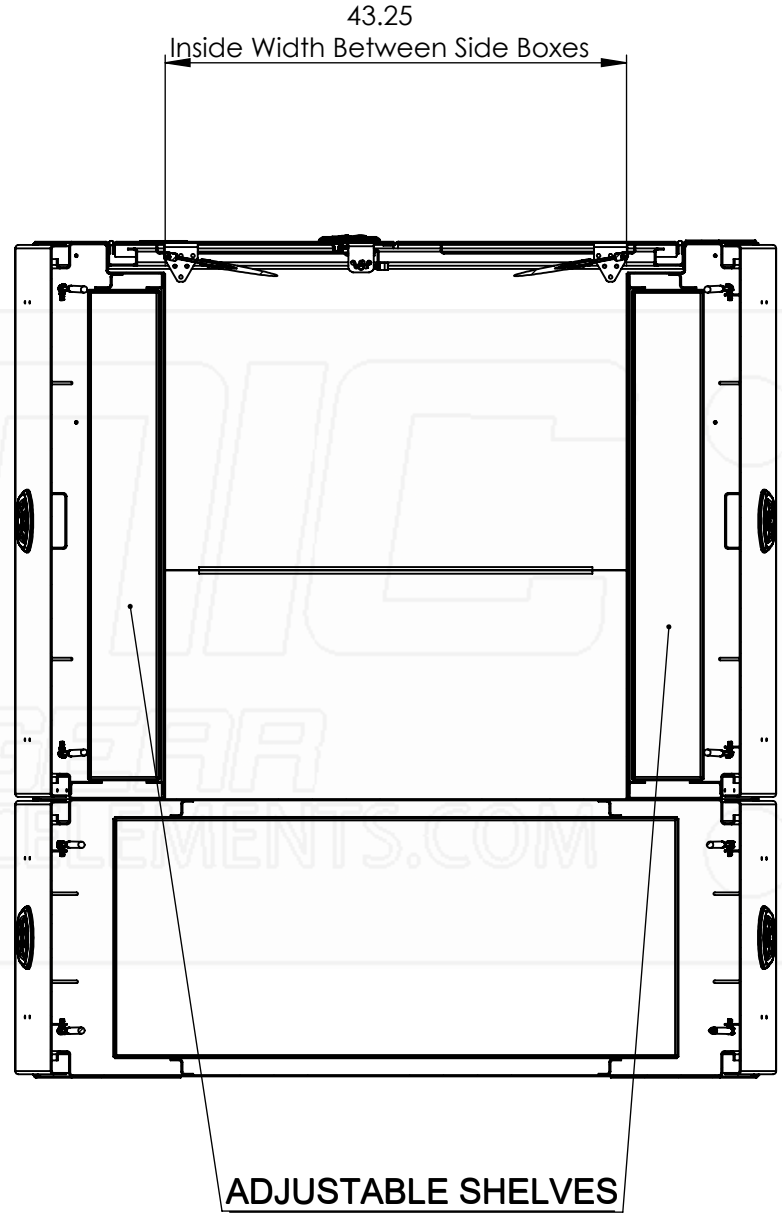
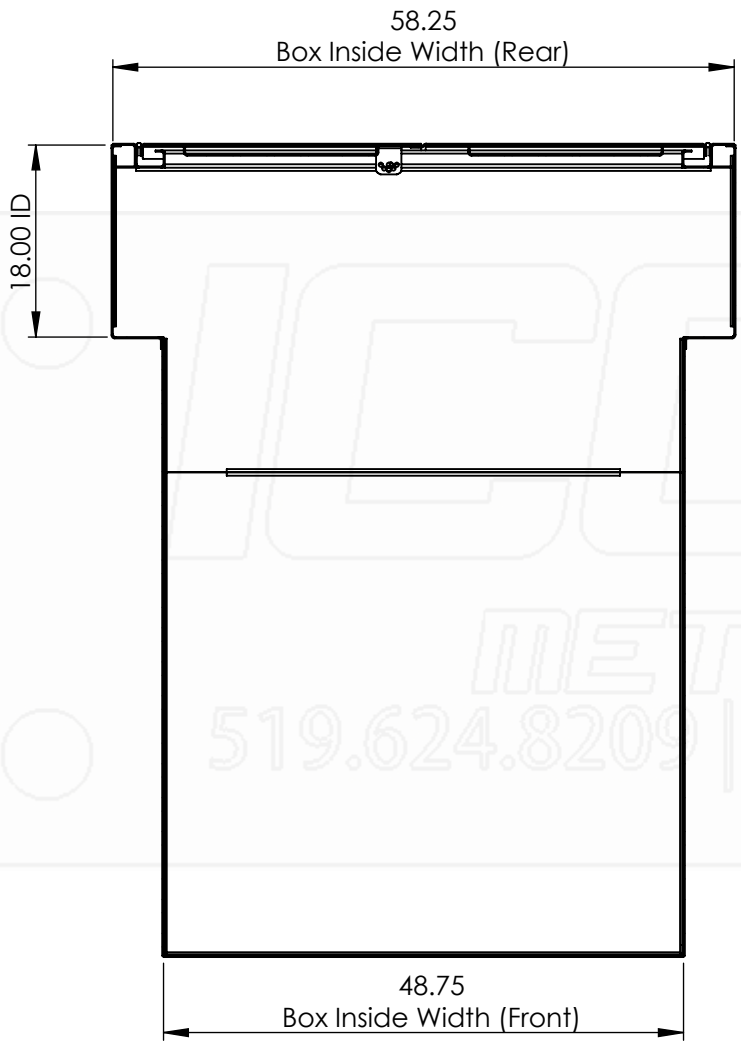
2

1



BACK DOOR OPENING = 48.5" WIDE x 36.38" HIGH

Part No.:	MATERIAL: 5052 (Alum)	THICKNESS: 0.125	FINISH: Powder	DWG. NO.: 4123-0-00-A
3039	Approx. Weight: 494.38 lbs	ICONIC ELEMENTS (ICONIC METALGEAR) TITLE:		REV: SHEET:
	Surf. Area: 619.71 sq. ft.	<small>PROPRIETARY AND CONFIDENTIAL NO PART OF THIS DOCUMENT MAY BE REPRODUCED, STORED IN A RETRIEVAL SYSTEM, OR TRANSMITTED IN ANY FORM, WITHOUT THE WRITTEN PERMISSION OF Iconic Elements Inc. (ICONIC METALGEAR)</small>		A 3 OF 6



D
C
B
A

Part No.:

3039

MATERIAL: 5052 (Alum)

THICKNESS: 0.125

FINISH: Powder

DWG. NO.: 4123-0-00-A

Approx. Weight: 494.38 lbs
Surf. Area: 619.71 sq. ft.

ICONIC ELEMENTS (ICONIC METALGEAR) TITLE:

PROPRIETARY AND CONFIDENTIAL
NO PART OF THIS DOCUMENT MAY BE REPRODUCED, STORED IN A RETRIEVAL SYSTEM, OR TRANSMITTED IN ANY FORM, WITHOUT THE WRITTEN PERMISSION OF Iconic Elements Inc. (ICONIC METALGEAR)

X-One Truck Pack (6-Door, Reg.)

REV: SHEET:
A 4 OF 6

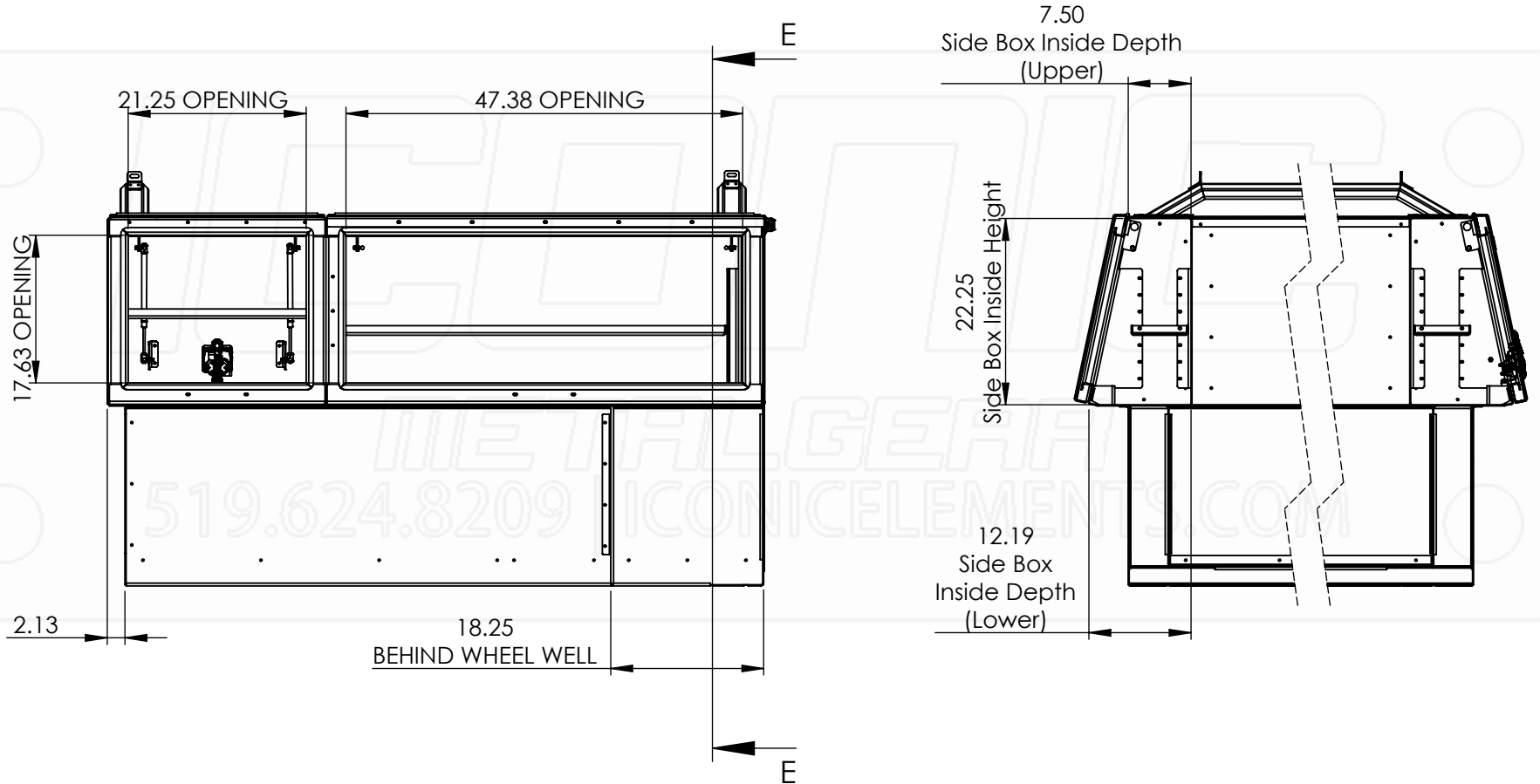
5

4

3

2

1



Part No.:

3039

MATERIAL: 5052 (Alum)

THICKNESS: 0.125

FINISH: Powder

DWG. NO.: 4123-0-00-A

Approx. Weight: 494.38 lbs

ICONIC ELEMENTS (ICONIC METALGEAR) TITLE:

REV: SHEET:

Surf. Area: 619.71 sq. ft.

PROPRIETARY AND CONFIDENTIAL
NO PART OF THIS DOCUMENT MAY BE REPRODUCED, STORED IN A RETRIEVAL SYSTEM, OR TRANSMITTED IN ANY FORM, WITHOUT THE WRITTEN PERMISSION OF Iconic Elements Inc. (ICONIC METALGEAR)

X-One Truck Pack (6-Door, Reg.)

A 5 OF 6

5

4

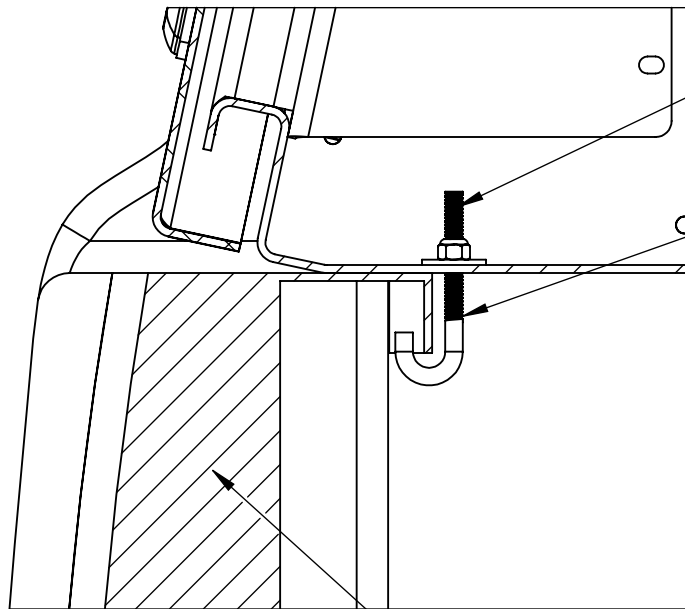
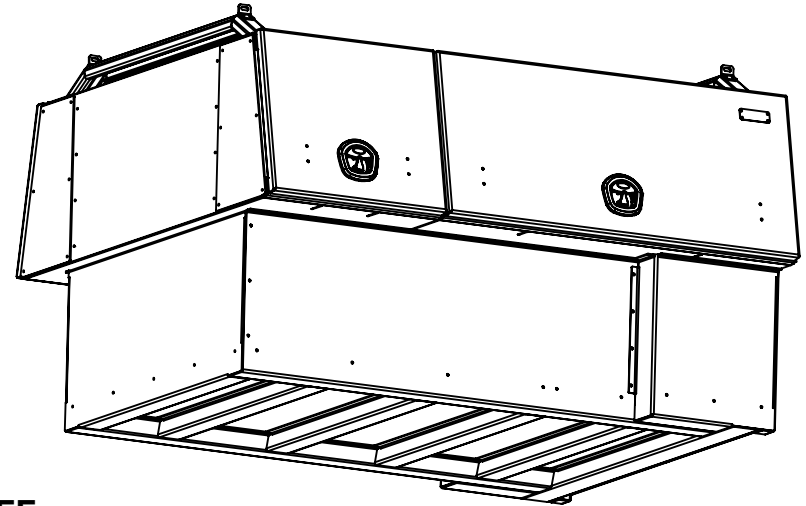
3

2

1

INSTALLATION GUIDE

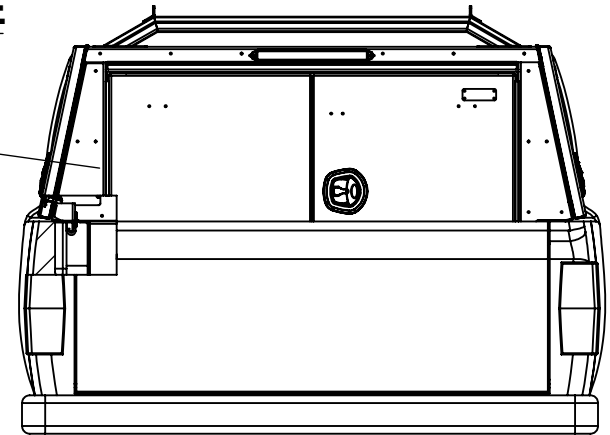
**APPROX 3 HOURS INSTALL
(CONTACT AUTO SHOP FOR
HOOKING UP 3rd BRAKE LIGHT WIRING)**



CUT EXCESS OFF

INCLUDED HARDWARE

TRUCK BED RAIL

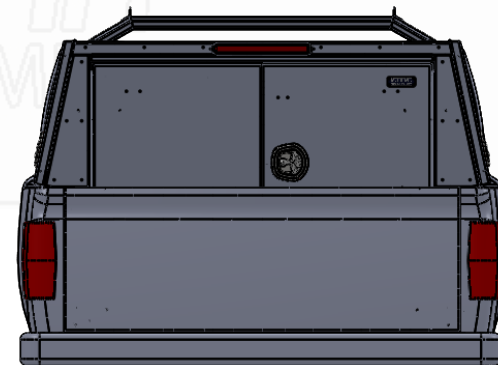
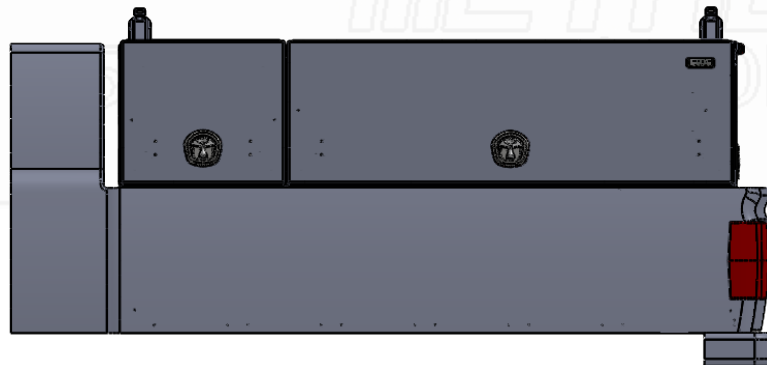
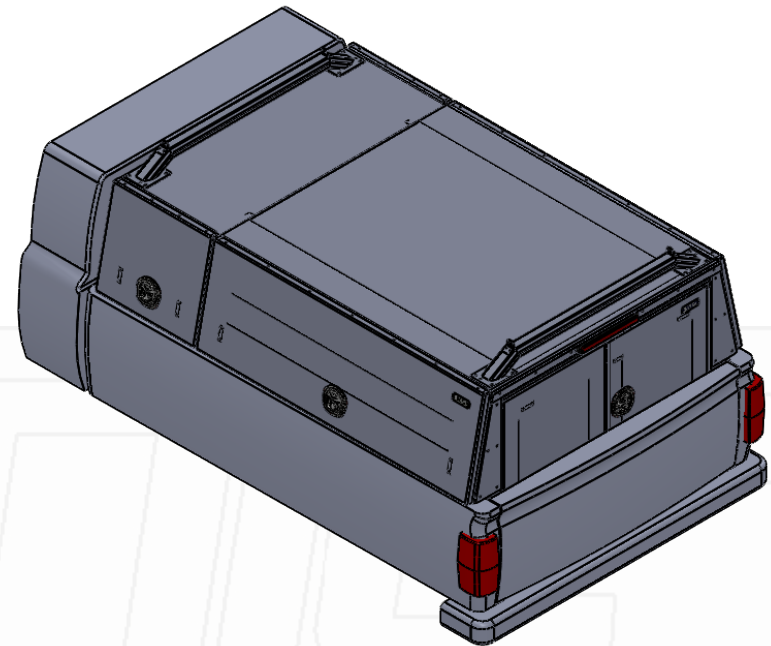


X-ONE Truck Pack

LONG BOX (APROX 8 FT.)

6 - DOOR

CAB HEIGHT



Part No.:

3040

MATERIAL: 5052 (Alum)

THICKNESS: 0.125

FINISH: Powder

DWG. NO.: 4124-0-00-A

Approx. Weight: 562.74 lbs

ICONIC ELEMENTS (ICONIC METALGEAR)

TITLE:

REV: SHEET:

Surf. Area: 728.83 sq. ft.

PROPRIETARY AND CONFIDENTIAL
NO PART OF THIS DOCUMENT MAY BE REPRODUCED, STORED IN A RETRIEVAL SYSTEM, OR TRANSMITTED IN ANY FORM, WITHOUT THE WRITTEN PERMISSION OF Iconic Elements Inc. (ICONIC METALGEAR)

X-One Truck Pack (6-Door, Long)

A 1 OF 6

5

4

3

2

1

D

C

B

A

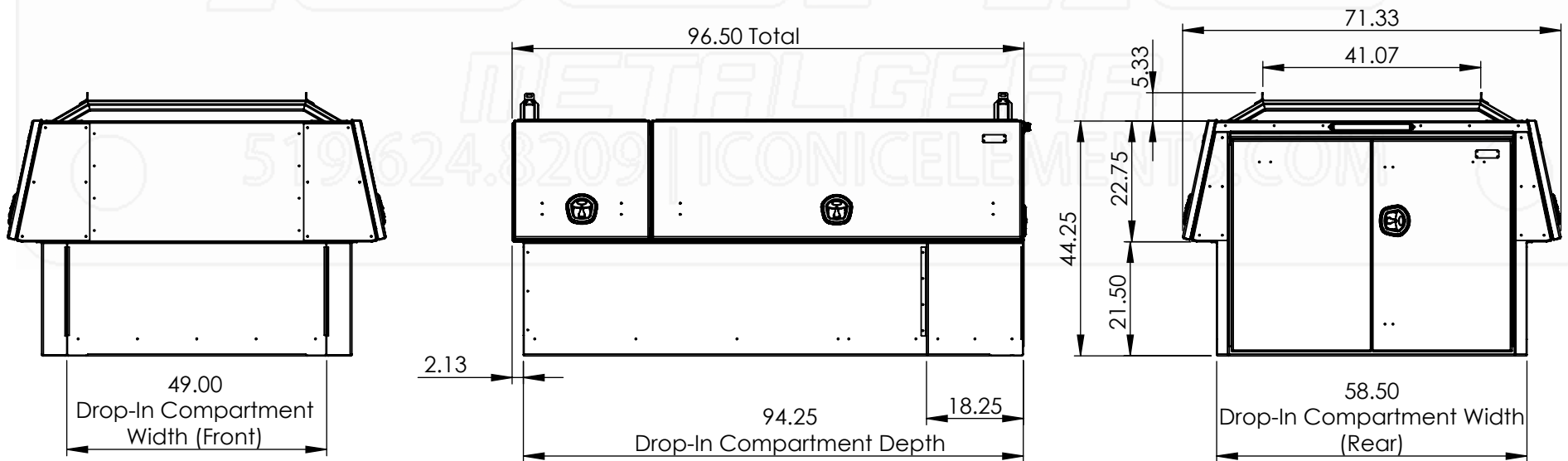
**LADDER RACK CAPACITY
750LBS (EVENLY DISTRIBUTED)**

**ALL DOORS
HAVE GAS SHOCKS**

3rd LED TAIL LIGHT

COATED PANEL

**WHALE TAIL HANDLE
CHROME, LOCKING**



Part No.:

3040

MATERIAL: 5052 (Alum)

THICKNESS: 0.125

FINISH: Powder

DWG. NO.: 4124-0-00-A

Approx. Weight: 562.74 lbs

Surf. Area: 726.87 sq. ft.

ICONIC ELEMENTS (ICONIC METALGEAR)

PROPRIETARY AND CONFIDENTIAL
NO PART OF THIS DOCUMENT MAY BE REPRODUCED, STORED IN A RETRIEVAL SYSTEM, OR TRANSMITTED
IN ANY FORM, WITHOUT THE WRITTEN PERMISSION OF Iconic Elements Inc. (ICONIC METALGEAR)

TITLE:

X-One Truck Pack (6-Door, Long)

REV: SHEET:

A 2 OF 6

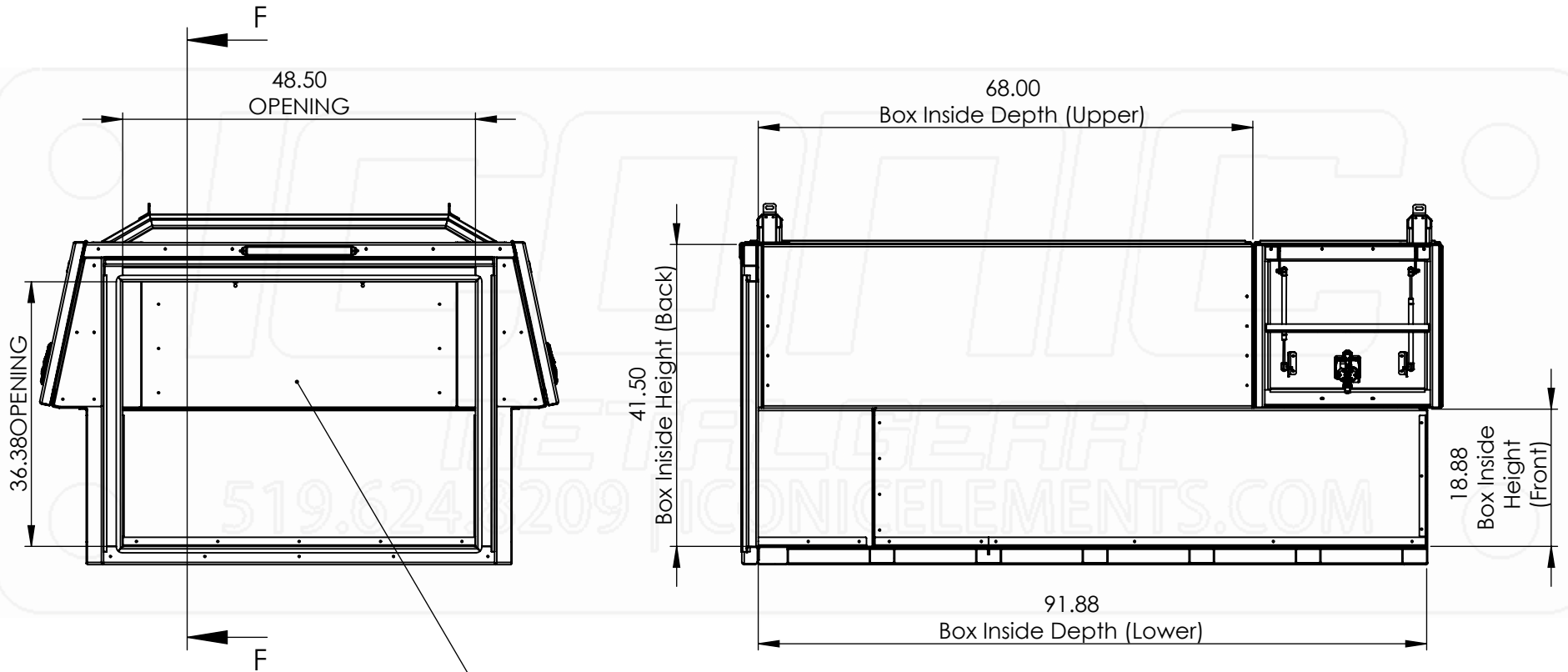
5

4

3

2

1



BACK DOOR OPENING = 48.5" WIDE x 36.38" HIGH

Part No.:	MATERIAL: 5052 (Alum)	THICKNESS: 0.125	FINISH: Powder	DWG. NO.: 4124-0-00-A
3040	Approx. Weight: 562.74 lbs	ICONIC ELEMENTS (ICONIC METALGEAR)		REV: SHEET:
	Surf. Area: 726.87 sq. ft.	<small>NO PART OF THIS DOCUMENT MAY BE REPRODUCED, STORED IN A RETRIEVAL SYSTEM, OR TRANSMITTED IN ANY FORM, WITHOUT THE WRITTEN PERMISSION OF Iconic Elements Inc. (ICONIC METALGEAR)</small>		A 3 OF 6

5

4

3

2

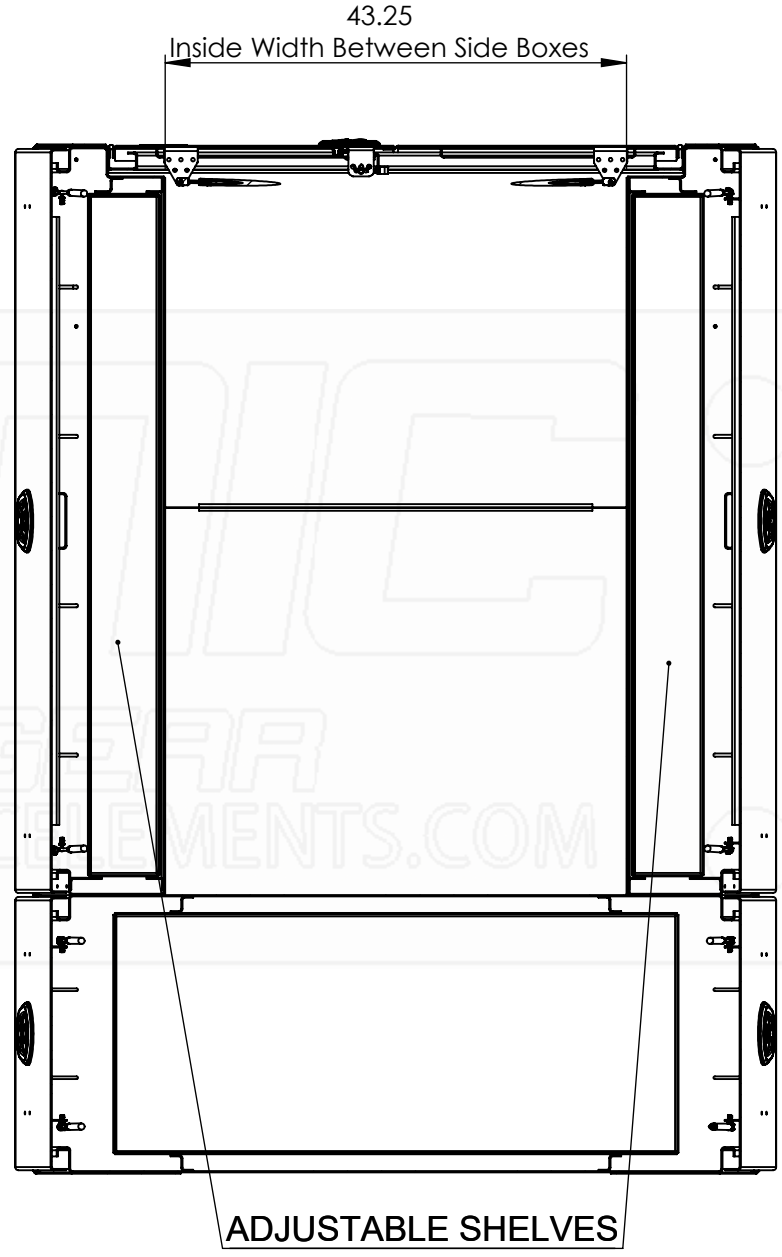
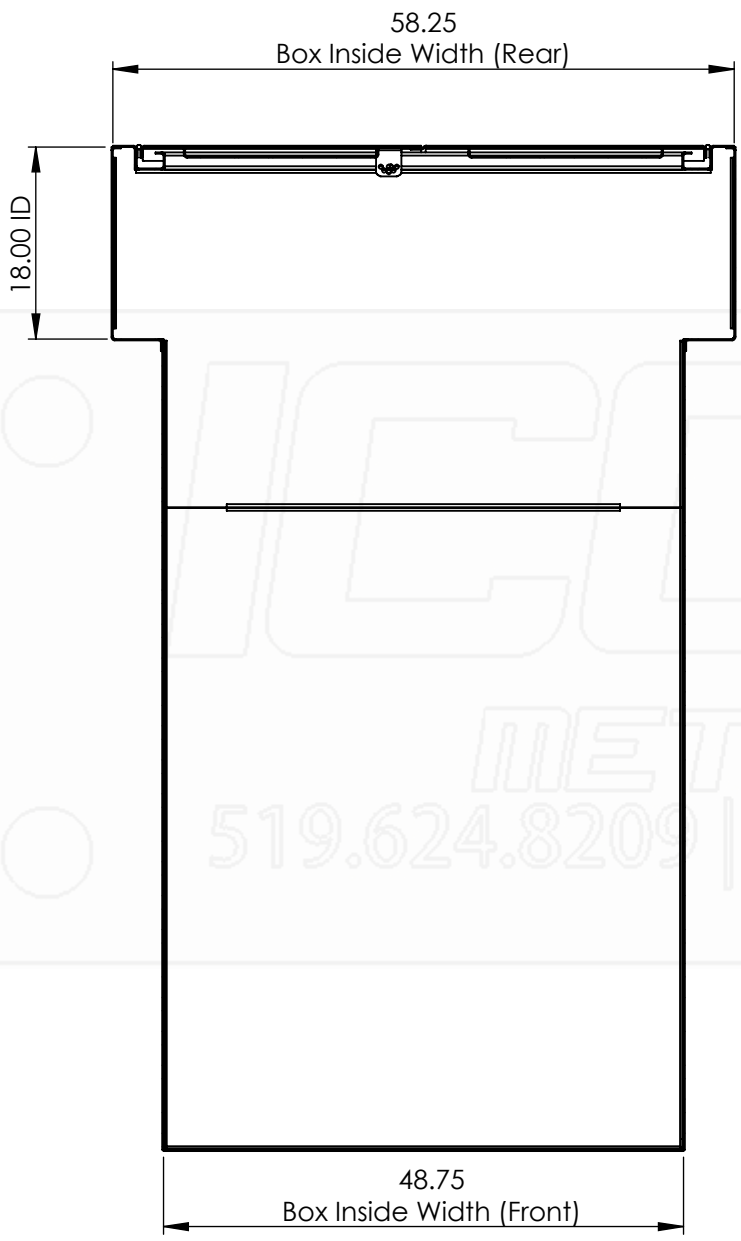
1

D

C

B

A



D
C
B
A

Part No.:	MATERIAL: 5052 (Alum)	THICKNESS: 0.125	FINISH: Powder	DWG. NO.: 4124-0-00-A
3040	Approx. Weight: 562.74 lbs	ICONIC ELEMENTS (ICONIC METALGEAR) TITLE:		REV: SHEET:
	Surf. Area: 726.87 sq. ft.	<small>PROPRIETARY AND CONFIDENTIAL NO PART OF THIS DOCUMENT MAY BE REPRODUCED, STORED IN A RETRIEVAL SYSTEM, OR TRANSMITTED IN ANY FORM, WITHOUT THE WRITTEN PERMISSION OF Iconic Elements Inc. (ICONIC METALGEAR)</small>		A 4 OF 6

X-One Truck Pack (6-Door, Long)

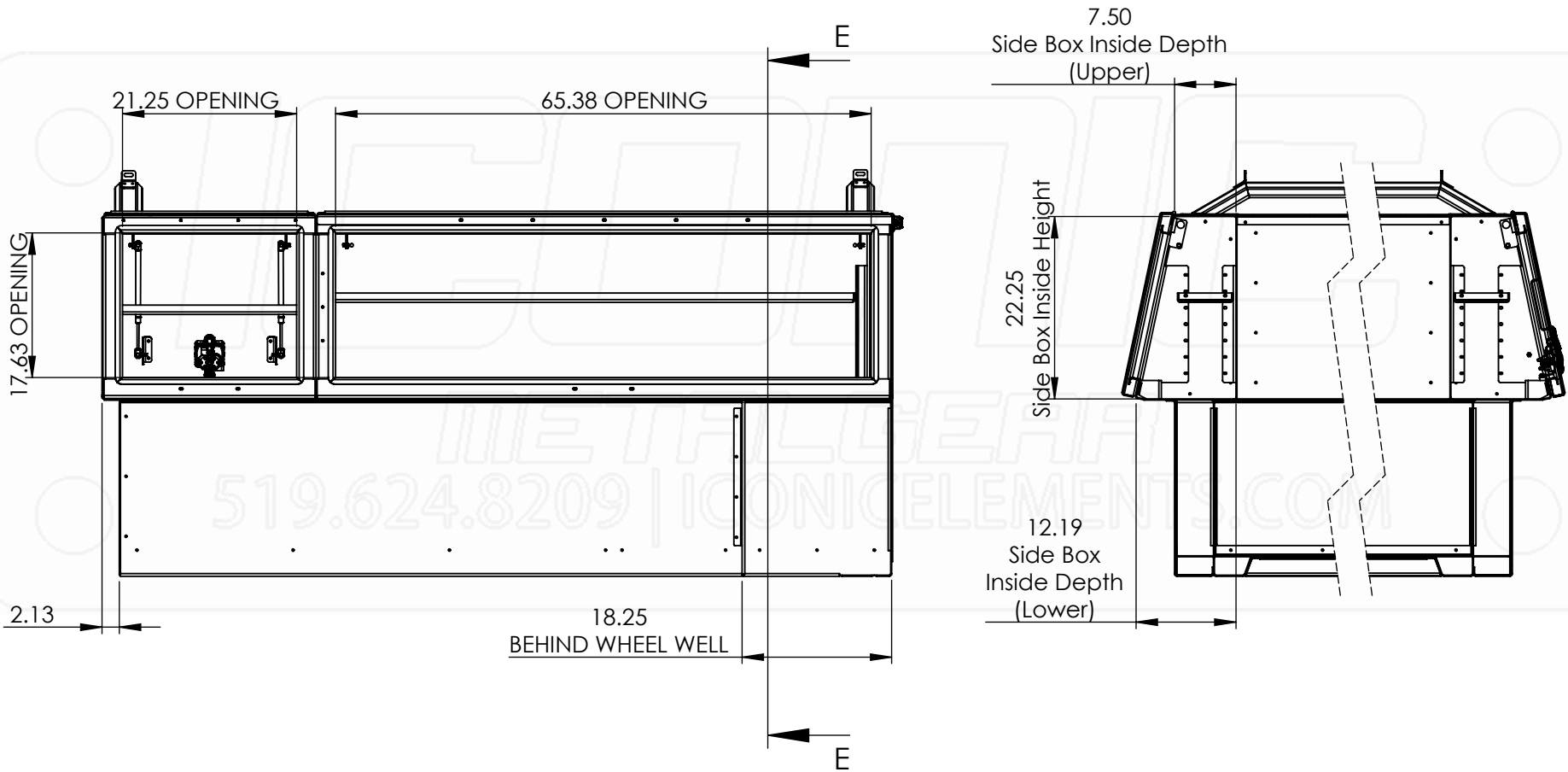
5

4

3

2

1



Part No.:

3040

MATERIAL: 5052 (Alum)

THICKNESS: 0.125

FINISH: Powder

DWG. NO.: 4124-0-00-A

Approx. Weight: 562.74 lbs

ICONIC ELEMENTS (ICONIC METALGEAR) TITLE:

REV: SHEET:

Surf. Area: 726.87 sq. ft.

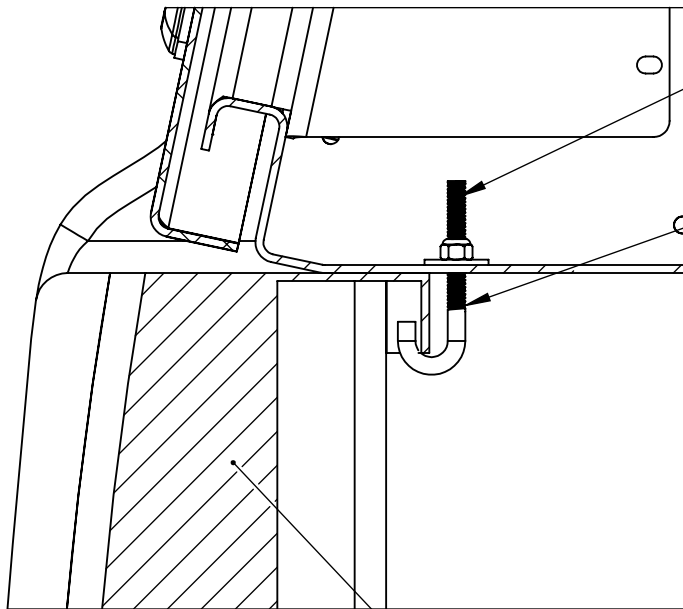
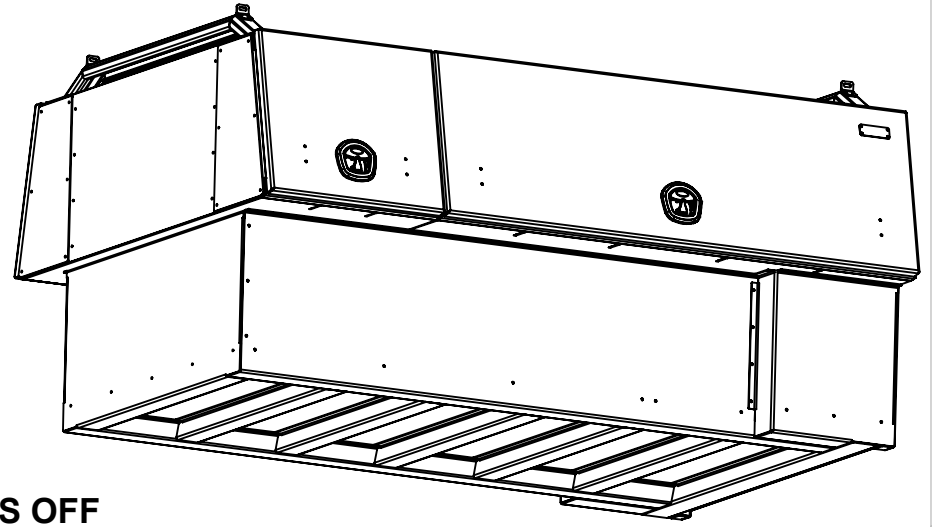
PROPRIETARY AND CONFIDENTIAL
NO PART OF THIS DOCUMENT MAY BE REPRODUCED, STORED IN A RETRIEVAL SYSTEM, OR TRANSMITTED IN ANY FORM, WITHOUT THE WRITTEN PERMISSION OF Iconic Elements Inc. (ICONIC METALGEAR)

X-One Truck Pack (6-Door, Long) A

5 OF 6

INSTALLATION GUIDE

**APPROX 3 HOURS INSTALL
(CONTACT AUTO SHOP FOR
HOOKING UP 3rd BRAKE LIGHT WIRING)**



CUT EXCESS OFF

INCLUDED HARDWARE

TRUCK BED RAIL

