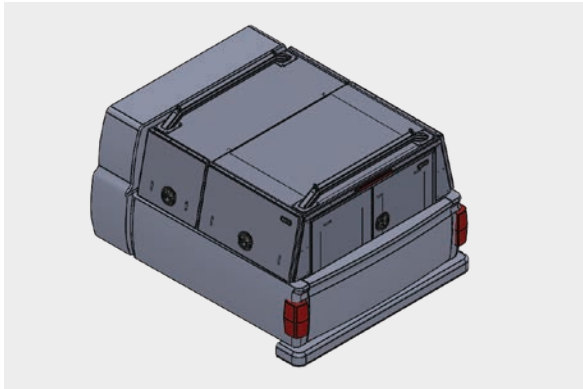




X-ONE TRUCK CAP
6-DOOR

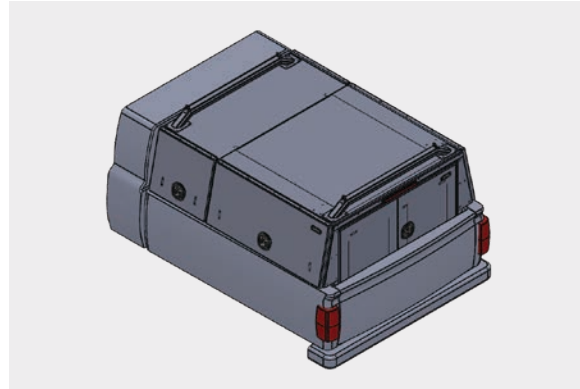


BED SIZES:



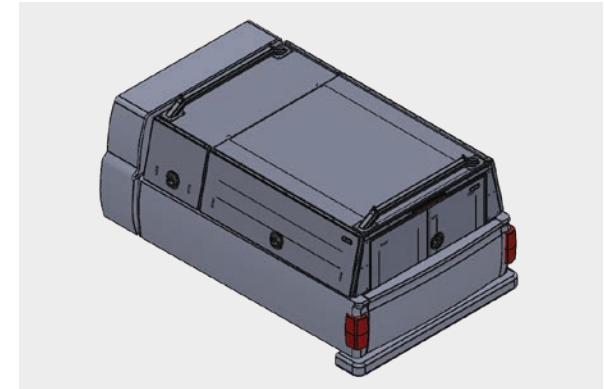
SHORT BOX (PAGE 3)

[GO TO SHORT BOX](#)



REGULAR BOX (PAGE 9)

[GO TO REGULAR BOX](#)



LONG BOX (PAGE 15)

[GO TO LONG BOX](#)



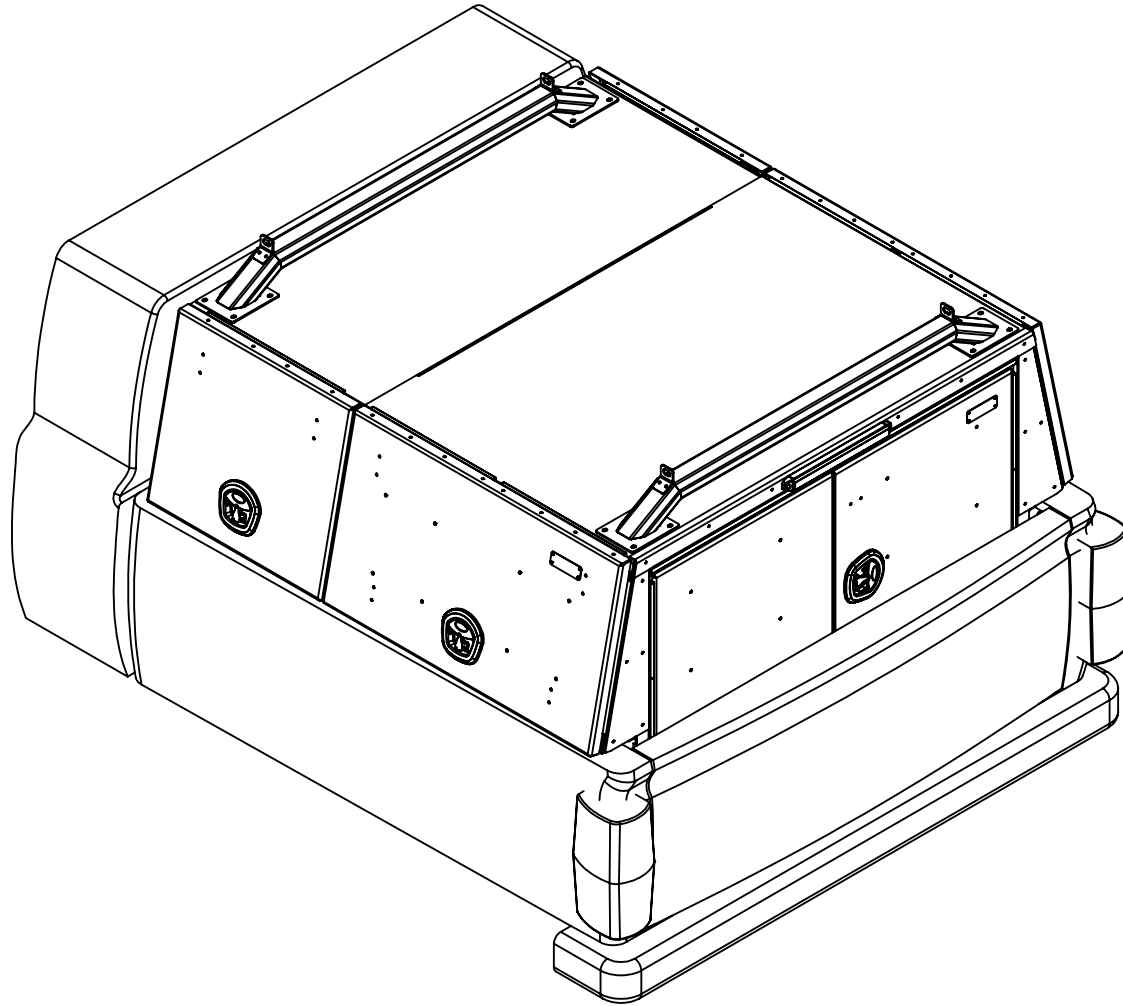
NEW! FLIP UP REAR DOOR

Choose to swap the X-ONE's standard rear barn doors for a single flip-up door. **Now available for every size and configuration.**

X-ONE CONFIGURATIONS:
6-DOOR VERSION



X-ONE Truck Pack
SHORT BOX (APROX 5.5 FT.)
6 - DOOR
CAB HEIGHT



D

C

B

A

5

4

3

2

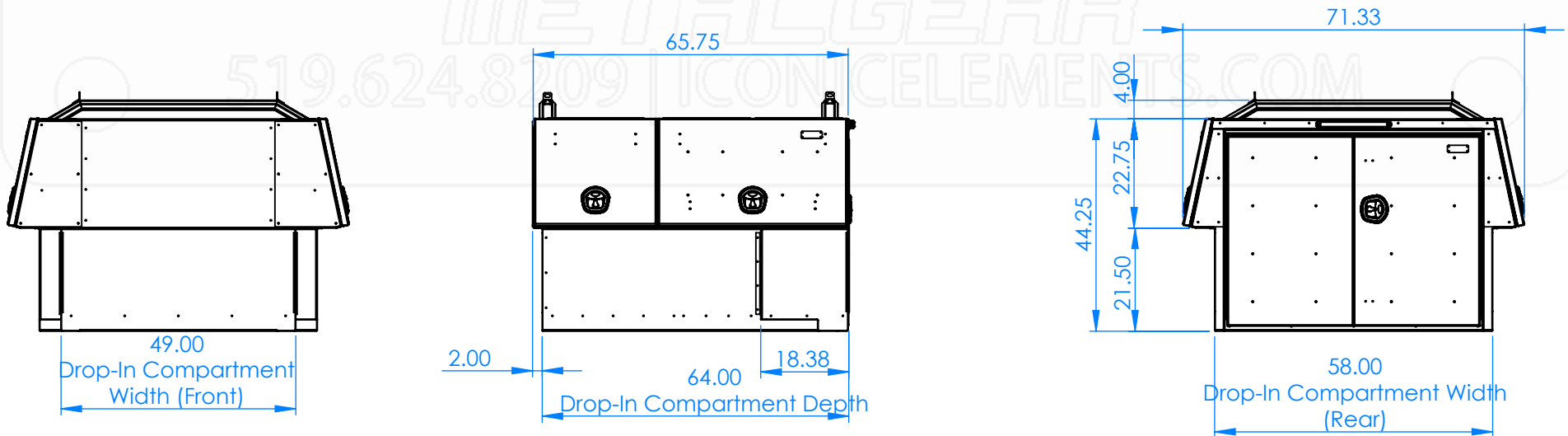
1

**LADDER RACK CAPACITY
750LBS (EVENLY DISTRIBUTED)**

**ALL DOORS
HAVE GAS SHOCKS**

3rd LED TAIL LIGHT

**WHALE TAIL HANDLE
CHROME**



Part No.:

3042

MATERIAL: 5052 (Alum)

THICKNESS: 0.125

FINISH: Powder

DWG. NO.: 4122-0-00-B

Approx. Weight: 540.45lbs
Surf. Area: 572.00 sq. ft.

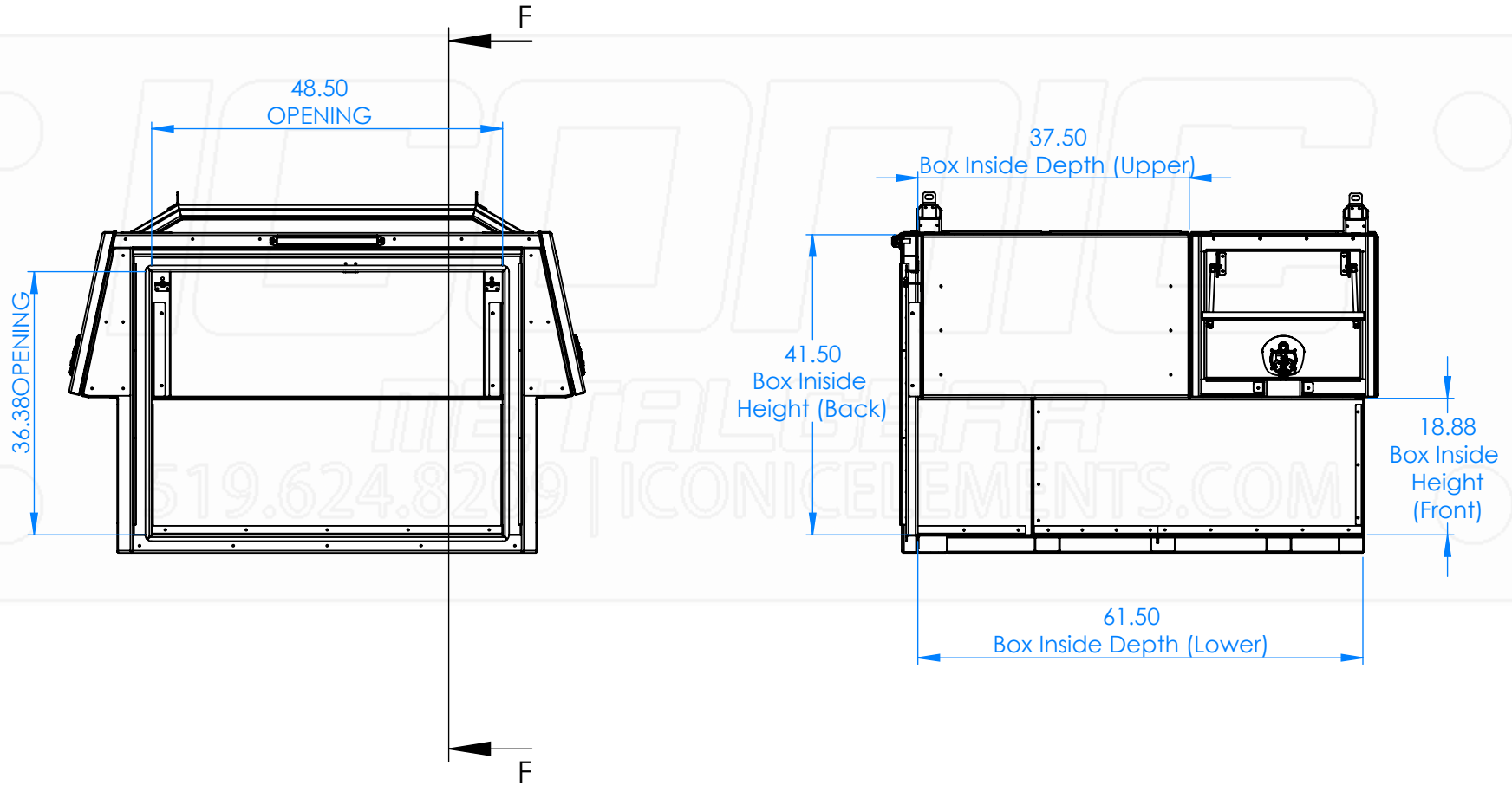
ICONIC ELEMENTS (ICONIC METALGEAR) TITLE:

PROPRIETARY AND CONFIDENTIAL
NO PART OF THIS DOCUMENT MAY BE REPRODUCED, STORED IN A RETRIEVAL SYSTEM, OR TRANSMITTED IN ANY FORM, WITHOUT THE WRITTEN PERMISSION OF Iconic Elements Inc. (ICONIC METALGEAR)

X-One Truck Pack (6 Door, Short)

REV: SHEET:

B 2 OF 6



Part No.:

3042

MATERIAL: 5052 (Alum)

Approx. Weight: 540.45 lbs

Surf. Area: 572.00 sq. ft.

THICKNESS: 0.125

ICONIC ELEMENTS (ICONIC METALGEAR)

PROPRIETARY AND CONFIDENTIAL
NO PART OF THIS DOCUMENT MAY BE REPRODUCED, STORED IN A RETRIEVAL SYSTEM, OR TRANSMITTED IN ANY FORM, WITHOUT THE WRITTEN PERMISSION OF Iconic Elements Inc. (ICONIC METALGEAR)

FINISH: Powder

TITLE:

X-One Truck Pack (6 Door, Short)

DWG. NO.: 4122-0-00-B

REV: SHEET:

B 3 OF 6

5

4

3

2

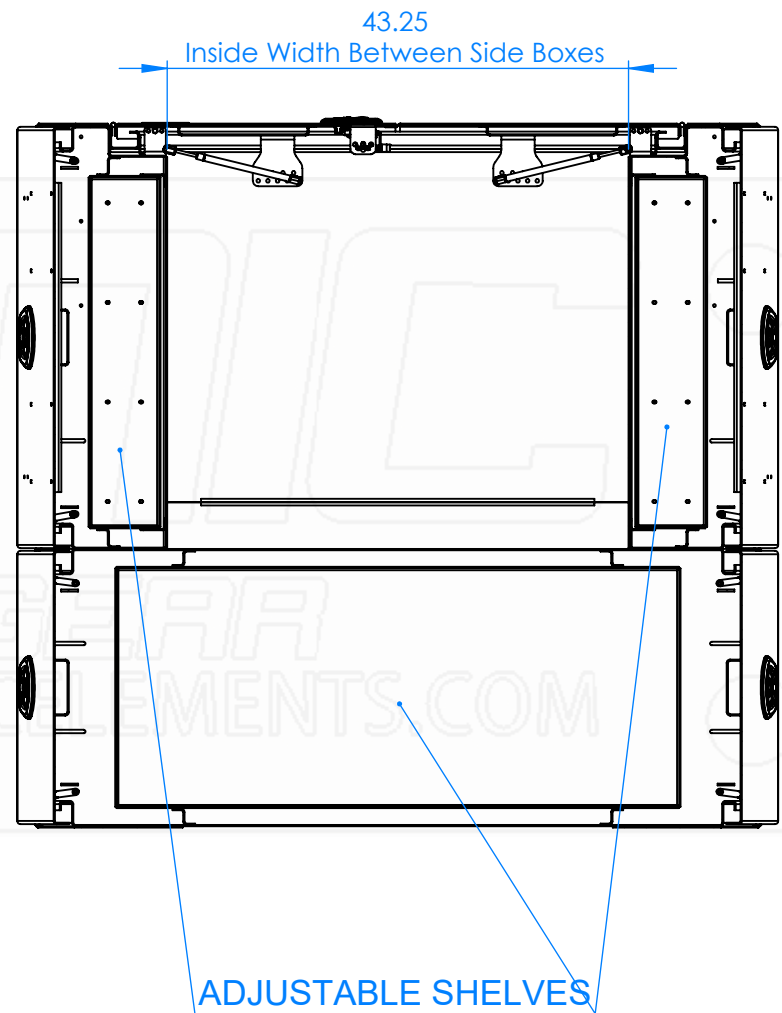
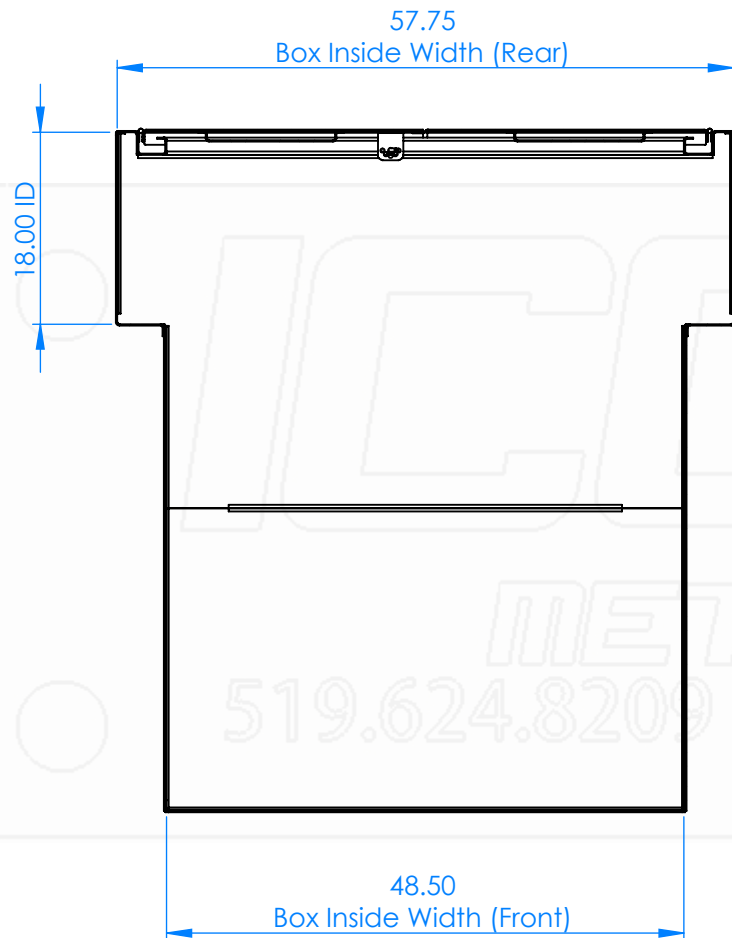
1

D

C

B

A



Part No.:

3042

MATERIAL: 5052 (Alum)

THICKNESS: 0.125

FINISH: Powder

DWG. NO.: 4122-0-00-B

Approx. Weight: 540.45 lbs

ICONIC ELEMENTS (ICONIC METALGEAR) TITLE:

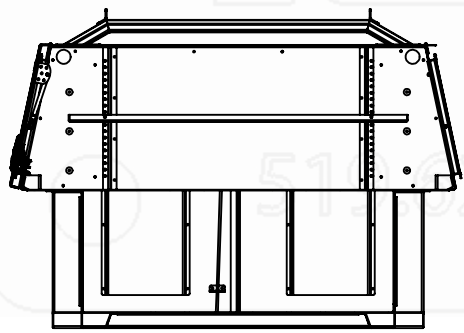
REV: SHEET:

Surf. Area: 572.00 sq. ft.

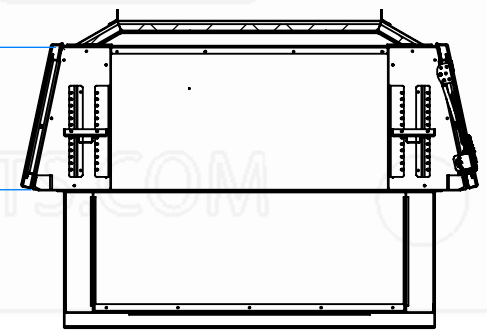
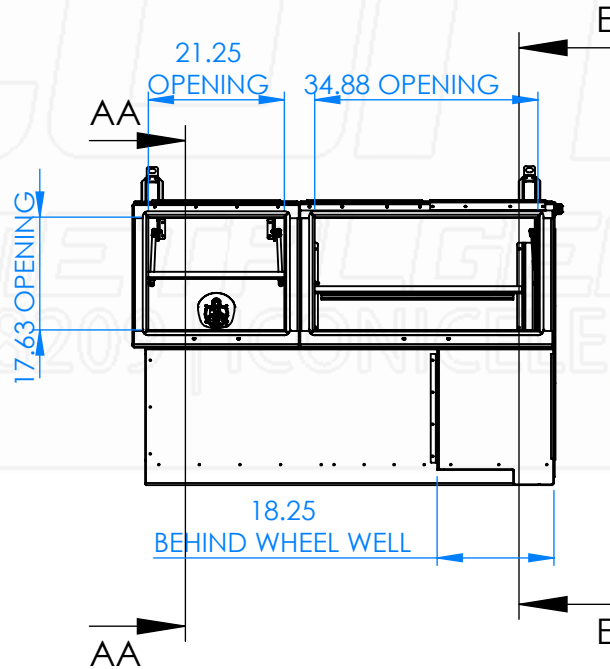
PROPRIETARY AND CONFIDENTIAL
NO PART OF THIS DOCUMENT MAY BE REPRODUCED, STORED IN A RETRIEVAL SYSTEM, OR TRANSMITTED IN ANY FORM, WITHOUT THE WRITTEN PERMISSION OF Iconic Elements Inc. (ICONIC METALGEAR)

X-One Truck Pack (6 Door, Short)

B 4 OF 6



SECTION AA-AA
SCALE 1 : 30



Part No.:

3042

MATERIAL: 5052 (Alum)

Approx. Weight: 540.45 lbs

Surf. Area: 572.00 sq. ft.

THICKNESS: 0.125

ICONIC ELEMENTS (ICONIC METALGEAR)

PROPRIETARY AND CONFIDENTIAL
NO PART OF THIS DOCUMENT MAY BE REPRODUCED, STORED IN A RETRIEVAL SYSTEM, OR TRANSMITTED IN ANY FORM, WITHOUT THE WRITTEN PERMISSION OF Iconic Elements Inc. (ICONIC METALGEAR)

FINISH: Powder

TITLE:

X-One Truck Pack (6 Door, Short)

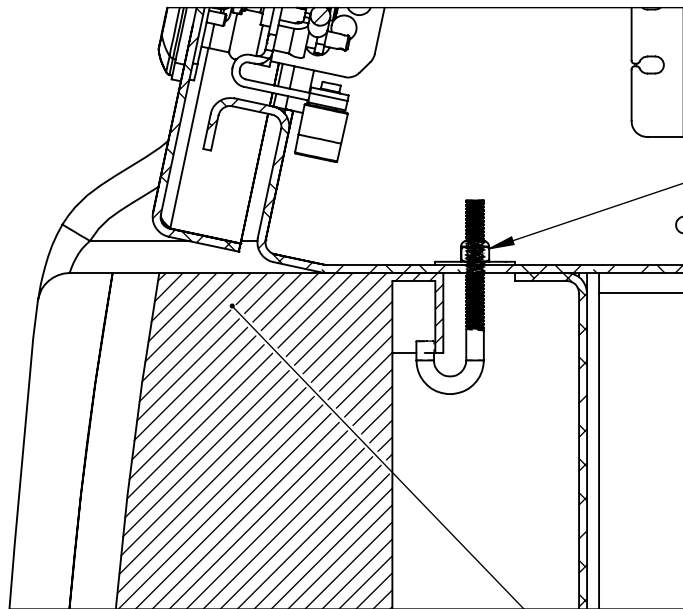
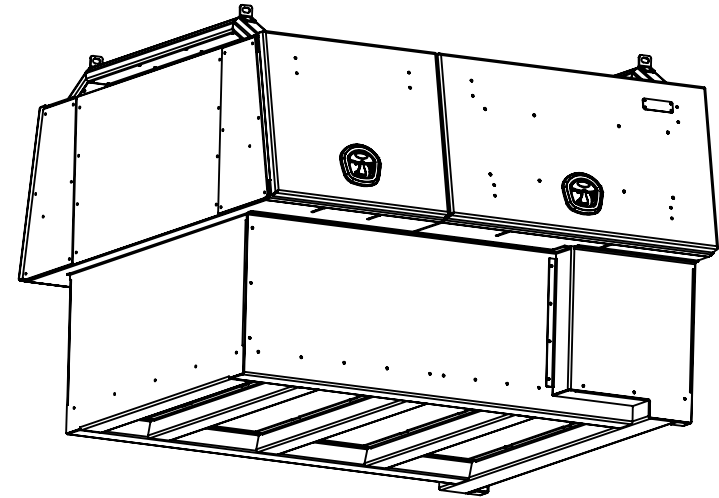
DWG. NO.: 4122-0-00-B

REV: SHEET:

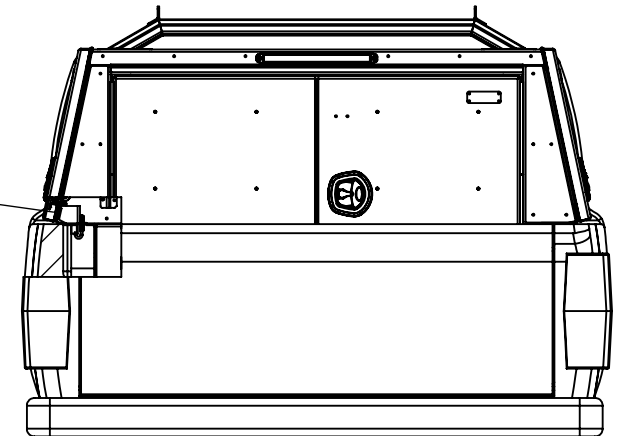
B 5 OF 6

INSTALLATION GUIDE

APPROX 3 HOURS INSTALL
(CONTACT AUTO SHOP FOR
HOOKING UP 3rd BRAKE LIGHT WIRING)



INCLUDED HARDWARE



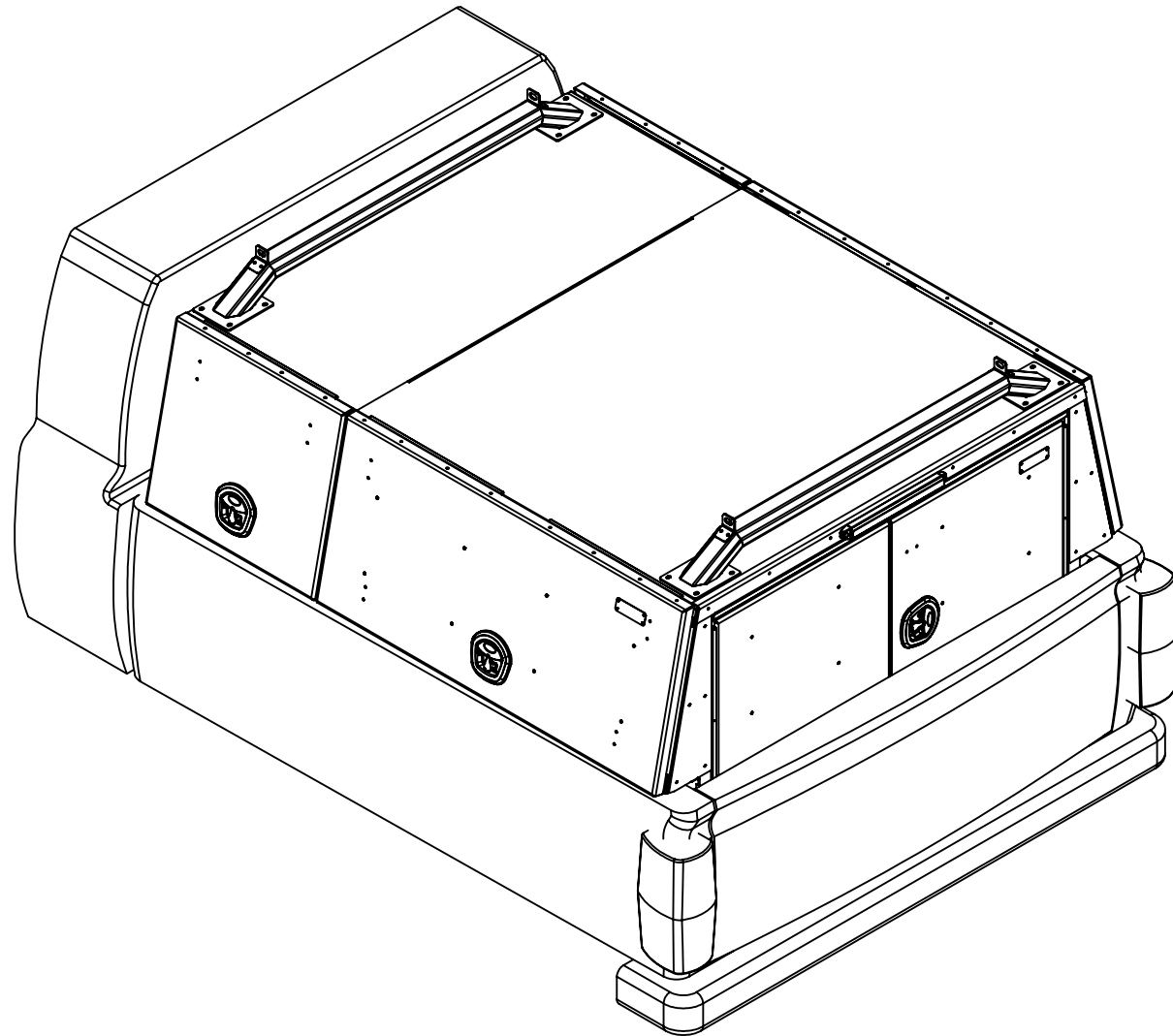
TRUCK BED RAIL

X-ONE Truck Pack

REGULAR BOX (APROX 6.6 FT.)

6 - DOOR

CAB HEIGHT



5

4

3

2

1

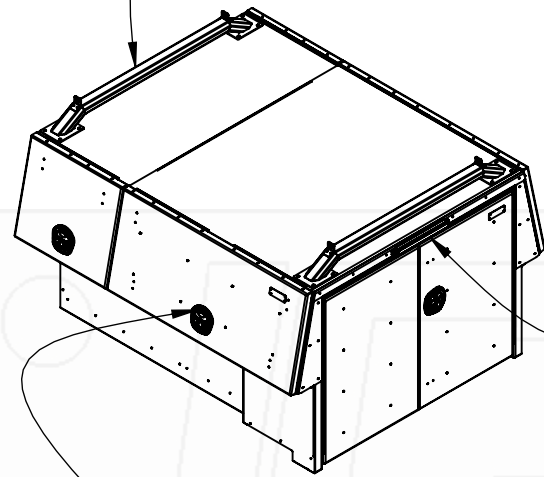
D

C

B

A

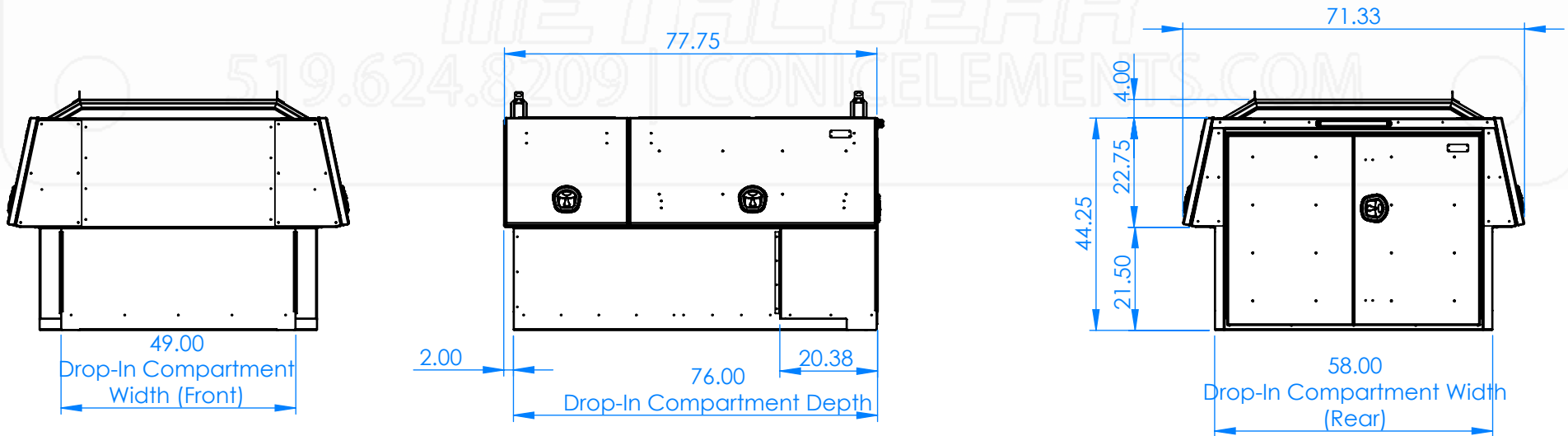
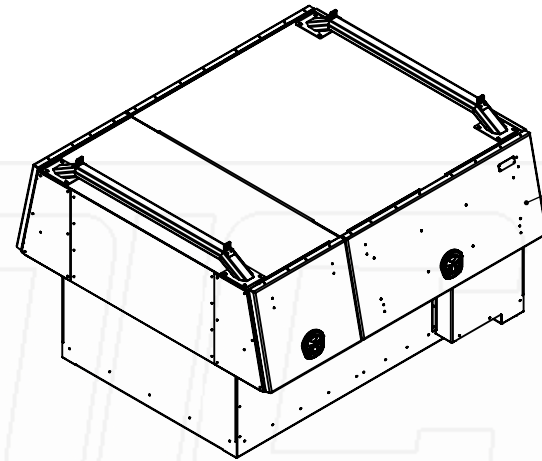
**LADDER RACK CAPACITY
750LBS (EVENLY DISTRIBUTED)**



**WHALE TAIL HANDLE
CHROME**

3rd LED TAIL LIGHT

**ALL DOORS
HAVE GAS SHOCKS**



Part No.: 3039	MATERIAL: 5052 (Alum)	THICKNESS: 0.125	FINISH: Powder	DWG. NO.: 4123-0-00-B
	Approx. Weight: 604.79lbs	ICONIC ELEMENTS (ICONIC METALGEAR) TITLE:		REV: SHEET:
	Surf. Area: 639.97 sq. ft.	<small>NO PART OF THIS DOCUMENT MAY BE REPRODUCED, STORED IN A RETRIEVAL SYSTEM, OR TRANSMITTED IN ANY FORM, WITHOUT THE WRITTEN PERMISSION OF Iconic Elements Inc. (ICONIC METALGEAR)</small>		B 2 OF 6

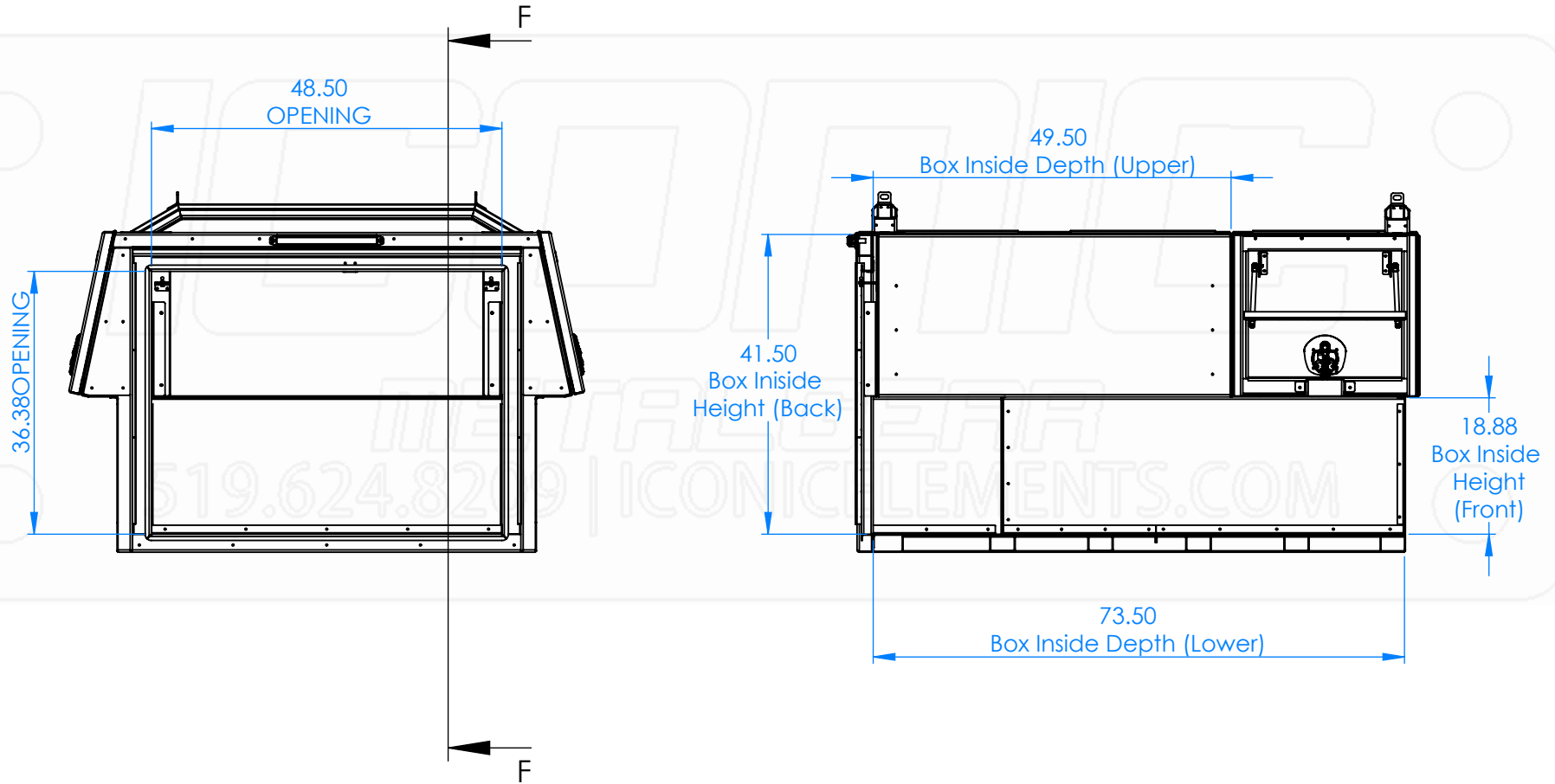
5

4

3

2

1



Part No.:

3039

MATERIAL: 5052 (Alum)

THICKNESS: 0.125

FINISH: Powder

DWG. NO.: 4123-0-00-B

Approx. Weight: 604.79 lbs

ICONIC ELEMENTS (ICONIC METALGEAR) TITLE:

REV: SHEET:

Surf. Area: 639.97 sq. ft.

PROPRIETARY AND CONFIDENTIAL
NO PART OF THIS DOCUMENT MAY BE REPRODUCED, STORED IN A RETRIEVAL SYSTEM, OR TRANSMITTED IN ANY FORM, WITHOUT THE WRITTEN PERMISSION OF Iconic Elements Inc. (ICONIC METALGEAR)

X-One Truck Pack (6 Door, Reg.)

B 3 OF 6

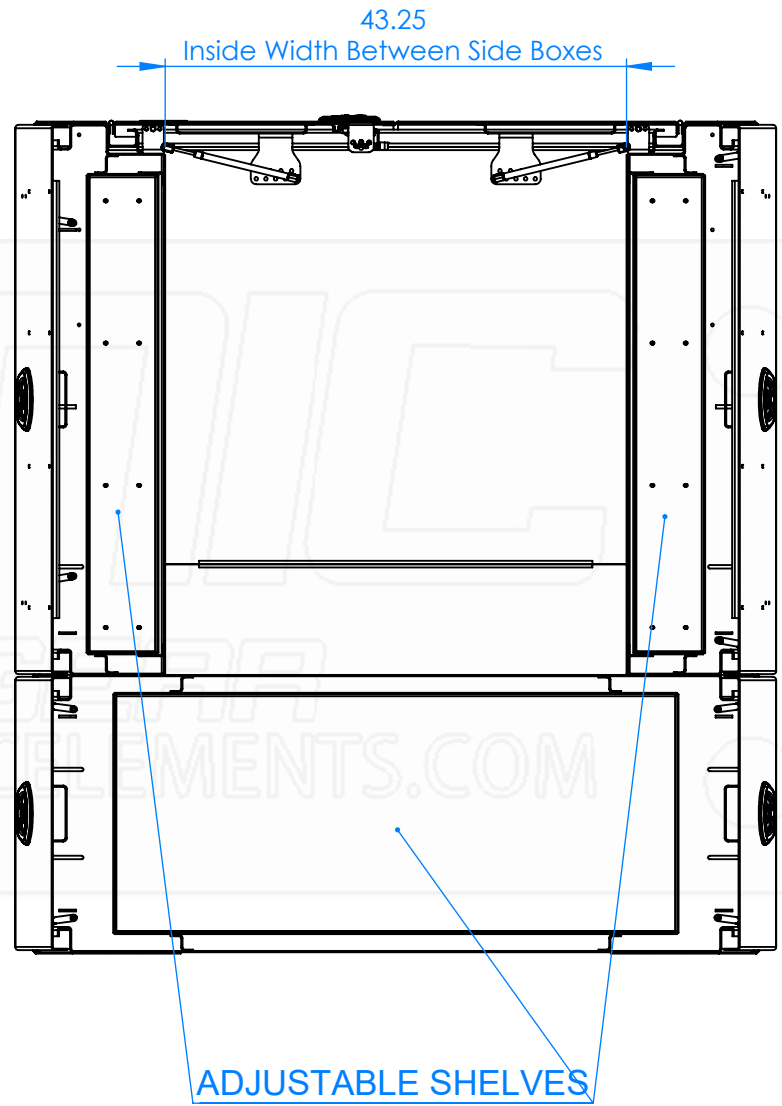
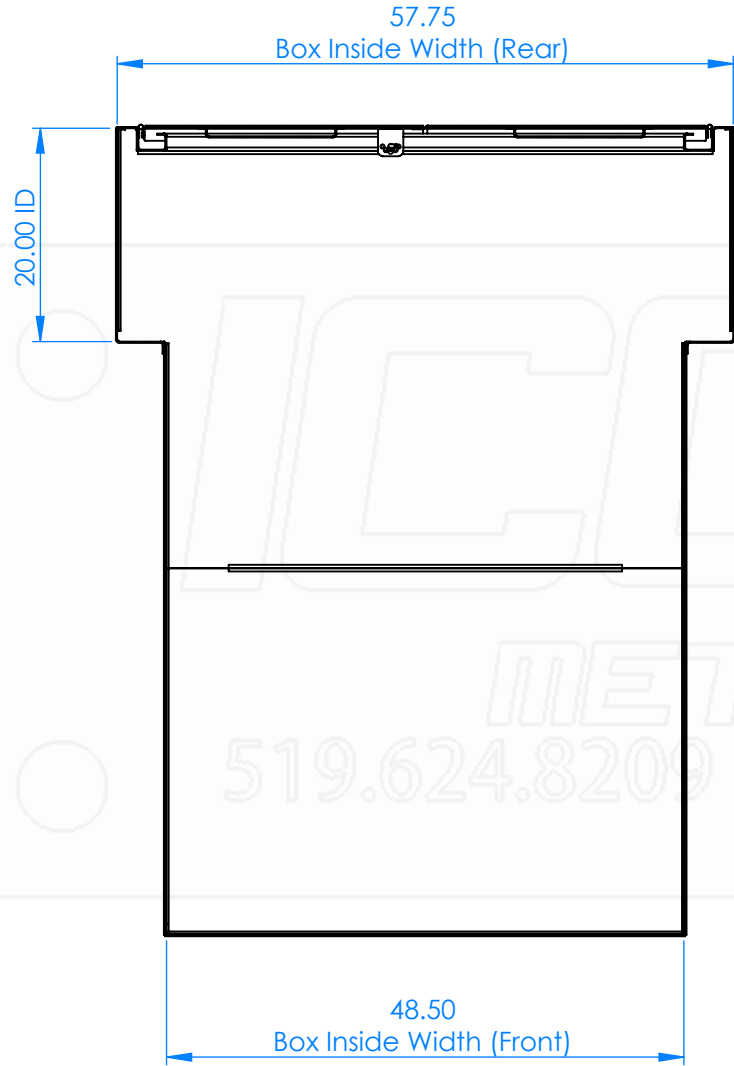
5

4

3

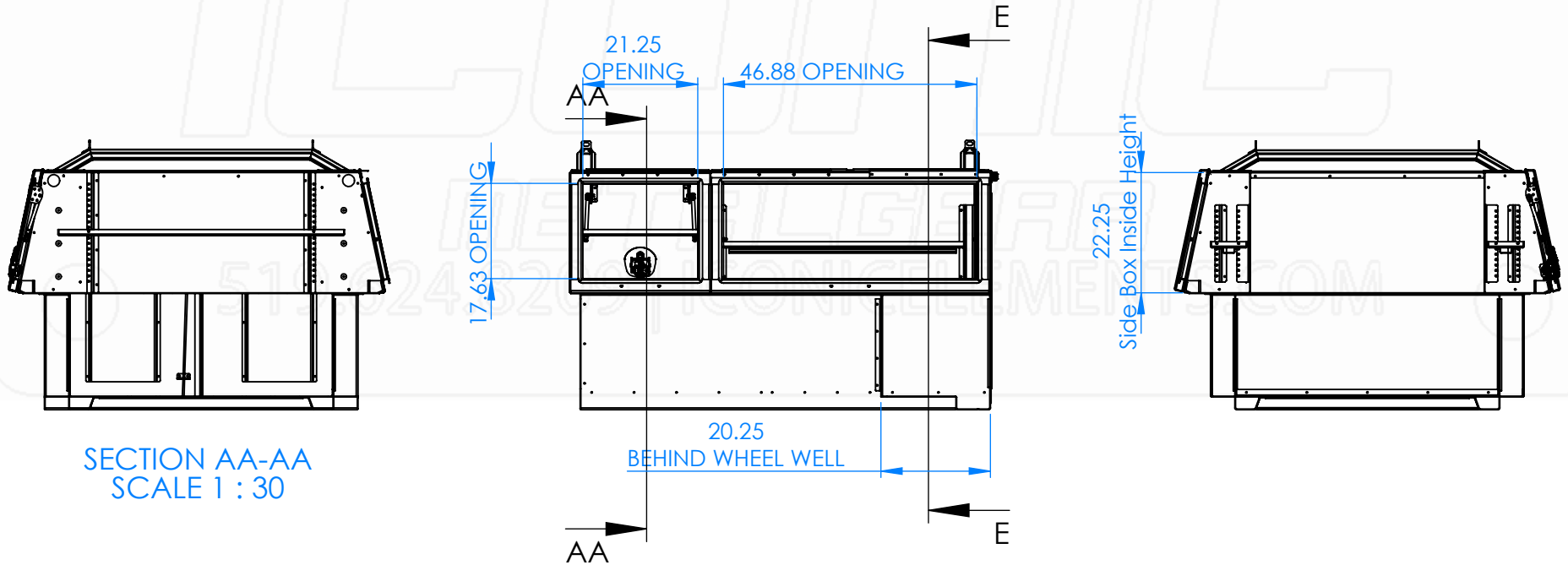
2

1



D
C
B
A

Part No.: 3039	MATERIAL: 5052 (Alum)	THICKNESS: 0.125	FINISH: Powder	DWG. NO.: 4123-0-00-B
	Approx. Weight: 604.79 lbs	ICONIC ELEMENTS (ICONIC METALGEAR) TITLE:		REV: SHEET:
	Surf. Area: 639.97 sq. ft.	<small>NO PART OF THIS DOCUMENT MAY BE REPRODUCED, STORED IN A RETRIEVAL SYSTEM, OR TRANSMITTED IN ANY FORM, WITHOUT THE WRITTEN PERMISSION OF Iconic Elements Inc. (ICONIC METALGEAR)</small>		B 4 OF 6



SECTION AA-AA
SCALE 1 : 30

Part No.:

3039

MATERIAL: 5052 (Alum)

THICKNESS: 0.125

FINISH: Powder

DWG. NO.: 4123-0-00-B

Approx. Weight: 604.79 lbs

ICONIC ELEMENTS (ICONIC METALGEAR) TITLE:

REV: SHEET:

Surf. Area: 639.97 sq. ft.

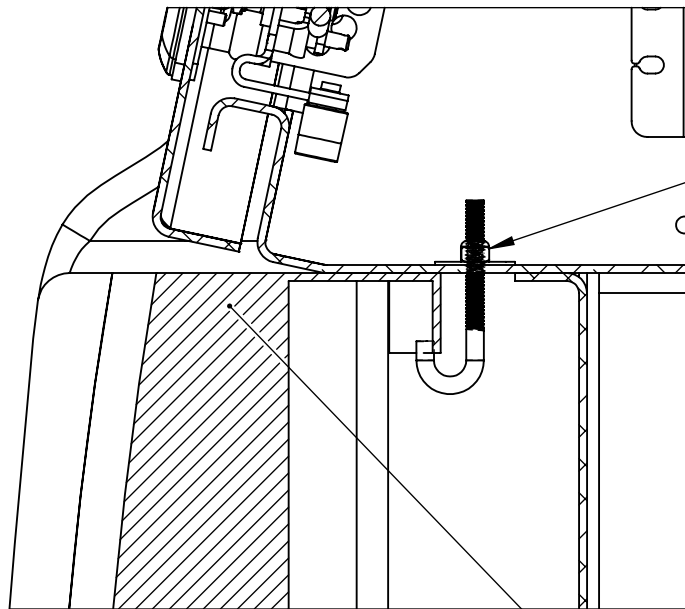
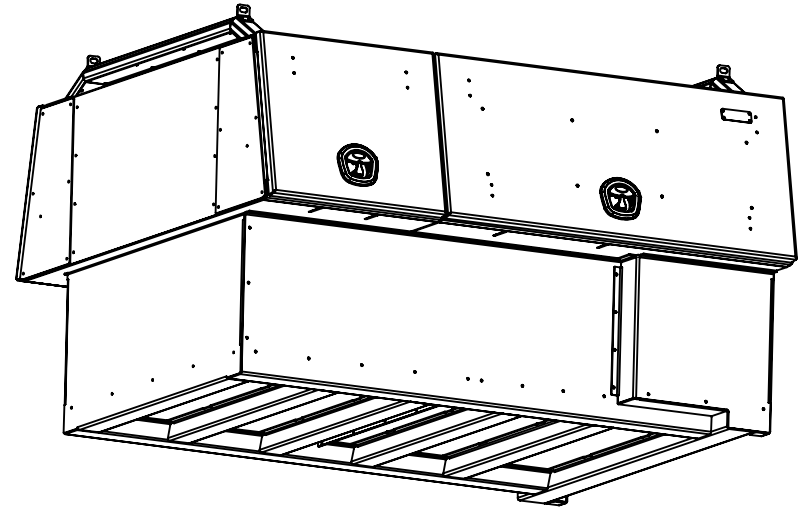
PROPRIETARY AND CONFIDENTIAL
NO PART OF THIS DOCUMENT MAY BE REPRODUCED, STORED IN A RETRIEVAL SYSTEM, OR TRANSMITTED IN ANY FORM, WITHOUT THE WRITTEN PERMISSION OF Iconic Elements Inc. (ICONIC METALGEAR)

X-One Truck Pack (6 Door, Reg.)

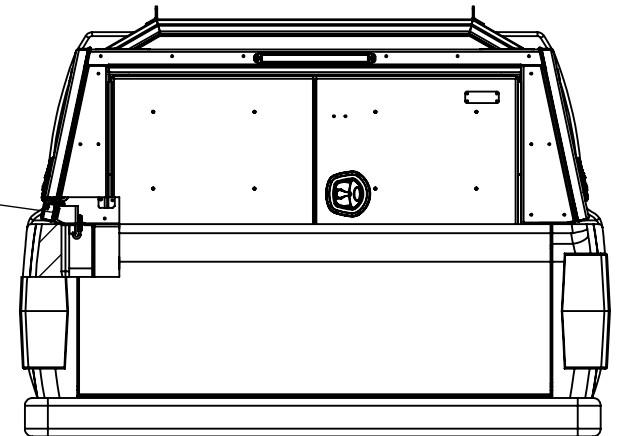
B 5 OF 6

INSTALLATION GUIDE

APPROX 3 HOURS INSTALL
(CONTACT AUTO SHOP FOR
HOOKING UP 3rd BRAKE LIGHT WIRING)



INCLUDED HARDWARE



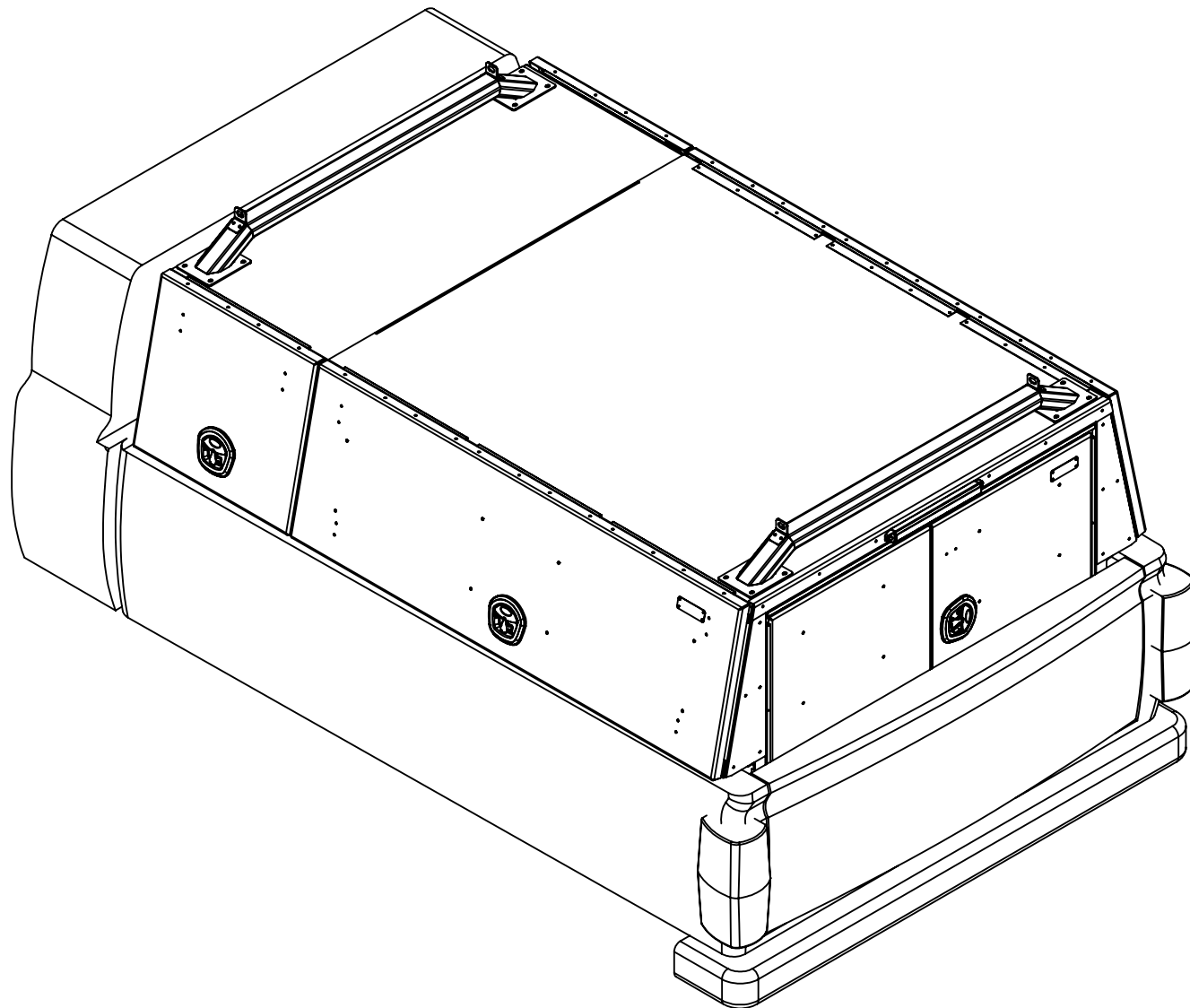
TRUCK BED RAIL

X-ONE Truck Pack

LONG BOX (APROX 8 FT.)

6 - DOOR

CAB HEIGHT



5

4

3

2

1

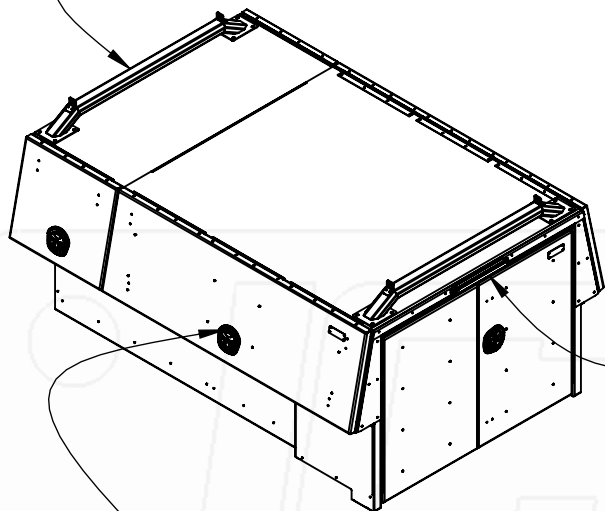
D

C

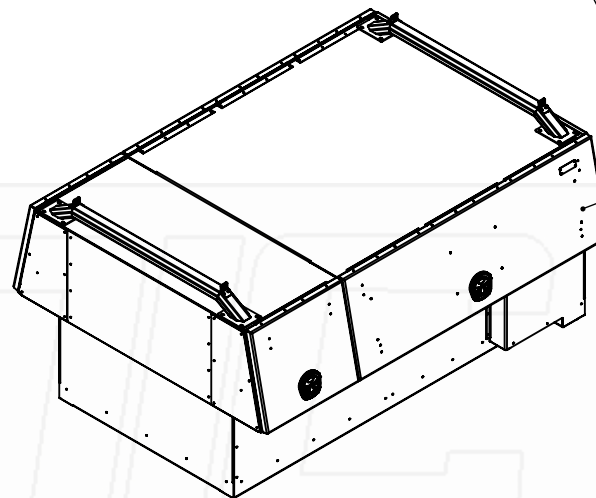
B

A

**LADDER RACK CAPACITY
750LBS (EVENLY DISTRIBUTED)**

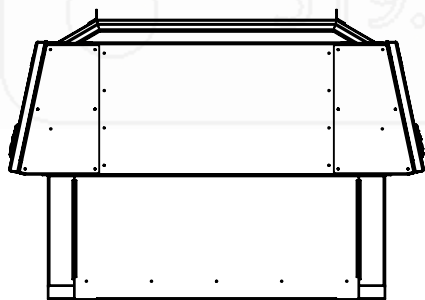


**ALL DOORS
HAVE GAS SHOCKS**

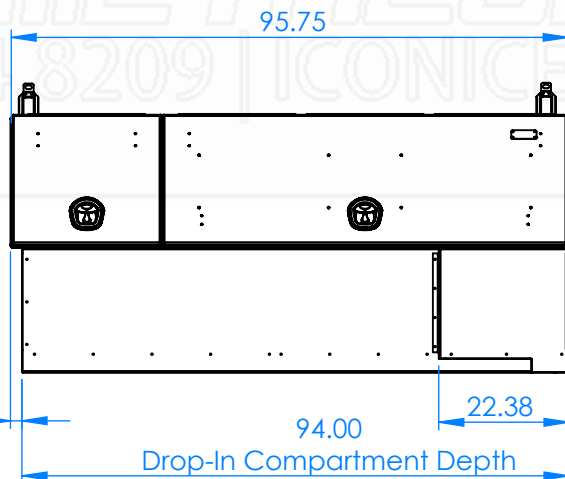


3rd LED TAIL LIGHT

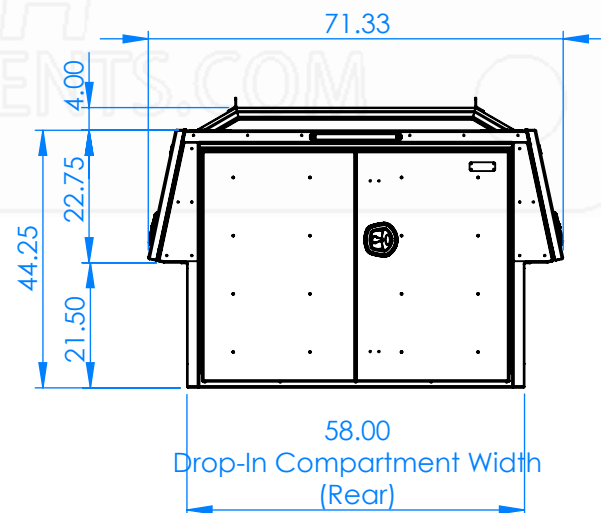
**WHALE TAIL HANDLE
CHROME**



49.00
Drop-In Compartment
Width (Front)



95.75
2.00
94.00
22.38
Drop-In Compartment Depth



71.33
4.00
44.25
22.75
21.50
58.00
Drop-In Compartment Width
(Rear)

Part No.:

3040

MATERIAL: 5052 (Alum)

THICKNESS: 0.125

FINISH: Powder

DWG. NO.: 4124-0-00-B

Approx. Weight: 695.48lbs
Surf. Area: 736.37 sq. ft.

ICONIC ELEMENTS (ICONIC METALGEAR)

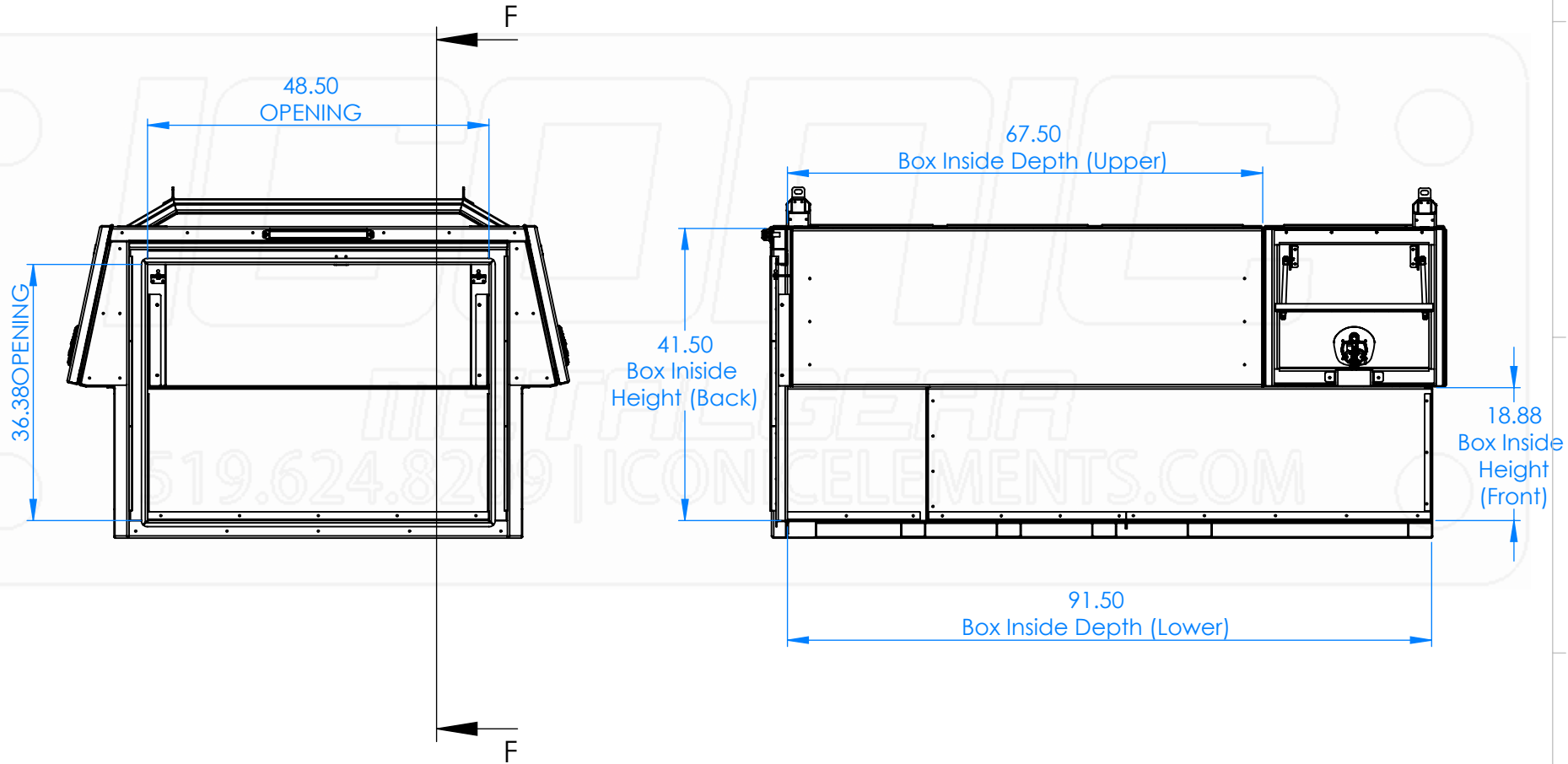
PROPRIETARY AND CONFIDENTIAL
NO PART OF THIS DOCUMENT MAY BE REPRODUCED, STORED IN A RETRIEVAL SYSTEM, OR TRANSMITTED
IN ANY FORM, WITHOUT THE WRITTEN PERMISSION OF Iconic Elements Inc. (ICONIC METALGEAR)

TITLE:

X-One Truck Pack (6 Door, Long)

REV: SHEET:

B 2 OF 6



Part No.:

3040

MATERIAL: 5052 (Alum)

THICKNESS: 0.125

FINISH: Powder

DWG. NO.: 4124-0-00-B

Approx. Weight: 695.48 lbs

ICONIC ELEMENTS (ICONIC METALGEAR) TITLE:

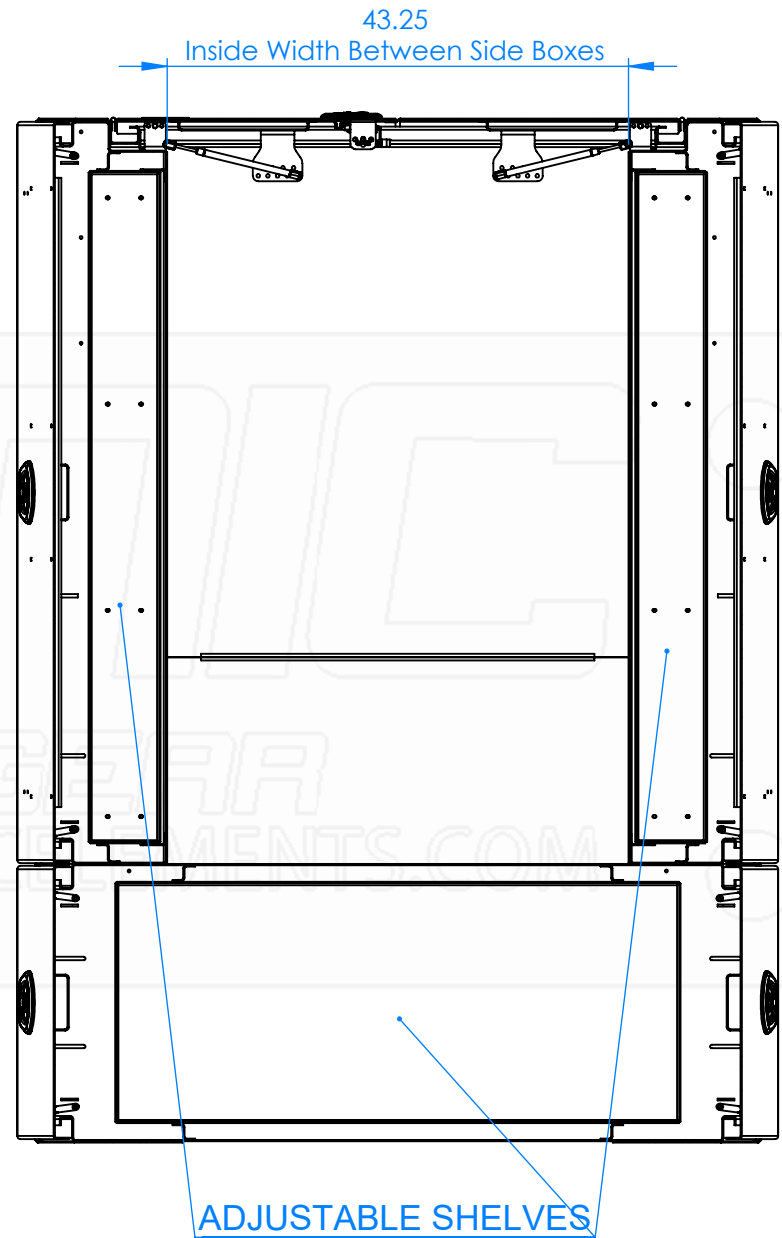
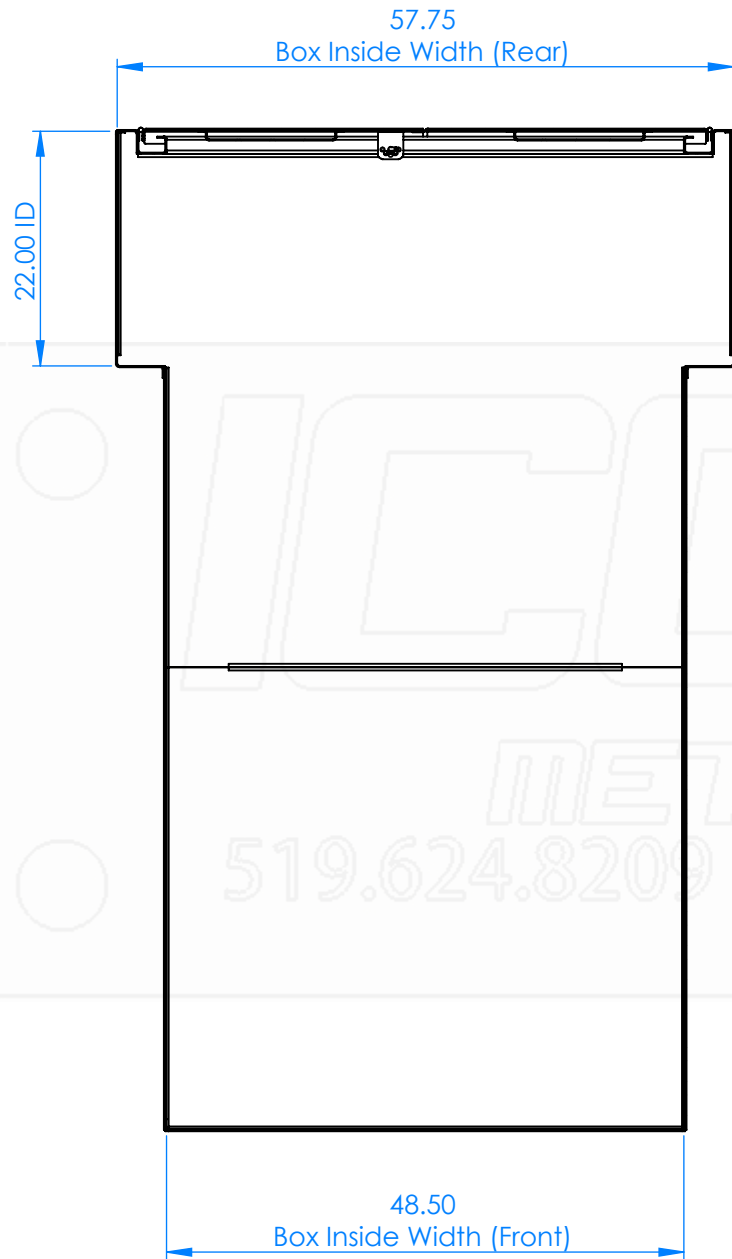
REV: SHEET:

Surf. Area: 736.37 sq. ft.

PROPRIETARY AND CONFIDENTIAL
NO PART OF THIS DOCUMENT MAY BE REPRODUCED, STORED IN A RETRIEVAL SYSTEM, OR TRANSMITTED IN ANY FORM, WITHOUT THE WRITTEN PERMISSION OF Iconic Elements Inc. (ICONIC METALGEAR)

X-One Truck Pack (6 Door, Long) **B**

3 OF 6



D
C
B
A

Part No.:

3040

MATERIAL: 5052 (Alum)

Approx. Weight: 695.48 lbs

Surf. Area: 736.37 sq. ft.

THICKNESS: 0.125

ICONIC ELEMENTS (ICONIC METALGEAR)

PROPRIETARY AND CONFIDENTIAL
NO PART OF THIS DOCUMENT MAY BE REPRODUCED, STORED IN A RETRIEVAL SYSTEM, OR TRANSMITTED IN ANY FORM, WITHOUT THE WRITTEN PERMISSION OF Iconic Elements Inc. (ICONIC METALGEAR)

FINISH: Powder

TITLE:

X-One Truck Pack (6 Door, Long)

DWG. NO.: 4124-0-00-B

REV: SHEET:

B 4 OF 6

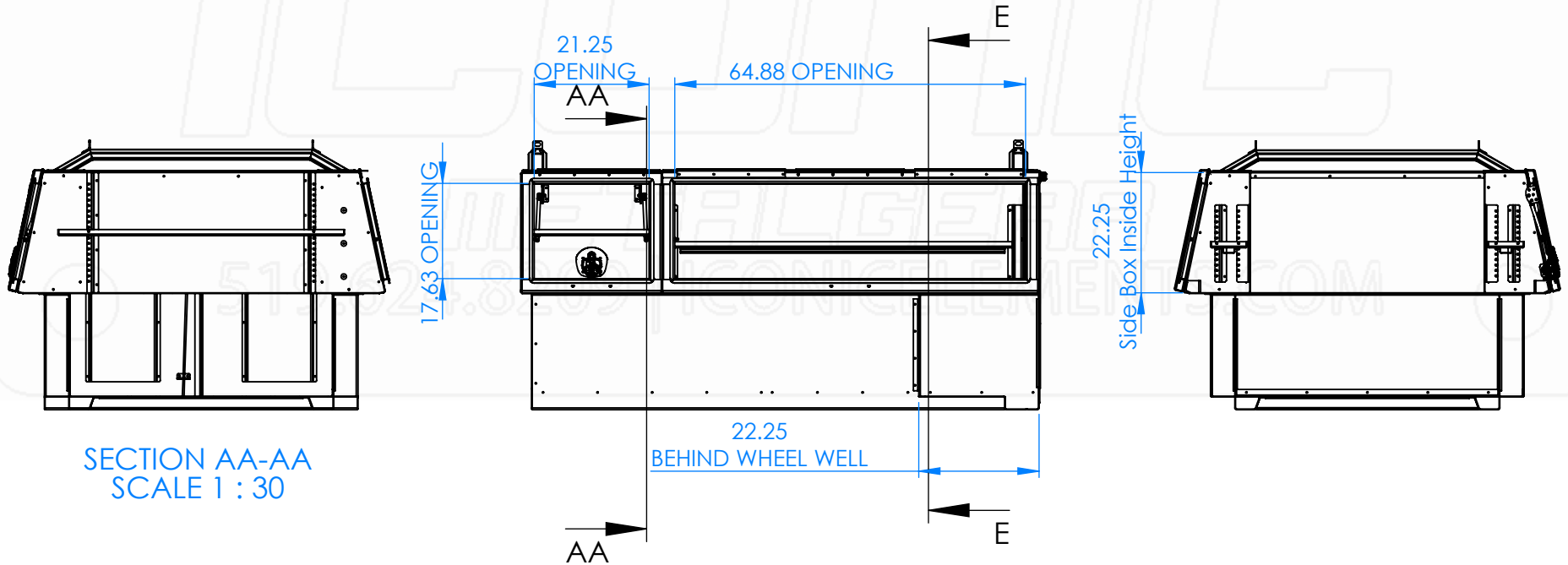
5

4

3

2

1



SECTION AA-AA
SCALE 1 : 30

Part No.:

3040

MATERIAL: 5052 (Alum)

Approx. Weight: 695.48 lbs

Surf. Area: 736.37 sq. ft.

THICKNESS: 0.125

ICONIC ELEMENTS (ICONIC METALGEAR)

PROPRIETARY AND CONFIDENTIAL
NO PART OF THIS DOCUMENT MAY BE REPRODUCED, STORED IN A RETRIEVAL SYSTEM, OR TRANSMITTED IN ANY FORM, WITHOUT THE WRITTEN PERMISSION OF Iconic Elements Inc. (ICONIC METALGEAR)

FINISH: Powder

TITLE:

X-One Truck Pack (6 Door, Long)

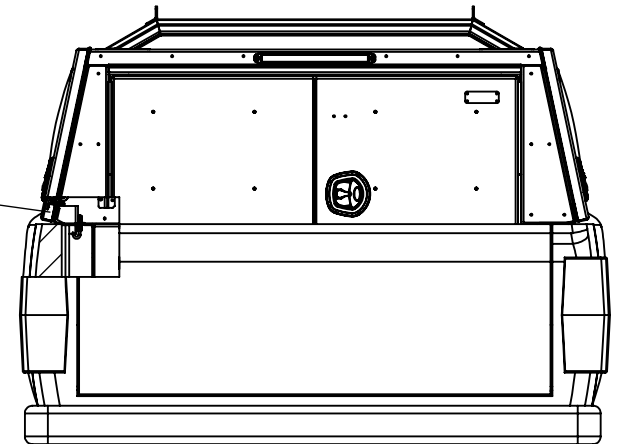
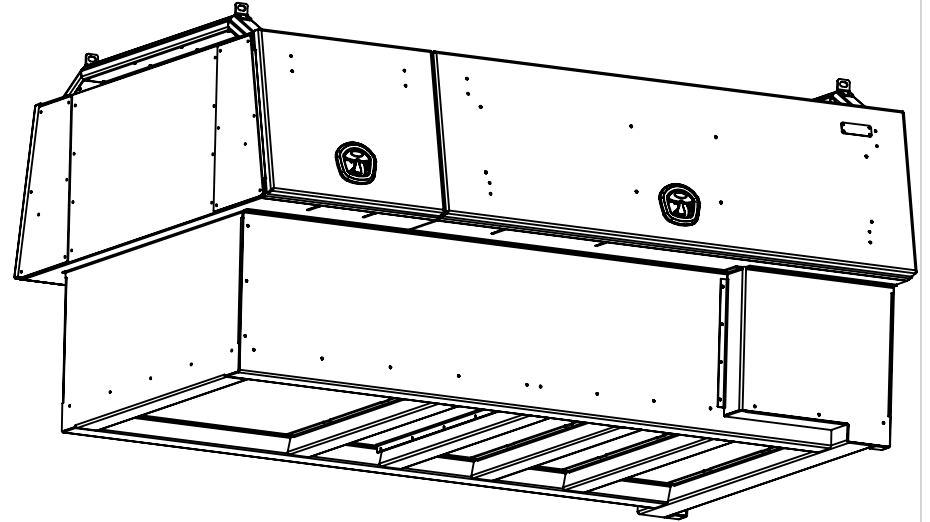
DWG. NO.: 4124-0-00-B

REV: SHEET:

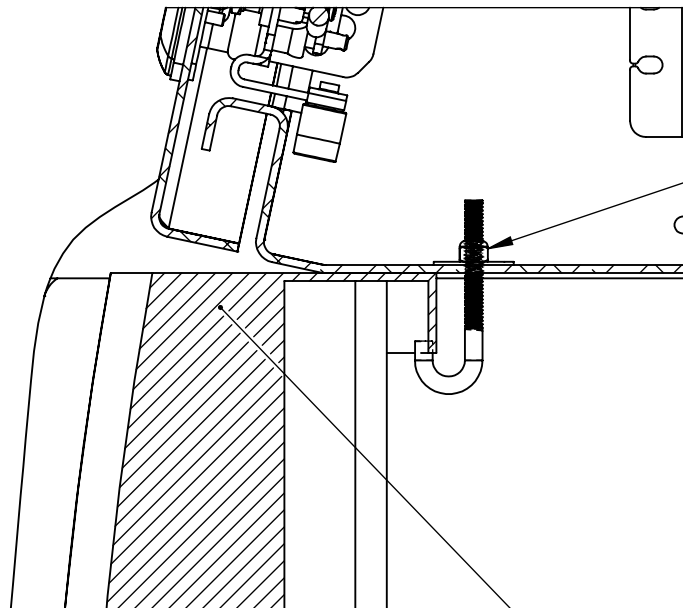
B 5 OF 6

INSTALLATION GUIDE

APPROX 3 HOURS INSTALL
(CONTACT AUTO SHOP FOR
HOOKING UP 3rd BRAKE LIGHT WIRING)



INCLUDED HARDWARE



TRUCK BED RAIL