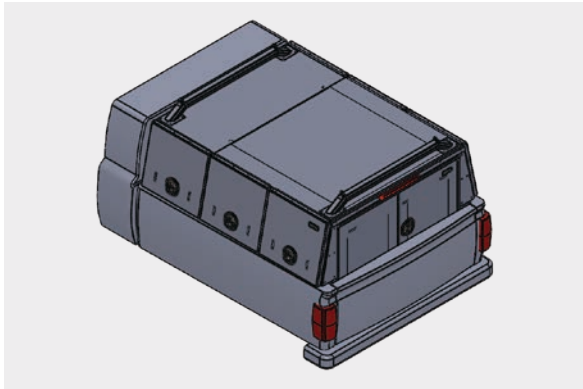




X-ONE TRUCK CAP
8-DOOR

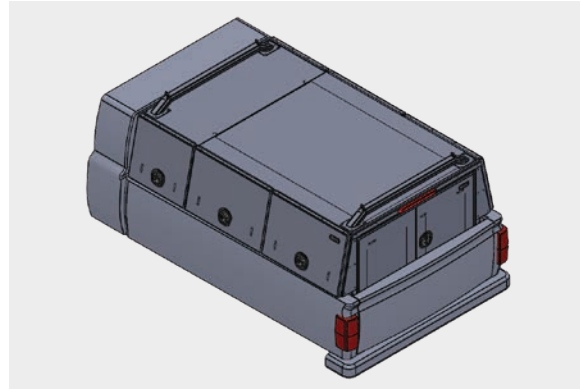


BED SIZES:



REGULAR BOX (PAGE 3)

[GO TO REGULAR BOX](#)



LONG BOX (PAGE 9)

[GO TO LONG BOX](#)



NEW! FLIP UP REAR DOOR

Choose to swap the X-ONE's standard rear barn doors for a single flip-up door. **Now available for every size and configuration.**

X-ONE CONFIGURATIONS:
8-DOOR VERSION

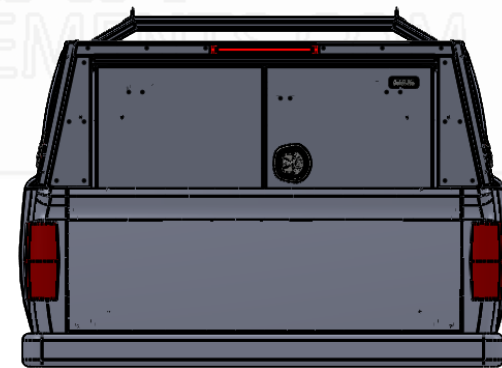
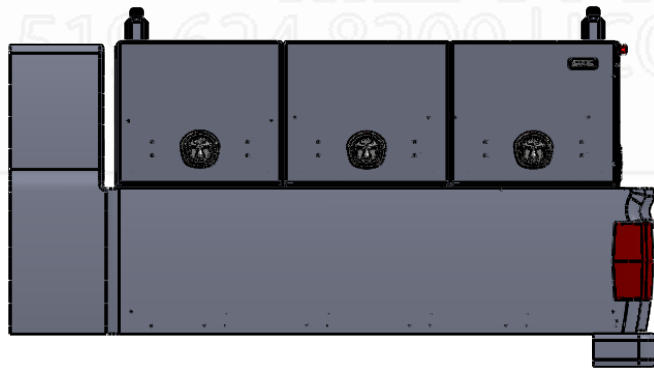
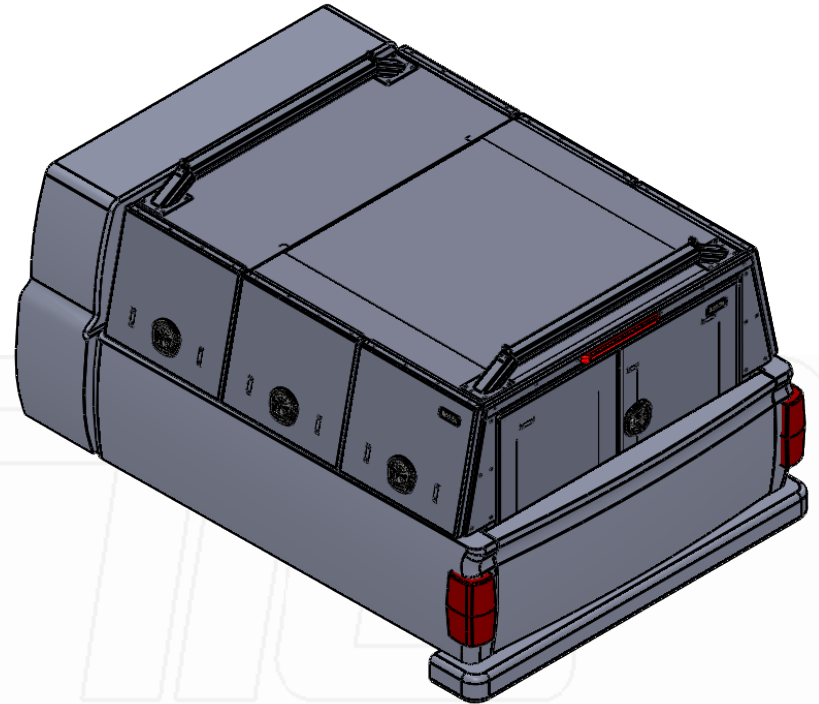


X-ONE Truck Pack

REGULAR BOX (APROX 6.6 FT.)

8 - DOOR

CAB HEIGHT



Part No.:

3060

MATERIAL: 5052 (Alum)

THICKNESS: 0.125

FINISH: Powder

DWG. NO.: 4128-0-00-A

Approx. Weight: 515.84 lbs

ICONIC ELEMENTS (ICONIC METALGEAR) TITLE:

REV: SHEET:

Surf. Area: 896.39 sq. ft.

PROPRIETARY AND CONFIDENTIAL
NO PART OF THIS DOCUMENT MAY BE REPRODUCED, STORED IN A RETRIEVAL SYSTEM, OR TRANSMITTED IN ANY FORM, WITHOUT THE WRITTEN PERMISSION OF Iconic Elements Inc. (ICONIC METALGEAR)

X-One Truck Pack (8-Door,Reg.)

A 1 OF 6

5

4

3

2

1

D

C

B

A

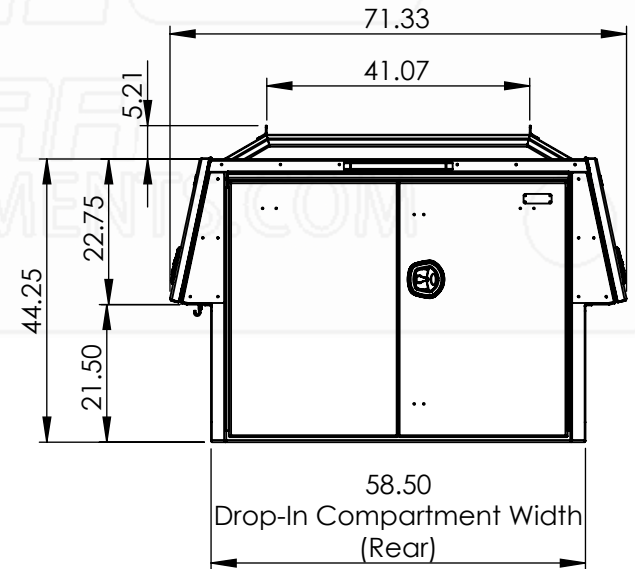
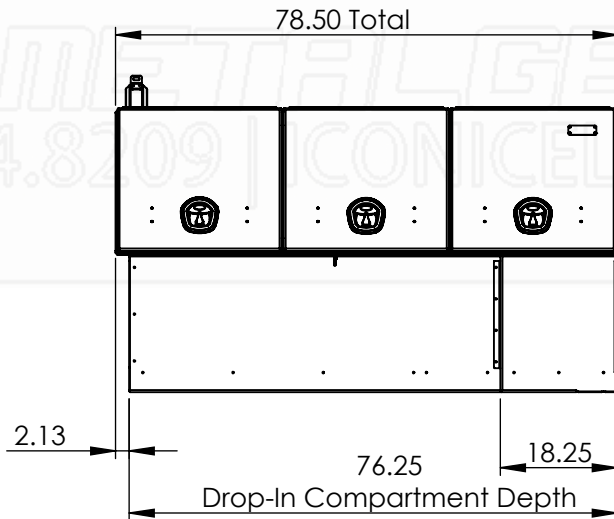
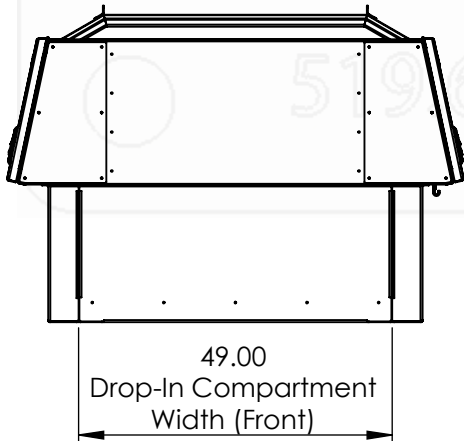
**LADDER RACK CAPACITY
750LBS (EVENLY DISTRIBUTED) ALL DOORS**

**ALL DOORS
HAVE GAS SHOCKS**

3rd LED TAIL LIGHT

COATED PANEL

**WHALE TAIL HANDLE
CHROME, LOCKING**



Part No.:

3060

MATERIAL: 5052 (Alum)

THICKNESS: 0.125

FINISH: Powder

DWG. NO.: 4128-0-00-A

Approx. Weight: 515.28 lbs

Surf. Area: 896.39 sq. ft.

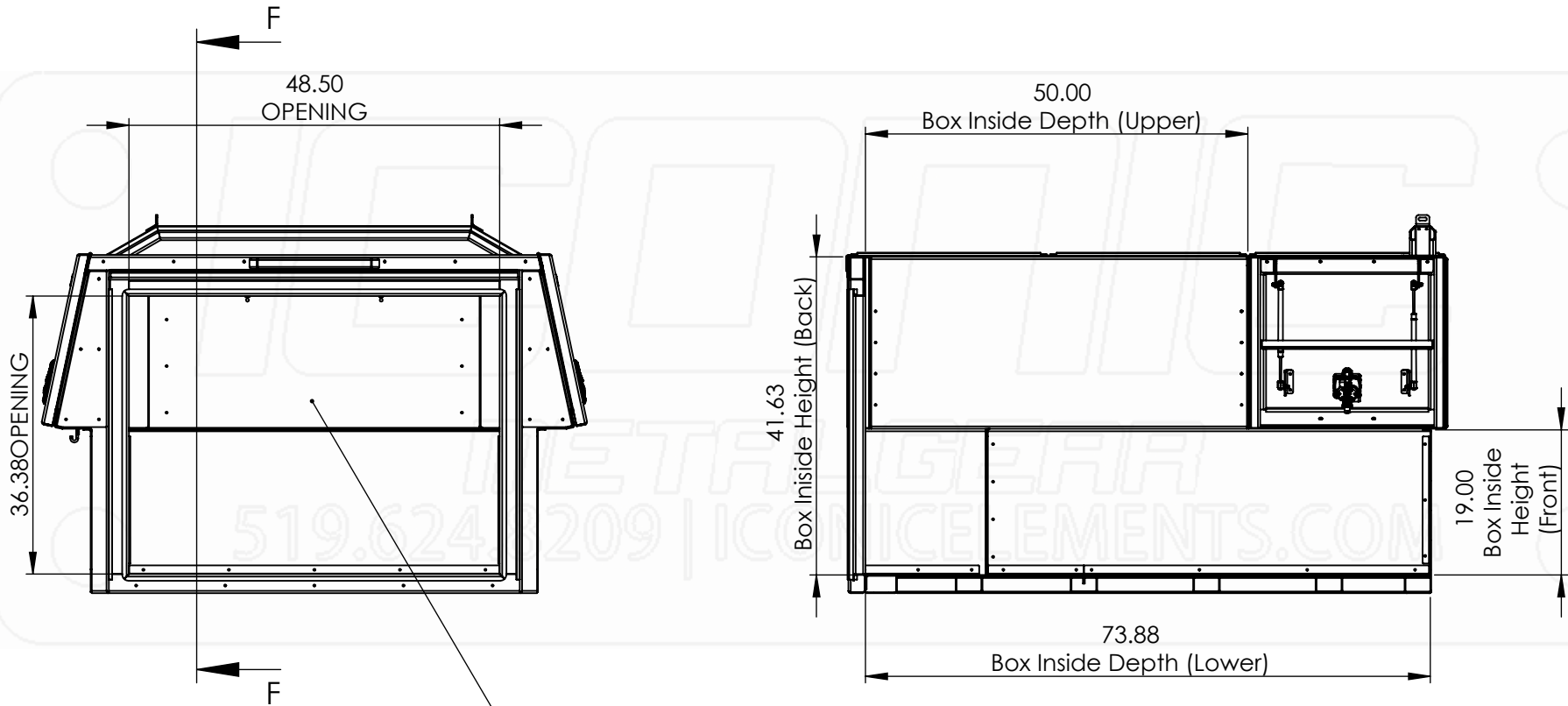
ICONIC ELEMENTS (ICONIC METALGEAR) TITLE:

PROPRIETARY AND CONFIDENTIAL
NO PART OF THIS DOCUMENT MAY BE REPRODUCED, STORED IN A RETRIEVAL SYSTEM, OR TRANSMITTED
IN ANY FORM, WITHOUT THE WRITTEN PERMISSION OF Iconic Elements Inc. (ICONIC METALGEAR)

X-One Truck Pack (8-Door, Reg.)

REV: SHEET:

A 2 OF 6



BACK DOOR OPENING = 48.5" WIDE x 36.38" HIGH

Part No.:	MATERIAL: 5052 (Alum)	THICKNESS: 0.125	FINISH: Powder	DWG. NO.: 4128-0-00-A
3060	Approx. Weight: 515.28 lbs	ICONIC ELEMENTS (ICONIC METALGEAR) TITLE:		REV: SHEET:
	Surf. Area: 896.39 sq. ft.	<small>NO PART OF THIS DOCUMENT MAY BE REPRODUCED, STORED IN A RETRIEVAL SYSTEM, OR TRANSMITTED IN ANY FORM, WITHOUT THE WRITTEN PERMISSION OF Iconic Elements Inc. (ICONIC METALGEAR)</small>		A 3 OF 6

5

4

3

2

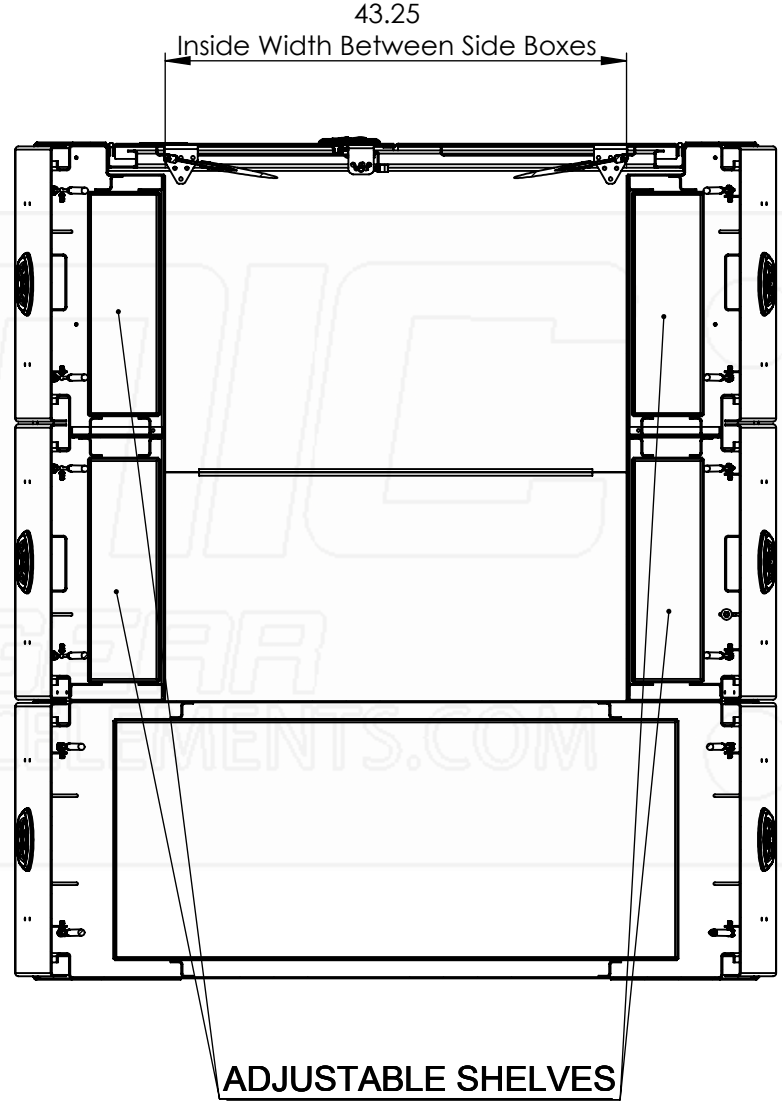
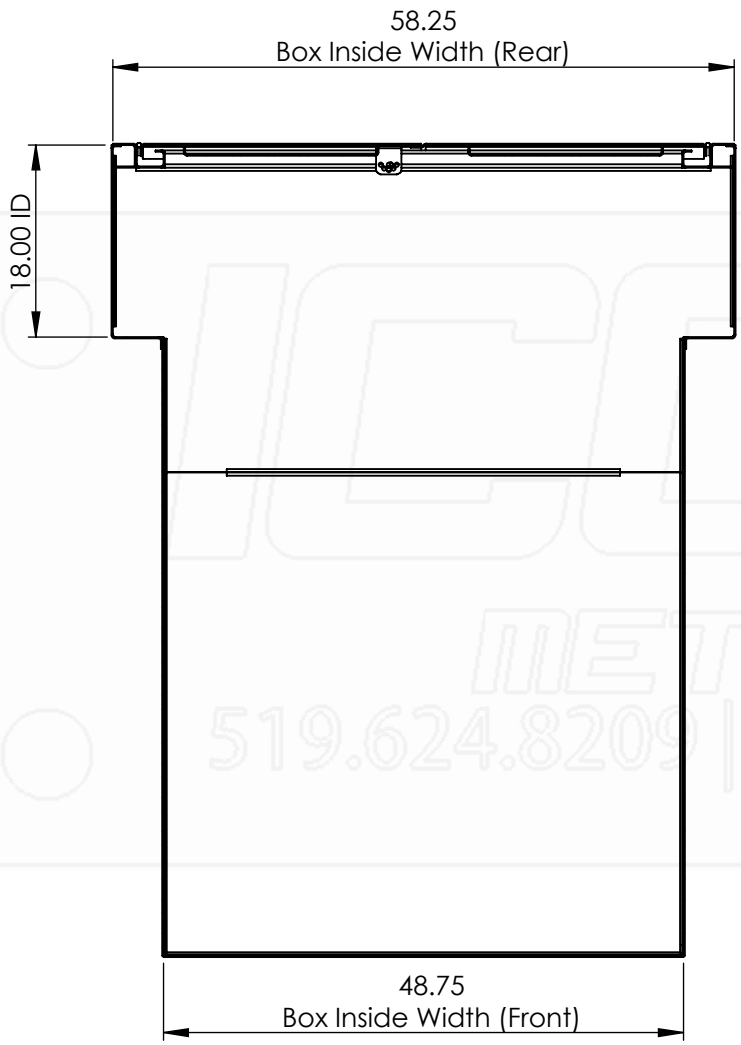
1

D

C

B

A



Part No.:

3060

MATERIAL: 5052 (Alum)

THICKNESS: 0.125

FINISH: Powder

DWG. NO.: 4128-0-00-A

Approx. Weight: 515.28 lbs
Surf. Area: 896.39 sq. ft.

ICONIC ELEMENTS (ICONIC METALGEAR) TITLE:

PROPRIETARY AND CONFIDENTIAL
NO PART OF THIS DOCUMENT MAY BE REPRODUCED, STORED IN A RETRIEVAL SYSTEM, OR TRANSMITTED IN ANY FORM, WITHOUT THE WRITTEN PERMISSION OF Iconic Elements Inc. (ICONIC METALGEAR)

X-One Truck Pack (8-Door, Reg.)

REV: SHEET:
A 4 OF 6

5

4

3

2

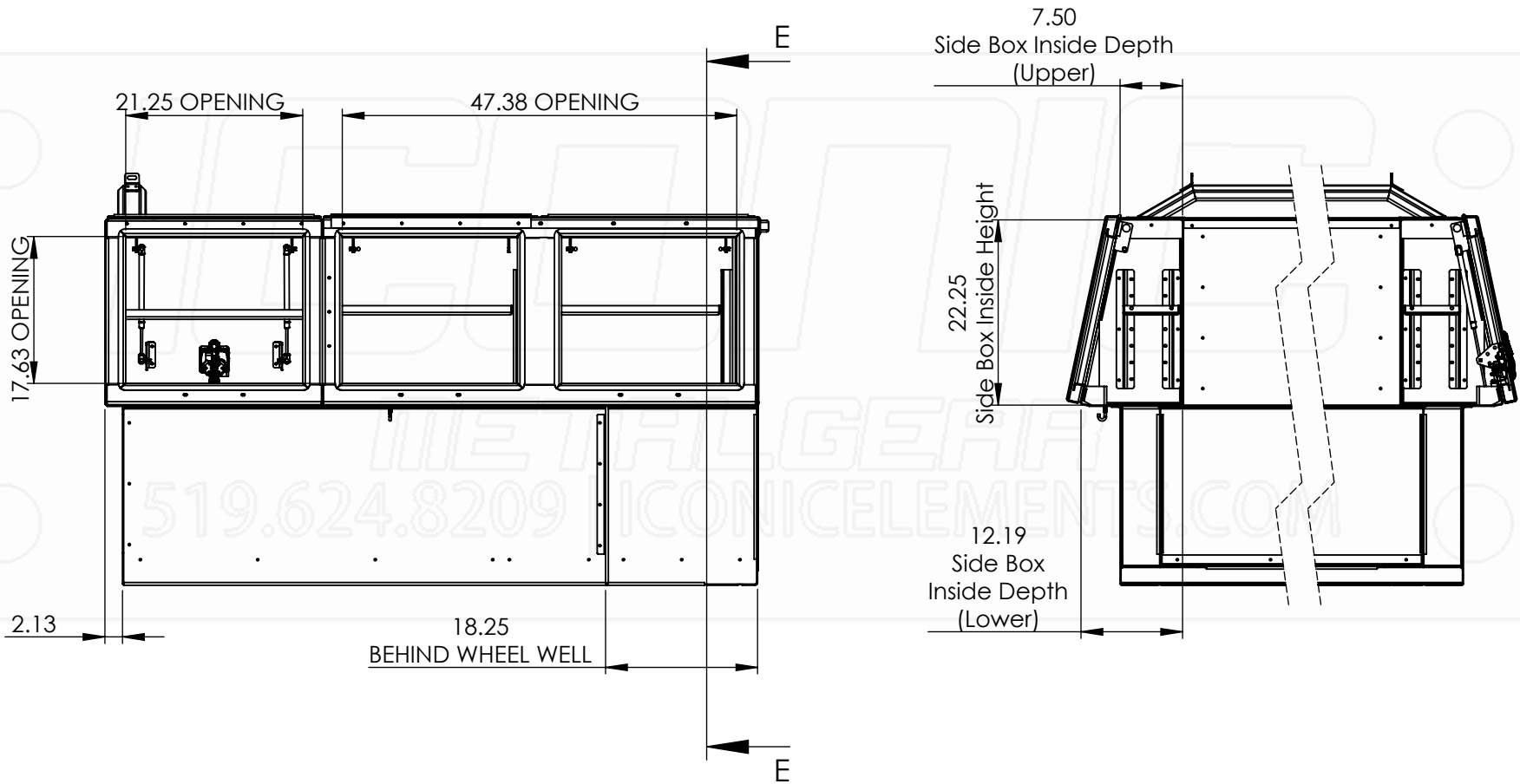
1

D

C

B

A



Part No.:

3060

MATERIAL: 5052 (Alum)

THICKNESS: 0.125

FINISH: Powder

DWG. NO.: 4128-0-00-A

Approx. Weight: 515.28 lbs

ICONIC ELEMENTS (ICONIC METALGEAR) TITLE:

REV: SHEET:

Surf. Area: 896.39 sq. ft.

PROPRIETARY AND CONFIDENTIAL
NO PART OF THIS DOCUMENT MAY BE REPRODUCED, STORED IN A RETRIEVAL SYSTEM, OR TRANSMITTED IN ANY FORM, WITHOUT THE WRITTEN PERMISSION OF Iconic Elements Inc. (ICONIC METALGEAR)

X-One Truck Pack (8-Door, Reg.)

A 5 OF 6

5

4

3

2

1

D

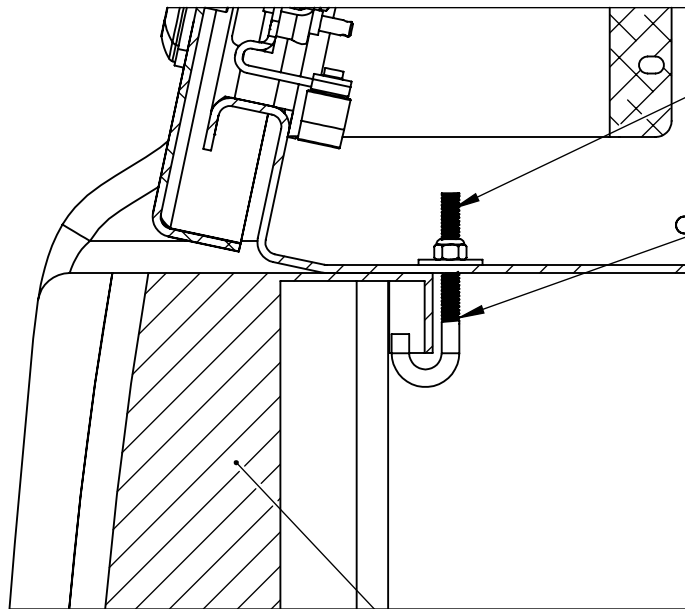
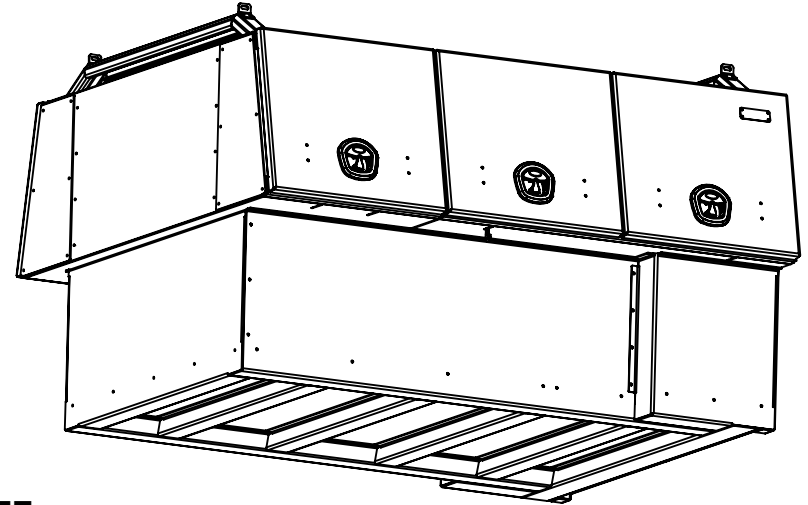
C

B

A

INSTALLATION GUIDE

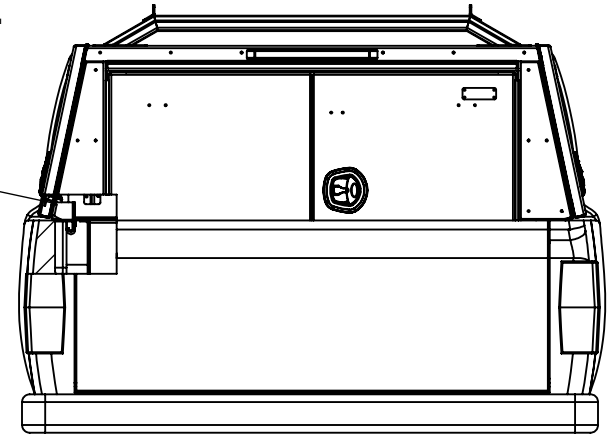
**APPROX 3 HOURS INSTALL
(CONTACT AUTO SHOP FOR
HOOKING UP 3rd BRAKE LIGHT WIRING)**



CUT EXCESS OFF

INCLUDED HARDWARE

TRUCK BED RAIL

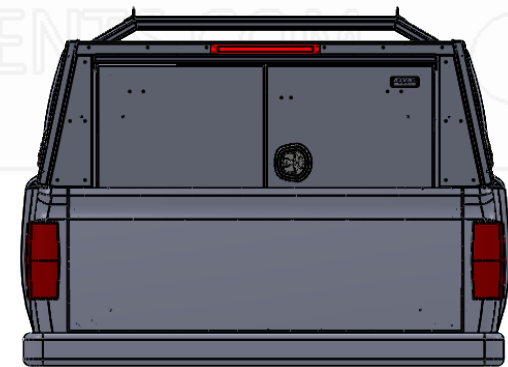
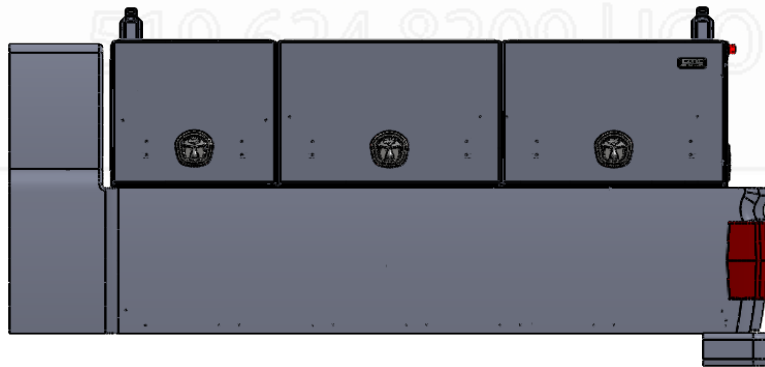
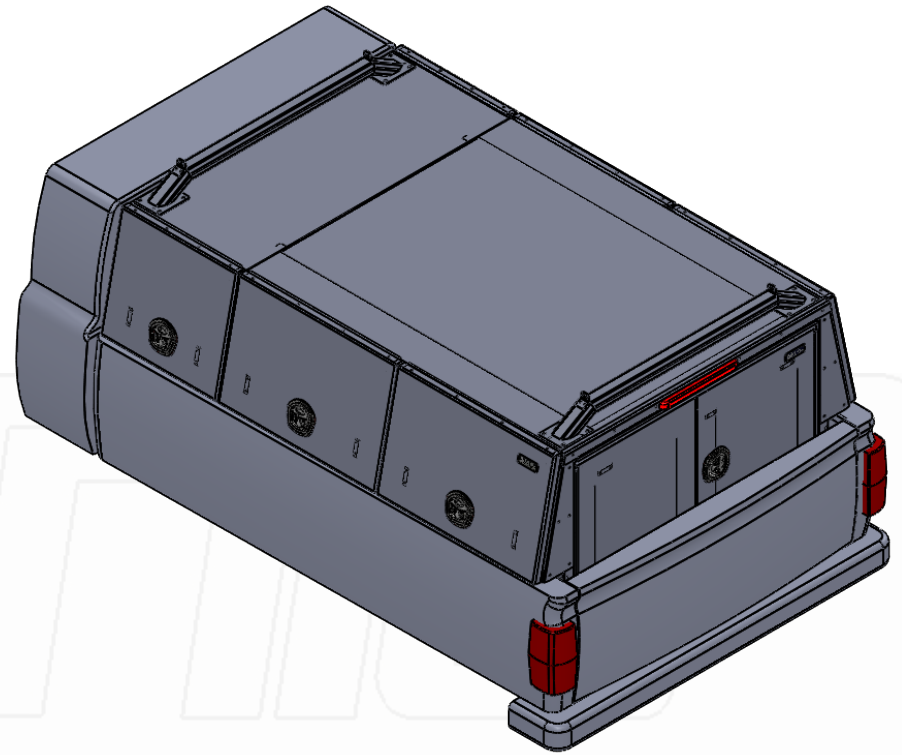


X-ONE Truck Pack

LONG BOX (APROX 8 FT.)

8 - DOOR

CAB HEIGHT



Part No.:

3061

MATERIAL: 5052 (Alum)

THICKNESS: 0.125

FINISH: Powder

DWG. NO.: 4129-0-00-A

Approx. Weight: 579.22 lbs

ICONIC ELEMENTS (ICONIC METALGEAR) TITLE:

REV: SHEET:

Surf. Area: 737.02 sq. ft.

PROPRIETARY AND CONFIDENTIAL
NO PART OF THIS DOCUMENT MAY BE REPRODUCED, STORED IN A RETRIEVAL SYSTEM, OR TRANSMITTED IN ANY FORM, WITHOUT THE WRITTEN PERMISSION OF Iconic Elements Inc. (ICONIC METALGEAR)

X-One Truck Pack (8-Door, Long)

A 1 OF 6

5

4

3

2

1

D

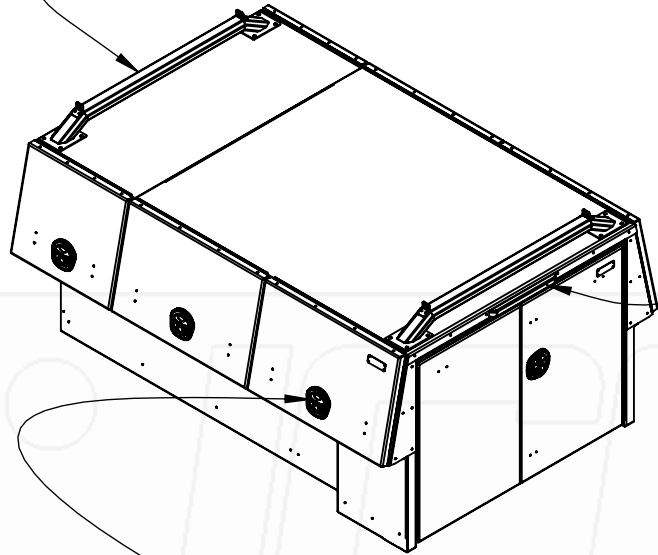
C

B

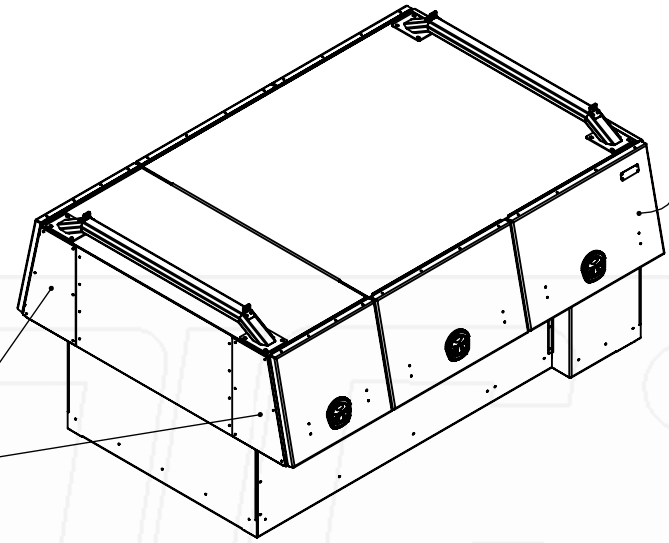
A

**LADDER RACK CAPACITY
750LBS (EVENLY DISTRIBUTED)**

**ALL DOORS
HAVE GAS SHOCKS**

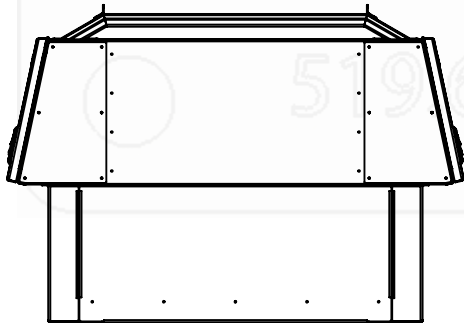


3rd LED TAIL LIGHT



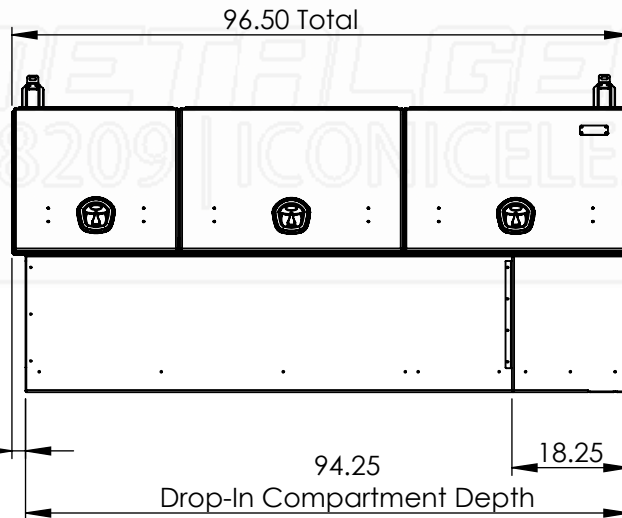
COATED PANEL

**WHALE TAIL HANDLE
CHROME, LOCKING**



49.00
Drop-In Compartment
Width (Front)

2.13

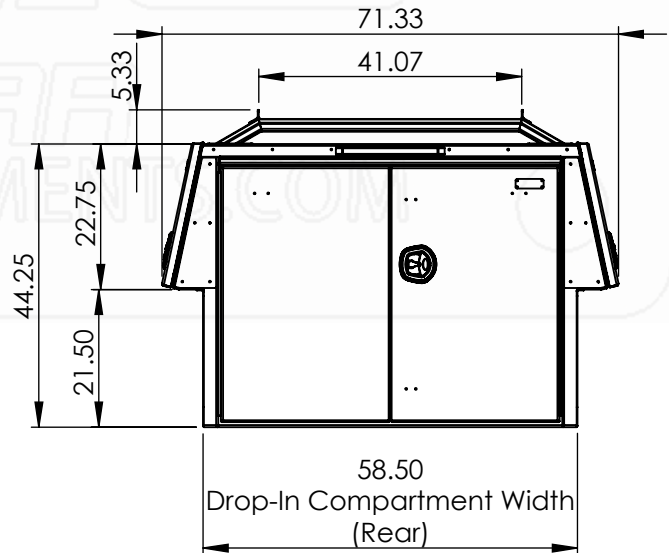


96.50 Total

94.25

Drop-In Compartment Depth

18.25



71.33

41.07

44.25

22.75

21.50

5.33

58.50
Drop-In Compartment Width
(Rear)

Part No.:

3061

MATERIAL: 5052 (Alum)

THICKNESS: 0.125

FINISH: Powder

DWG. NO.: 4129-0-00-A

Approx. Weight: 578.01 lbs

Surf. Area: 737.02 sq. ft.

ICONIC ELEMENTS (ICONIC METALGEAR)

PROPRIETARY AND CONFIDENTIAL
NO PART OF THIS DOCUMENT MAY BE REPRODUCED, STORED IN A RETRIEVAL SYSTEM, OR TRANSMITTED
IN ANY FORM, WITHOUT THE WRITTEN PERMISSION OF Iconic Elements Inc. (ICONIC METALGEAR)

TITLE:

X-One Truck Pack (8-Door, Long)

REV: SHEET:

A 2 OF 6

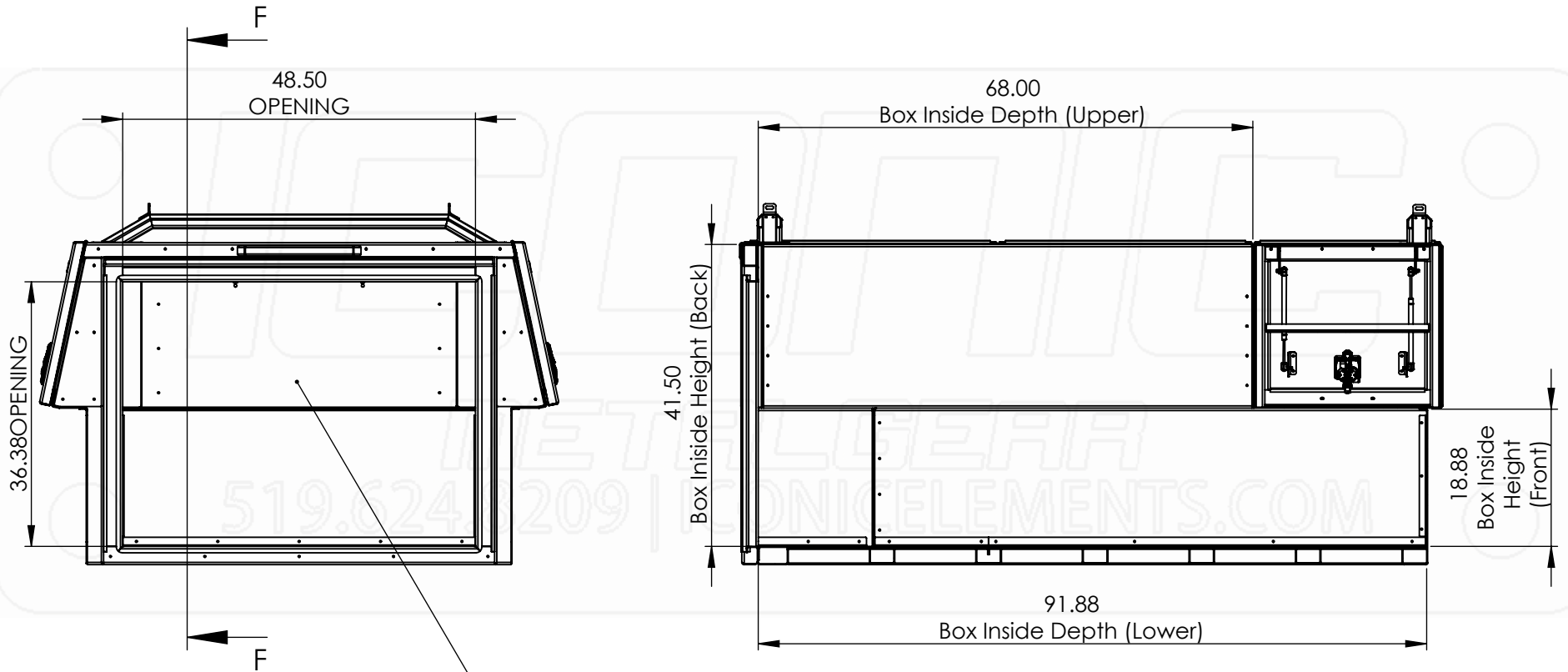
5

4

3

2

1



BACK DOOR OPENING = 48.5" WIDE x 36.38" HIGH

Part No.: 3061	MATERIAL: 5052 (Alum)	THICKNESS: 0.125	FINISH: Powder	DWG. NO.: 4129-0-00-A
	Approx. Weight: 578.01 lbs	ICONIC ELEMENTS (ICONIC METALGEAR)		TITLE:
	Surf. Area: 737.02 sq. ft.	<small>PROPRIETARY AND CONFIDENTIAL NO PART OF THIS DOCUMENT MAY BE REPRODUCED, STORED IN A RETRIEVAL SYSTEM, OR TRANSMITTED IN ANY FORM, WITHOUT THE WRITTEN PERMISSION OF Iconic Elements Inc. (ICONIC METALGEAR)</small>		X-One Truck Pack (8-Door, Long)
				REV: A
				SHEET: 3 OF 6

5

4

3

2

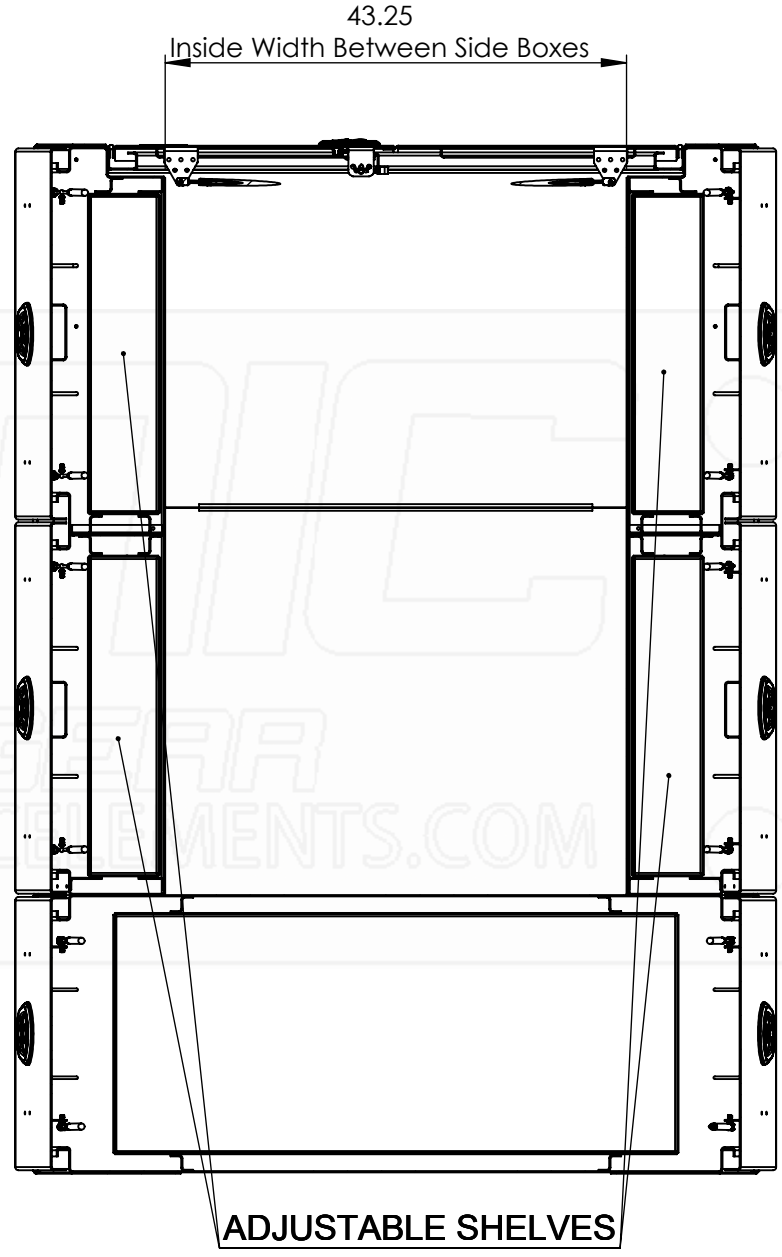
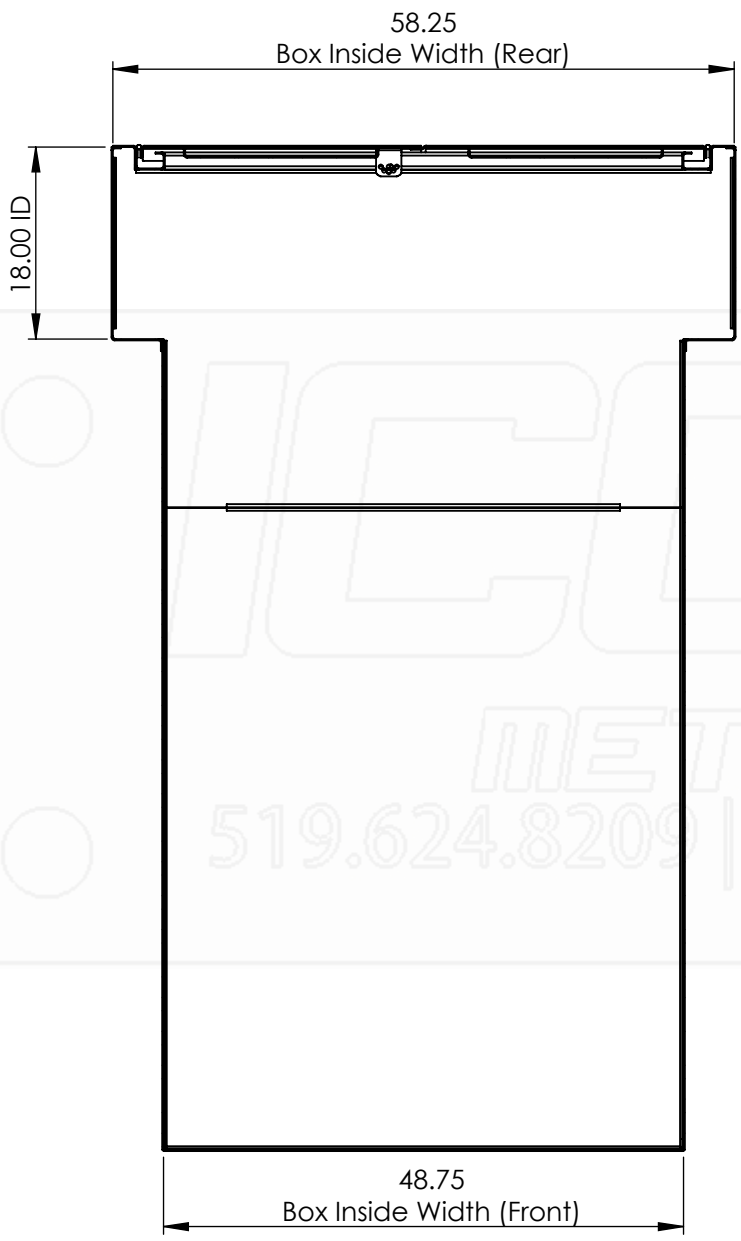
1

D

C

B

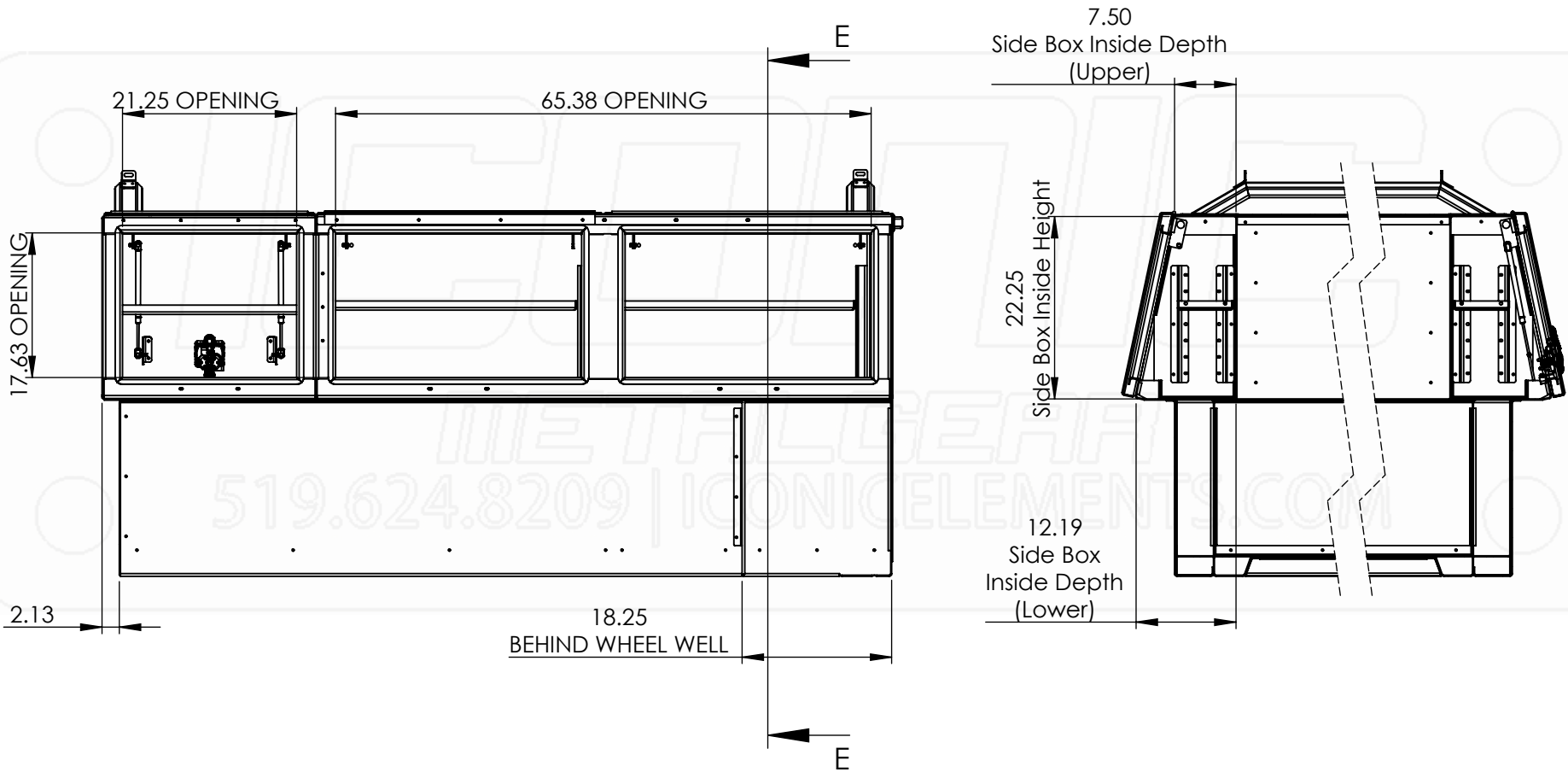
A



D
C
B
A

Part No.: 3061	MATERIAL: 5052 (Alum)	THICKNESS: 0.125	FINISH: Powder	DWG. NO.: 4129-0-00-A
	Approx. Weight: 578.01 lbs	ICONIC ELEMENTS (ICONIC METALGEAR) TITLE: X-One Truck Pack (8-Door, Long)		REV: SHEET: A 4 OF 6
Surf. Area: 737.02 sq. ft.	<small>PROPRIETARY AND CONFIDENTIAL NO PART OF THIS DOCUMENT MAY BE REPRODUCED, STORED IN A RETRIEVAL SYSTEM, OR TRANSMITTED IN ANY FORM, WITHOUT THE WRITTEN PERMISSION OF Iconic Elements Inc. (ICONIC METALGEAR)</small>			

5 4 3 2 1



Part No.:

3061

MATERIAL: 5052 (Alum)

THICKNESS: 0.125

FINISH: Powder

DWG. NO.: 4129-0-00-A

Approx. Weight: 578.01 lbs

ICONIC ELEMENTS (ICONIC METALGEAR) TITLE:

REV: SHEET:

Surf. Area: 737.02 sq. ft.

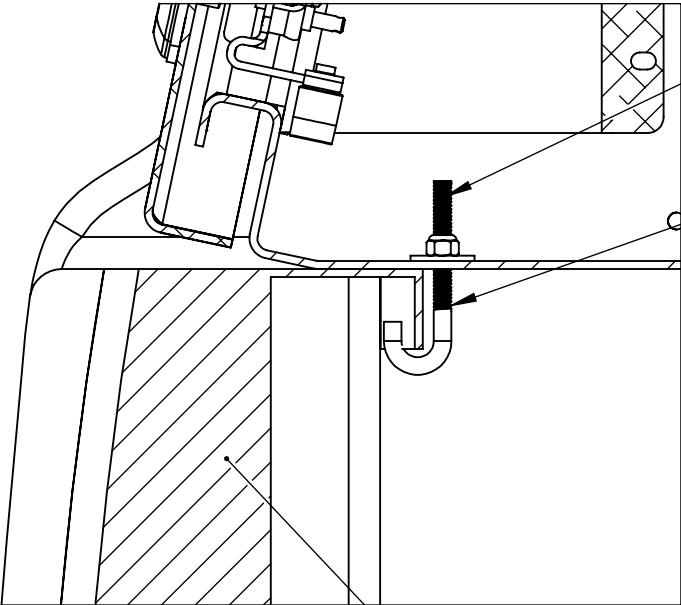
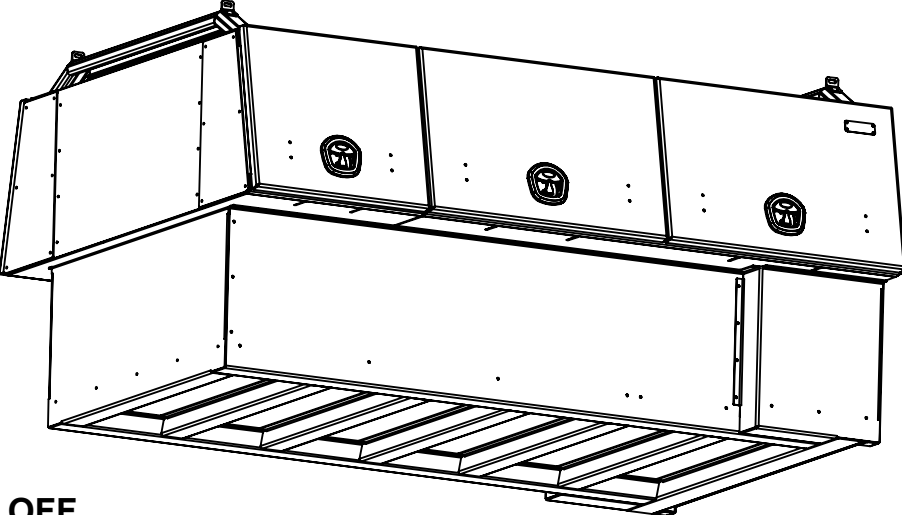
PROPRIETARY AND CONFIDENTIAL
NO PART OF THIS DOCUMENT MAY BE REPRODUCED, STORED IN A RETRIEVAL SYSTEM, OR TRANSMITTED IN ANY FORM, WITHOUT THE WRITTEN PERMISSION OF Iconic Elements Inc. (ICONIC METALGEAR)

X-One Truck Pack (8-Door, Long) A

5 OF 6

INSTALLATION GUIDE

**APPROX 3 HOURS INSTALL
(CONTACT AUTO SHOP FOR
HOOKING UP 3rd BRAKE LIGHT WIRING)**



CUT EXCESS OFF

INCLUDED HARDWARE

TRUCK BED RAIL

