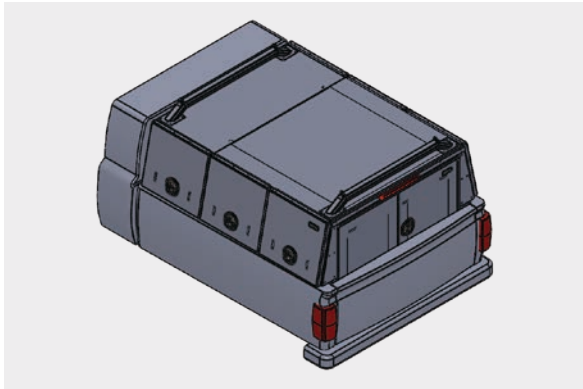




X-ONE TRUCK CAP  
**8-DOOR**

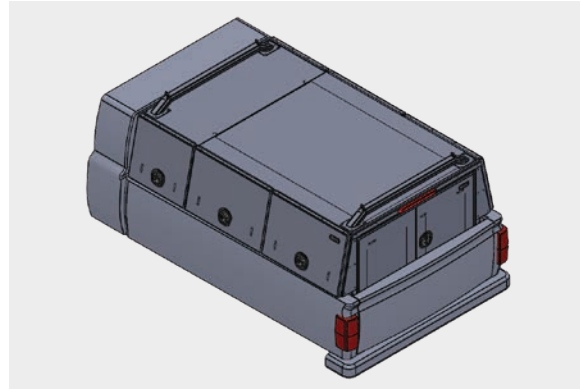


# BED SIZES:



**REGULAR BOX** (PAGE 3)

[GO TO REGULAR BOX](#)



**LONG BOX** (PAGE 9)

[GO TO LONG BOX](#)



## **NEW!** FLIP UP REAR DOOR

Choose to swap the X-ONE's standard rear barn doors for a single flip-up door. **Now available for every size and configuration.**

X-ONE CONFIGURATIONS:  
**8-DOOR VERSION**

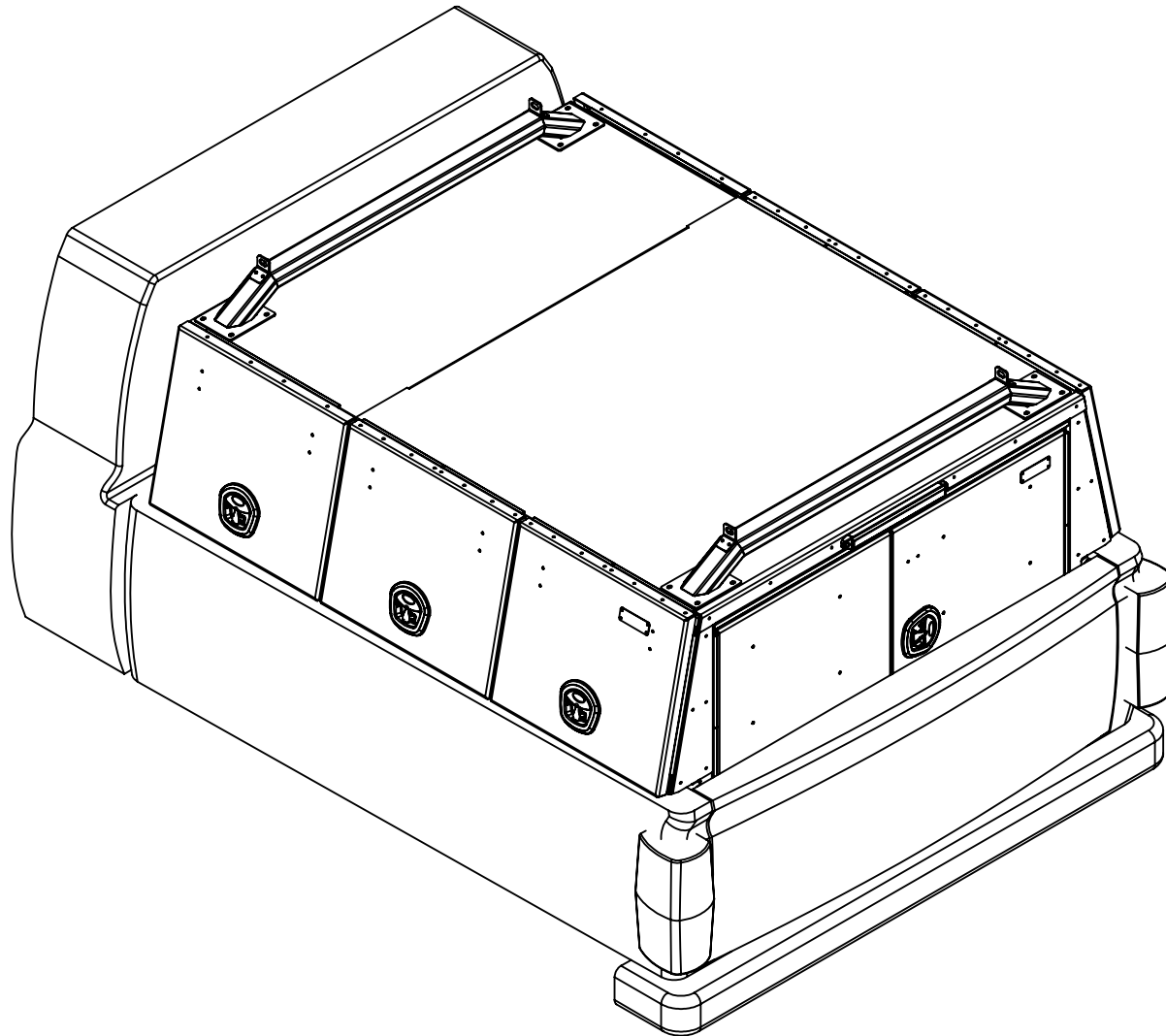


# X-ONE Truck Pack

REGULAR BOX (APROX 6.6 FT.)

8 - DOOR

CAB HEIGHT



5

4

3

2

1

D

C

B

A

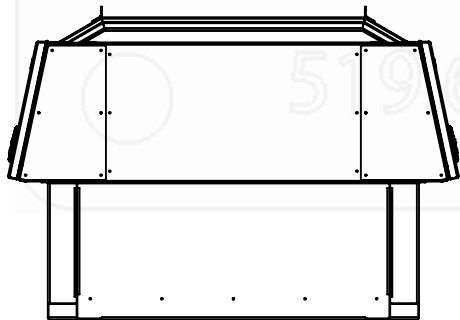
**LADDER RACK CAPACITY  
750LBS (EVENLY DISTRIBUTED) ALL DOORS**

**ALL DOORS  
HAVE GAS SHOCKS**

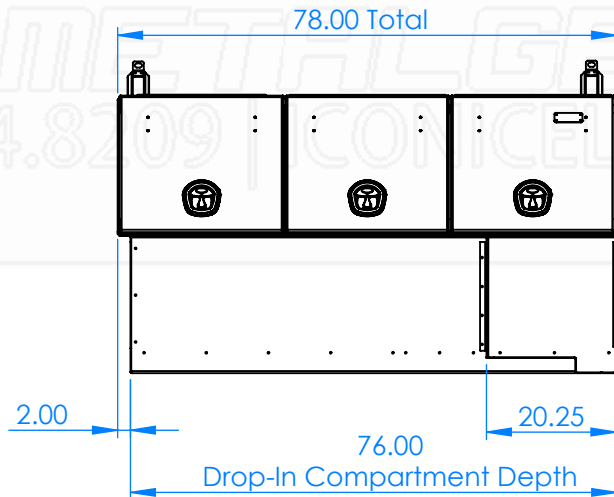
**3rd LED TAIL LIGHT**

**COATED PANEL**

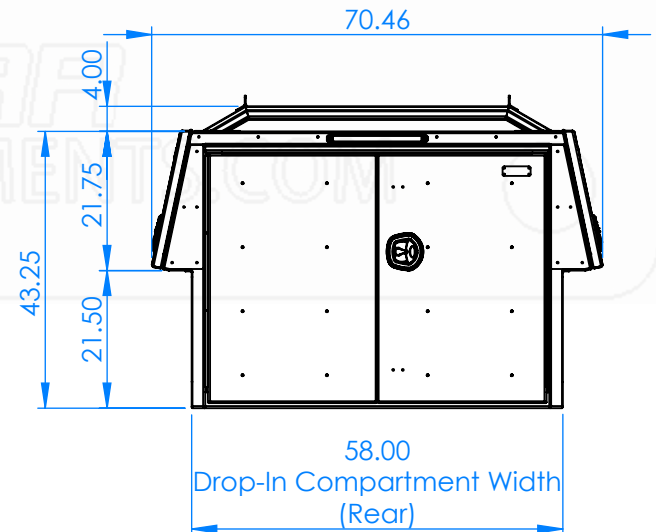
**WHALE TAIL HANDLE  
CHROME, LOCKING**



49.00  
Drop-In Compartment  
Width (Front)



78.00 Total  
2.00 76.00 20.25  
Drop-In Compartment Depth



70.46  
4.00  
21.75  
43.25  
21.50  
58.00  
Drop-In Compartment Width (Rear)

Part No.:

**3060**

MATERIAL: 5052 (Alum)

Approx. Weight: 602.71 lbs  
Surf. Area: 636.17 sq. ft.

THICKNESS: 0.125

**ICONIC ELEMENTS (ICONIC METALGEAR)** TITLE:

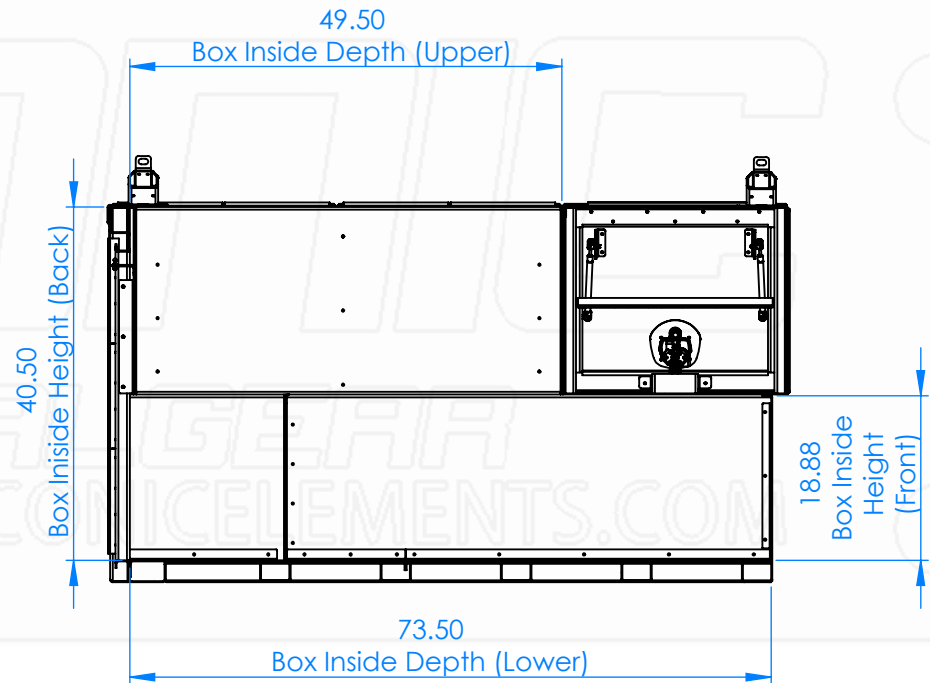
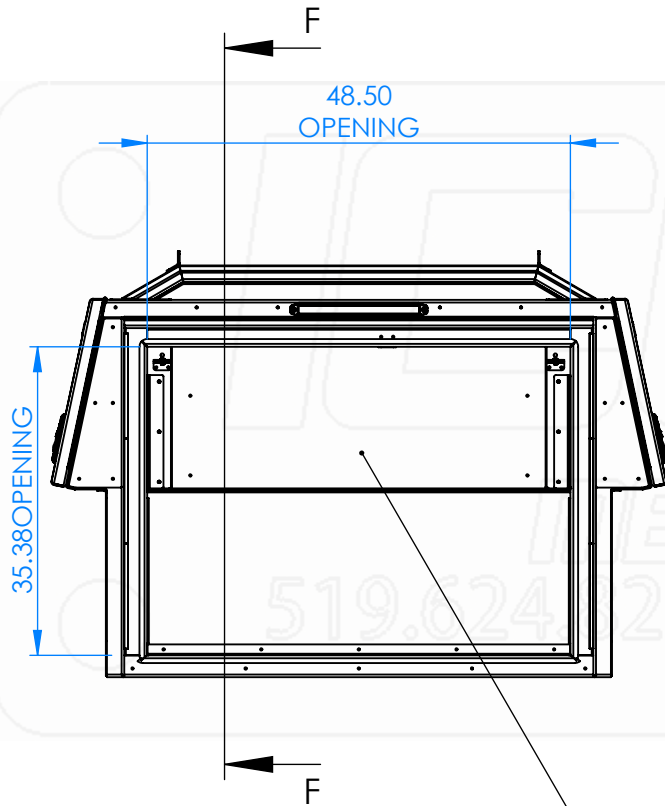
PROPRIETARY AND CONFIDENTIAL  
NO PART OF THIS DOCUMENT MAY BE REPRODUCED, STORED IN A RETRIEVAL SYSTEM, OR TRANSMITTED  
IN ANY FORM, WITHOUT THE WRITTEN PERMISSION OF Iconic Elements Inc. (ICONIC METALGEAR)

FINISH: Powder

Iconic X-One Pack

DWG. NO.: 4128-0-00-B

REV: SHEET:  
**B** 2 OF 6



**BACK DOOR OPENING = 48.5" WIDE x 35.38" HIGH**

Part No.:

**3060**

MATERIAL: 5052 (Alum)

THICKNESS: 0.125

FINISH: Powder

DWG. NO.: 4128-0-00-B

Approx. Weight: 602.71 lbs

**ICONIC ELEMENTS (ICONIC METALGEAR)** TITLE:

REV: SHEET:

Surf. Area: 636.17 sq. ft.

PROPRIETARY AND CONFIDENTIAL  
NO PART OF THIS DOCUMENT MAY BE REPRODUCED, STORED IN A RETRIEVAL SYSTEM, OR TRANSMITTED IN ANY FORM, WITHOUT THE WRITTEN PERMISSION OF Iconic Elements Inc. (ICONIC METALGEAR)

Iconic X-One Pack

**B** 3 OF 6

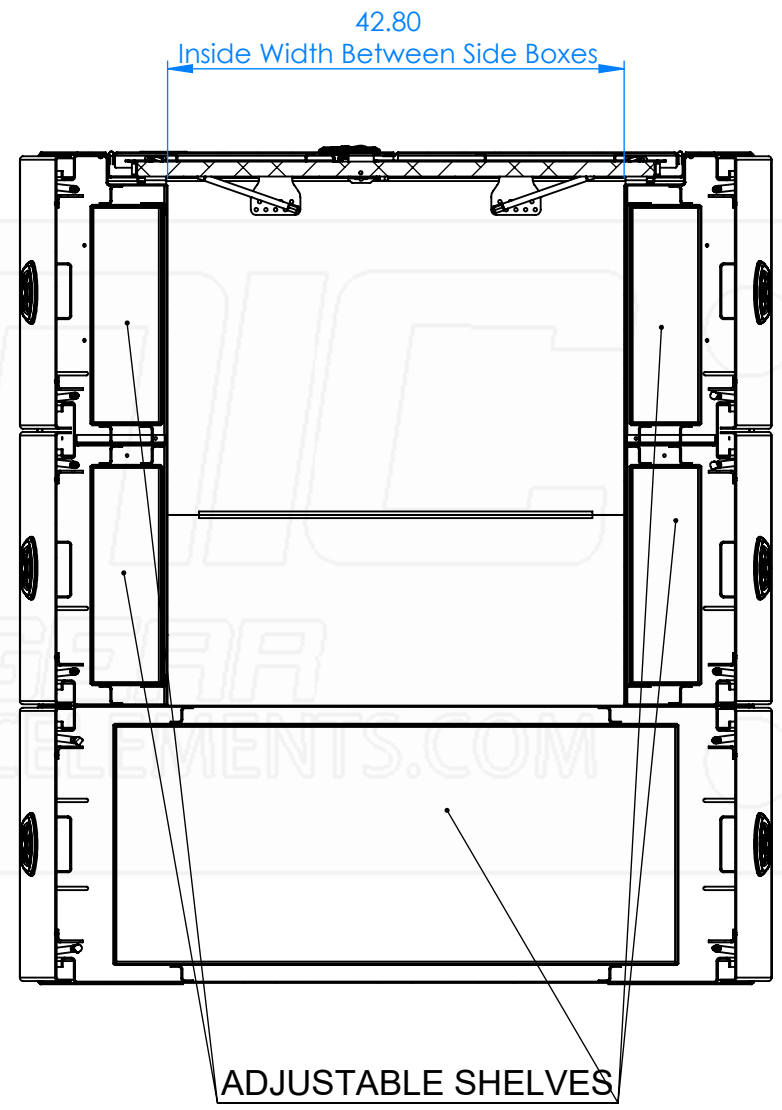
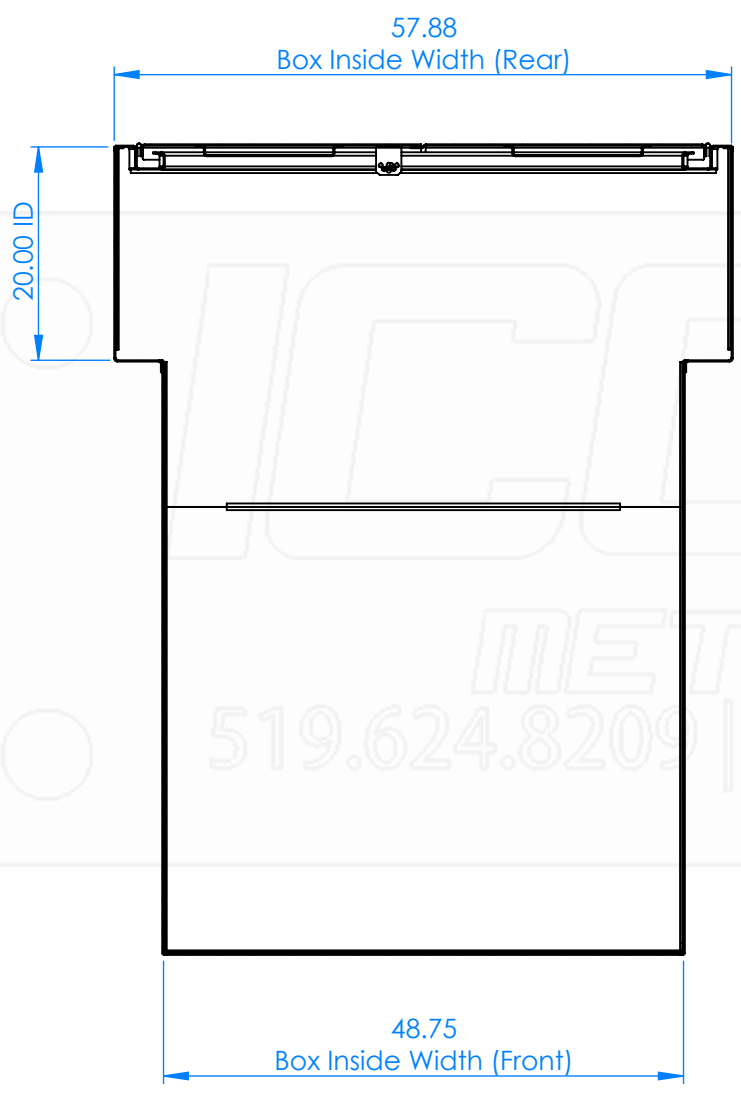
5

4

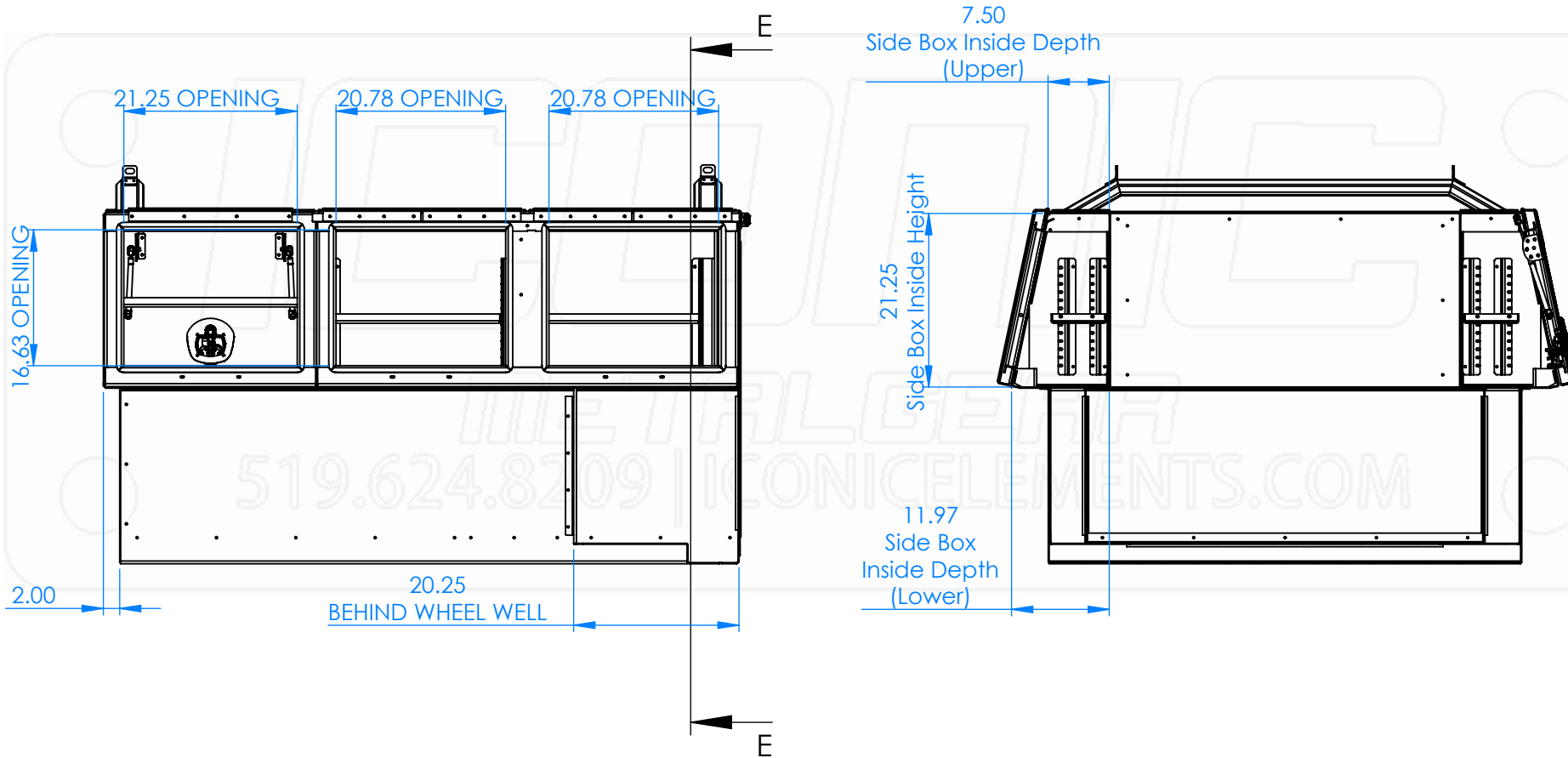
3

2

1



Part No.: <b>3060</b>	MATERIAL: 5052 (Alum)	THICKNESS: 0.125	FINISH: Powder	DWG. NO.: 4128-0-00-B
	Approx. Weight: 602.71 lbs	<b>ICONIC ELEMENTS (ICONIC METALGEAR)</b> TITLE:		REV: SHEET:
Surf. Area: 636.17 sq. ft.	<small>PROPRIETARY AND CONFIDENTIAL NO PART OF THIS DOCUMENT MAY BE REPRODUCED, STORED IN A RETRIEVAL SYSTEM, OR TRANSMITTED IN ANY FORM, WITHOUT THE WRITTEN PERMISSION OF Iconic Elements Inc. (ICONIC METALGEAR)</small>		Iconic X-One Pack	<b>B</b> 4 OF 6



Part No.:

**3060**

MATERIAL: 5052 (Alum)

THICKNESS: 0.125

FINISH: Powder

DWG. NO.: 4128-0-00-B

Approx. Weight: 602.71 lbs

**ICONIC ELEMENTS (ICONIC METALGEAR) TITLE:**

REV: SHEET:

Surf. Area: 636.17 sq. ft.

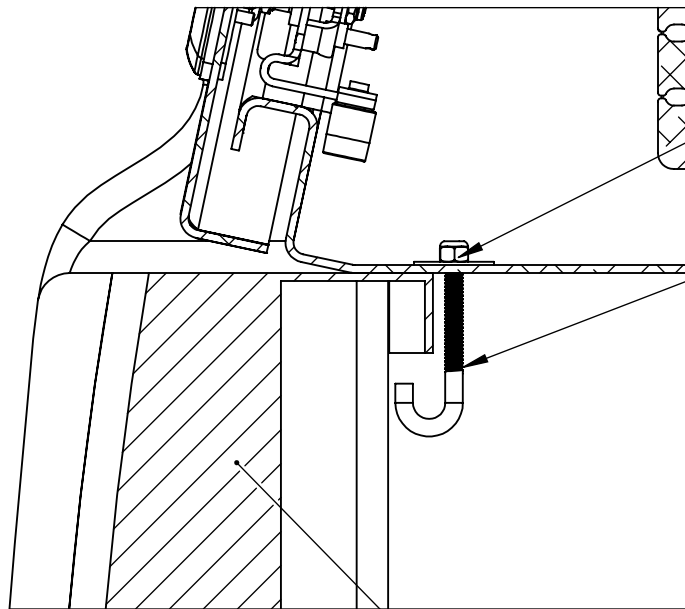
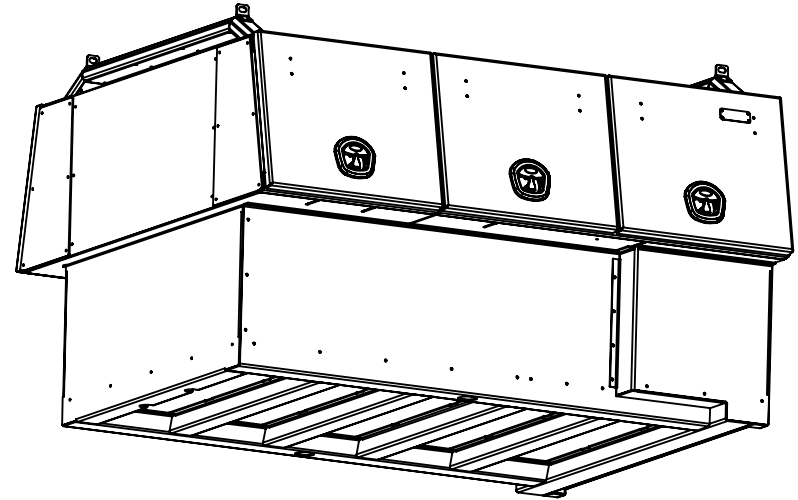
PROPRIETARY AND CONFIDENTIAL  
NO PART OF THIS DOCUMENT MAY BE REPRODUCED, STORED IN A RETRIEVAL SYSTEM, OR TRANSMITTED IN ANY FORM, WITHOUT THE WRITTEN PERMISSION OF Iconic Elements Inc. (ICONIC METALGEAR)

Iconic X-One Pack

**B** 5 OF 6

# INSTALLATION GUIDE

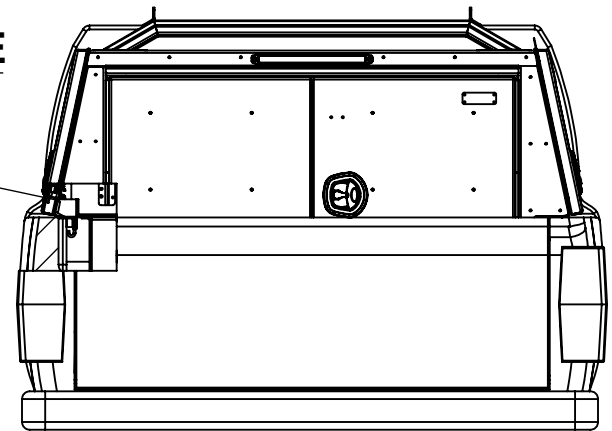
APPROX 3 HOURS INSTALL  
(CONTACT AUTO SHOP FOR  
HOOKING UP 3rd BRAKE LIGHT WIRING)



CUT EXCESS OFF

INCLUDED HARDWARE

TRUCK BED RAIL



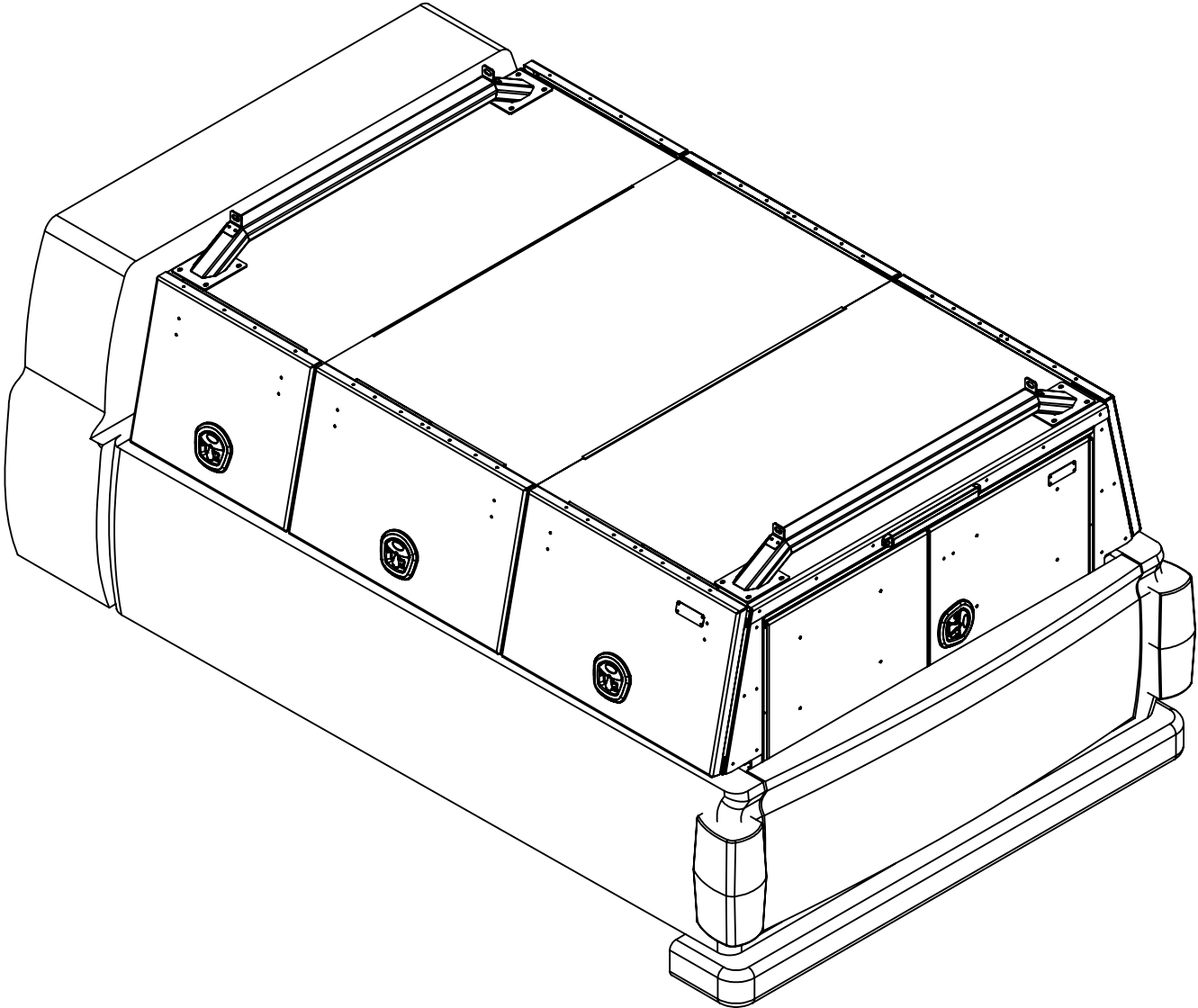


# X-ONE Truck Pack

LONG BOX (APROX 8 FT.)

8 - DOOR

CAB HEIGHT



5

4

3

2

1

D

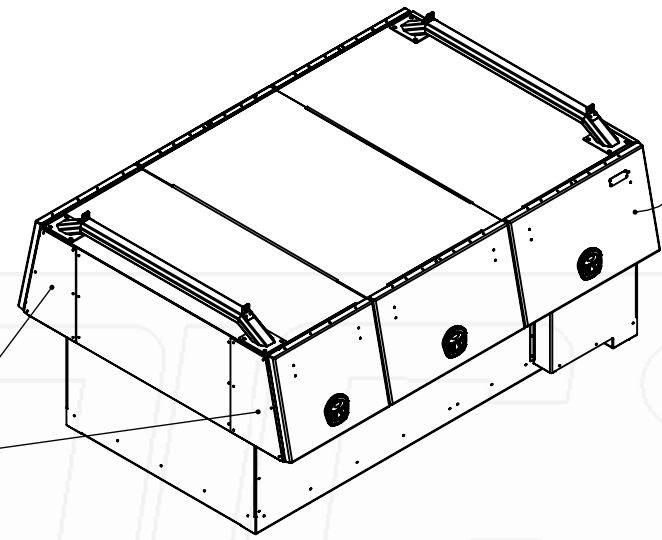
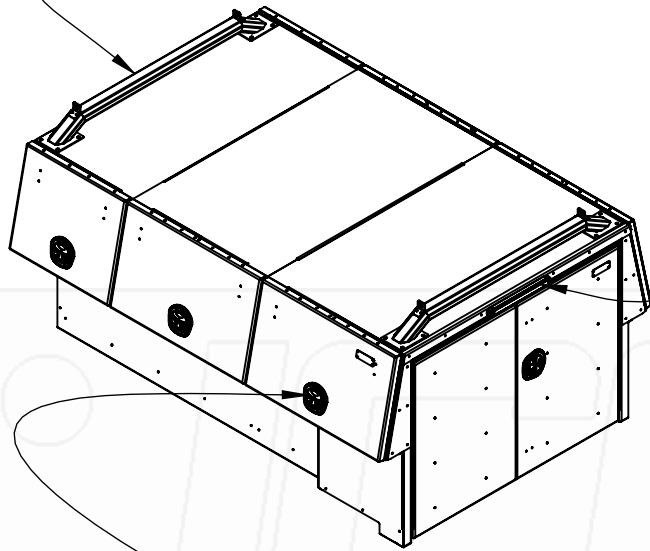
C

B

A

**LADDER RACK CAPACITY  
750LBS (EVENLY DISTRIBUTED)**

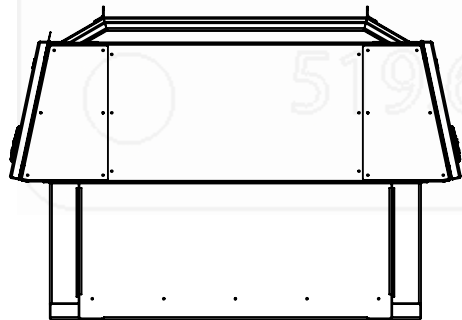
**ALL DOORS  
HAVE GAS SHOCKS**



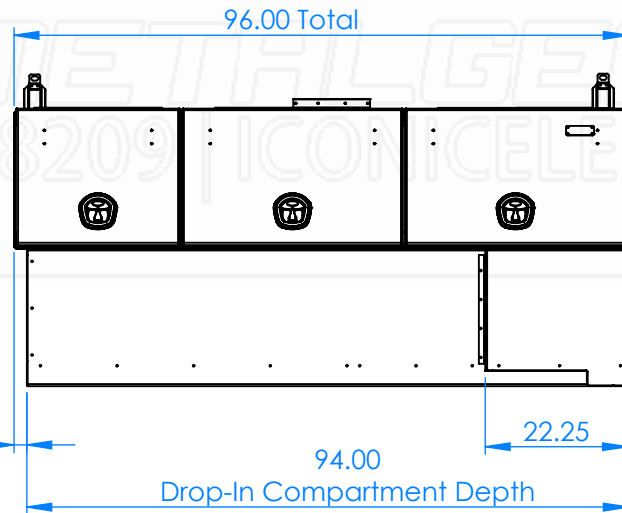
**3rd LED TAIL LIGHT**

**COATED PANEL**

**WHALE TAIL HANDLE  
CHROME, LOCKING**



49.00  
Drop-In Compartment  
Width (Front)



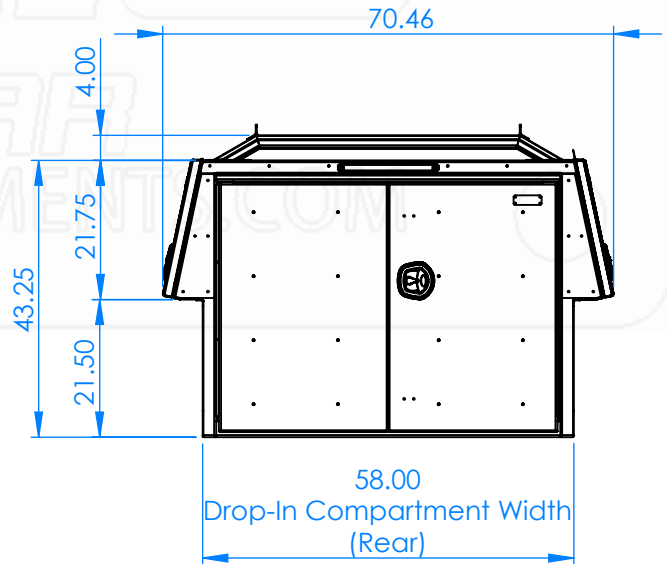
2.00

96.00 Total

94.00

Drop-In Compartment Depth

22.25



70.46

43.25

4.00

21.75

21.50

58.00  
Drop-In Compartment Width  
(Rear)

Part No.:

**3061**

MATERIAL: 5052 (Alum)

THICKNESS: 0.125

FINISH: Powder

DWG. NO.: 4129-0-00-B

Approx. Weight: 782.63 lbs

Surf. Area: 831.71 sq. ft.

**ICONIC ELEMENTS (ICONIC METALGEAR) TITLE:**

PROPRIETARY AND CONFIDENTIAL  
NO PART OF THIS DOCUMENT MAY BE REPRODUCED, STORED IN A RETRIEVAL SYSTEM, OR TRANSMITTED  
IN ANY FORM, WITHOUT THE WRITTEN PERMISSION OF Iconic Elements Inc. (ICONIC METALGEAR)

Iconic X-One Pack

REV: SHEET:

**B 2 OF 6**

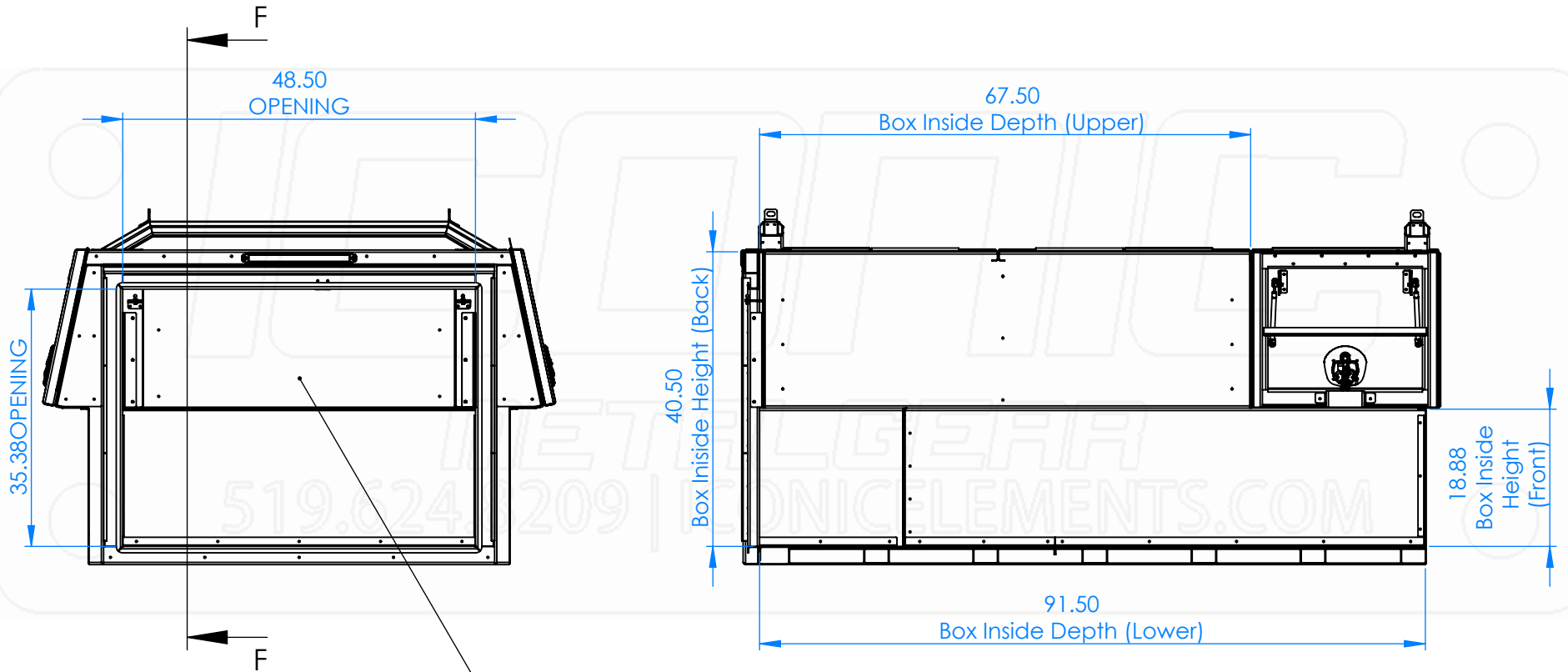
5

4

3

2

1



**BACK DOOR OPENING = 48.5" WIDE x 35.38" HIGH**

Part No.: <b>3061</b>	MATERIAL: 5052 (Alum)	THICKNESS: 0.125	FINISH: Powder	DWG. NO.: 4129-0-00-B
	Approx. Weight: 782.63 lbs	<b>ICONIC ELEMENTS (ICONIC METALGEAR)</b> TITLE:		REV: SHEET:
Surf. Area: 831.71 sq. ft.	<small>PROPRIETARY AND CONFIDENTIAL NO PART OF THIS DOCUMENT MAY BE REPRODUCED, STORED IN A RETRIEVAL SYSTEM, OR TRANSMITTED IN ANY FORM, WITHOUT THE WRITTEN PERMISSION OF Iconic Elements Inc. (ICONIC METALGEAR)</small>		Iconic X-One Pack	<b>B</b> 3 OF 6

5

4

3

2

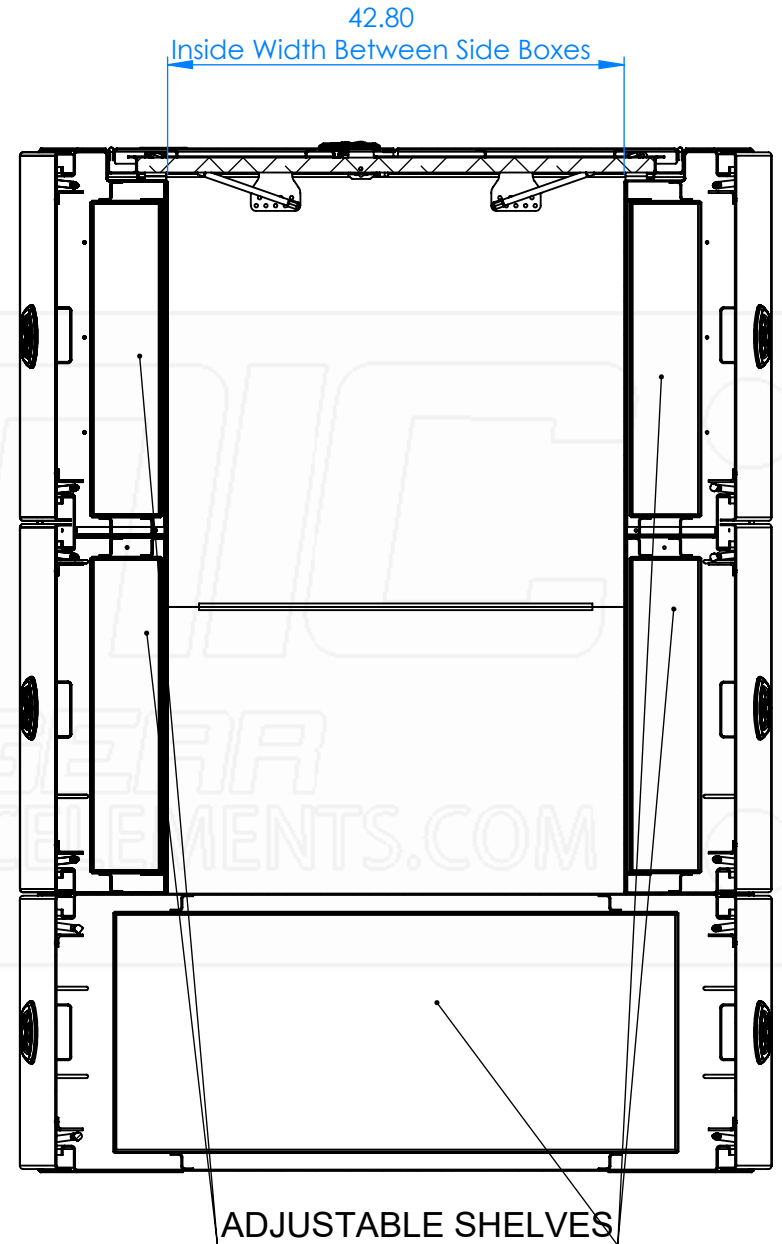
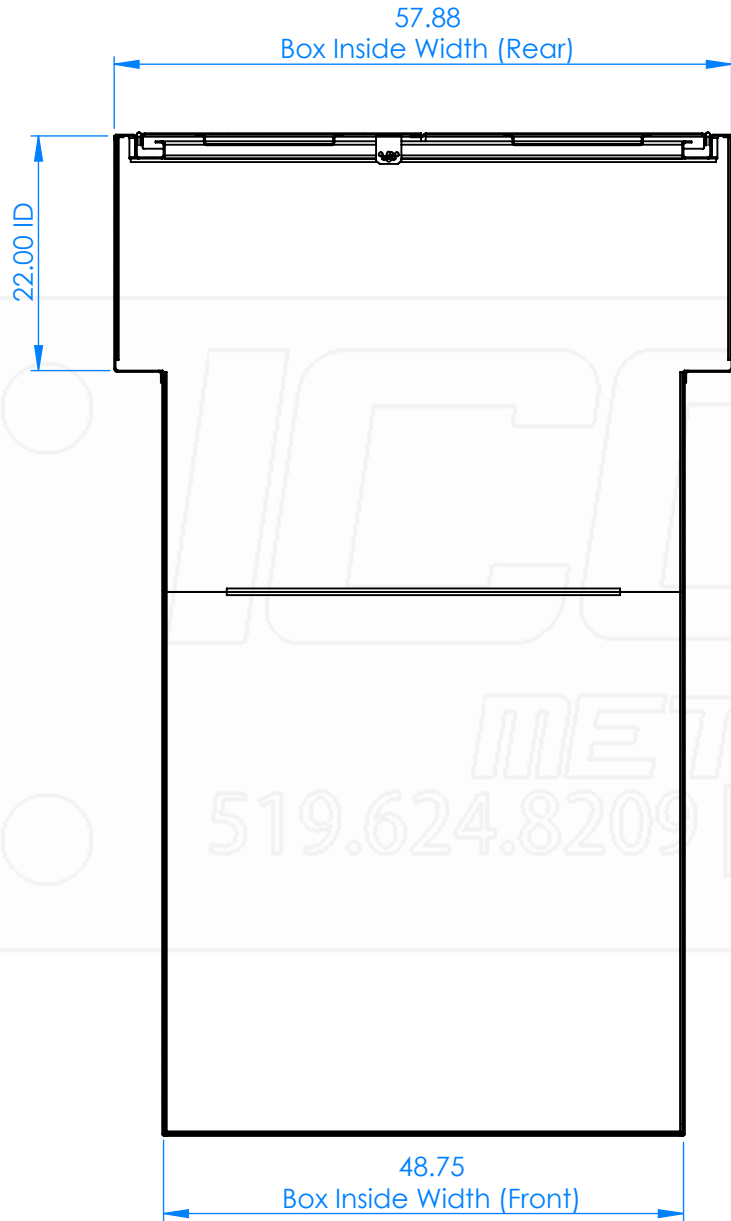
1

D

C

B

A



Part No.: <b>3061</b>	MATERIAL: 5052 (Alum)	THICKNESS: 0.125	FINISH: Powder	DWG. NO.: 4129-0-00-B
	Approx. Weight: 782.63 lbs	<b>ICONIC ELEMENTS (ICONIC METALGEAR)</b> TITLE:		REV: SHEET:
Surf. Area: 831.71 sq. ft.	<small>PROPRIETARY AND CONFIDENTIAL NO PART OF THIS DOCUMENT MAY BE REPRODUCED, STORED IN A RETRIEVAL SYSTEM, OR TRANSMITTED IN ANY FORM, WITHOUT THE WRITTEN PERMISSION OF Iconic Elements Inc. (ICONIC METALGEAR)</small>		Iconic X-One Pack	<b>B</b> 4 OF 6

5

4

3

2

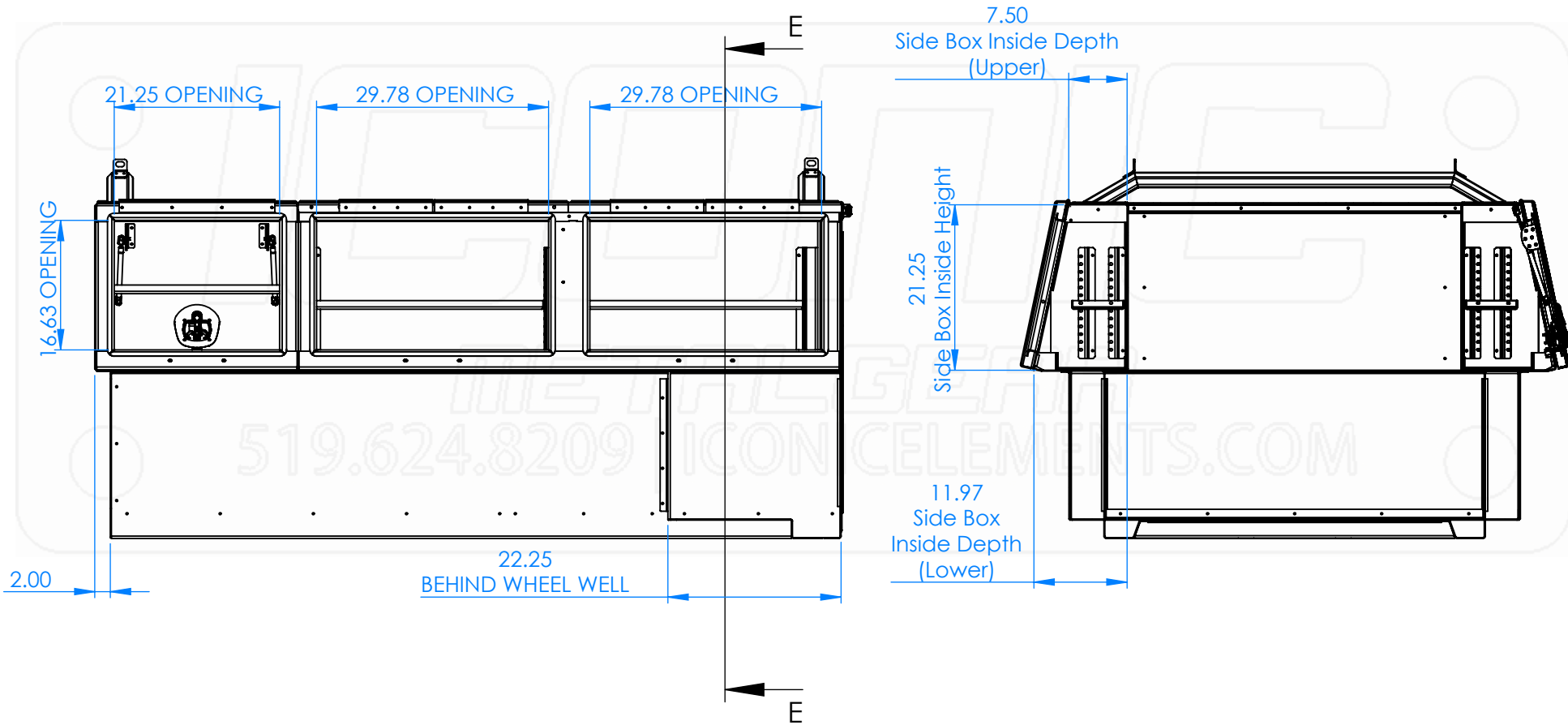
1

D

C

B

A



Part No.:

**3061**

MATERIAL: 5052 (Alum)

THICKNESS: 0.125

FINISH: Powder

DWG. NO.: 4129-0-00-B

Approx. Weight: 782.63 lbs

**ICONIC ELEMENTS (ICONIC METALGEAR)** TITLE:

REV: SHEET:

Surf. Area: 831.71 sq. ft.

PROPRIETARY AND CONFIDENTIAL  
NO PART OF THIS DOCUMENT MAY BE REPRODUCED, STORED IN A RETRIEVAL SYSTEM, OR TRANSMITTED IN ANY FORM, WITHOUT THE WRITTEN PERMISSION OF Iconic Elements Inc. (ICONIC METALGEAR)

Iconic X-One Pack

**B** 5 OF 6

5

4

3

2

1

D

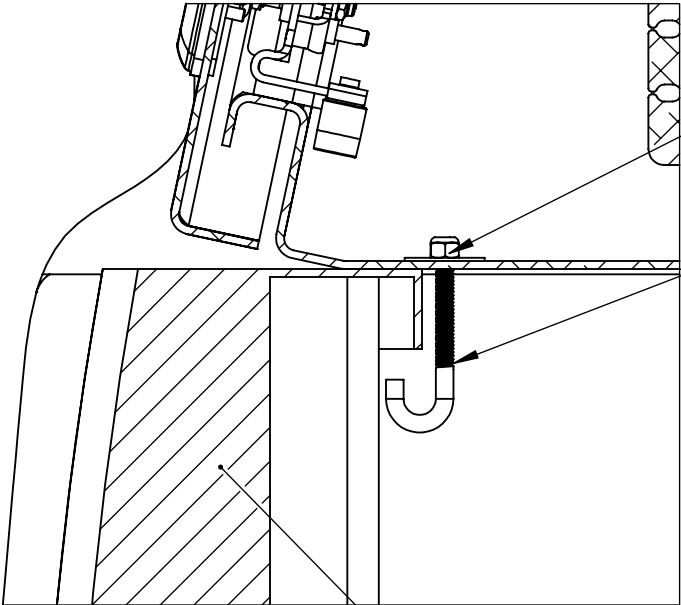
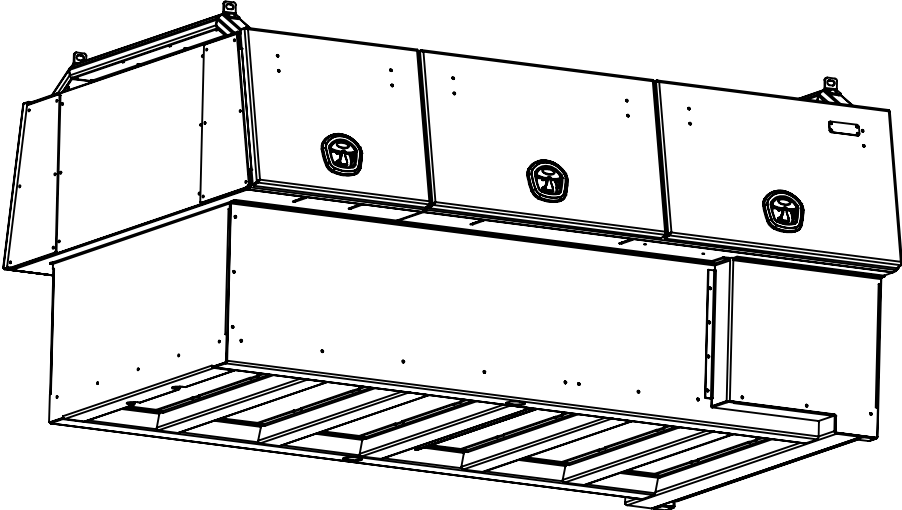
C

B

A

# INSTALLATION GUIDE

APPROX 3 HOURS INSTALL  
(CONTACT AUTO SHOP FOR  
HOOKING UP 3rd BRAKE LIGHT WIRING)



CUT EXCESS OFF

INCLUDED HARDWARE

TRUCK BED RAIL

