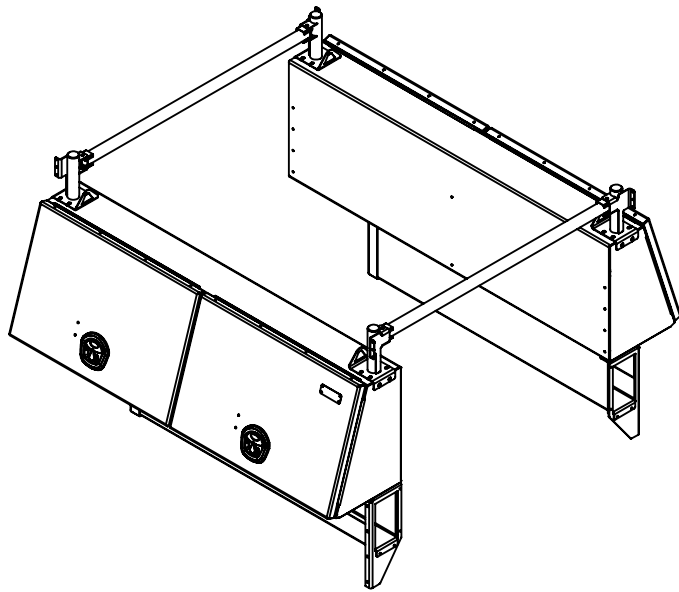




4-DOOR

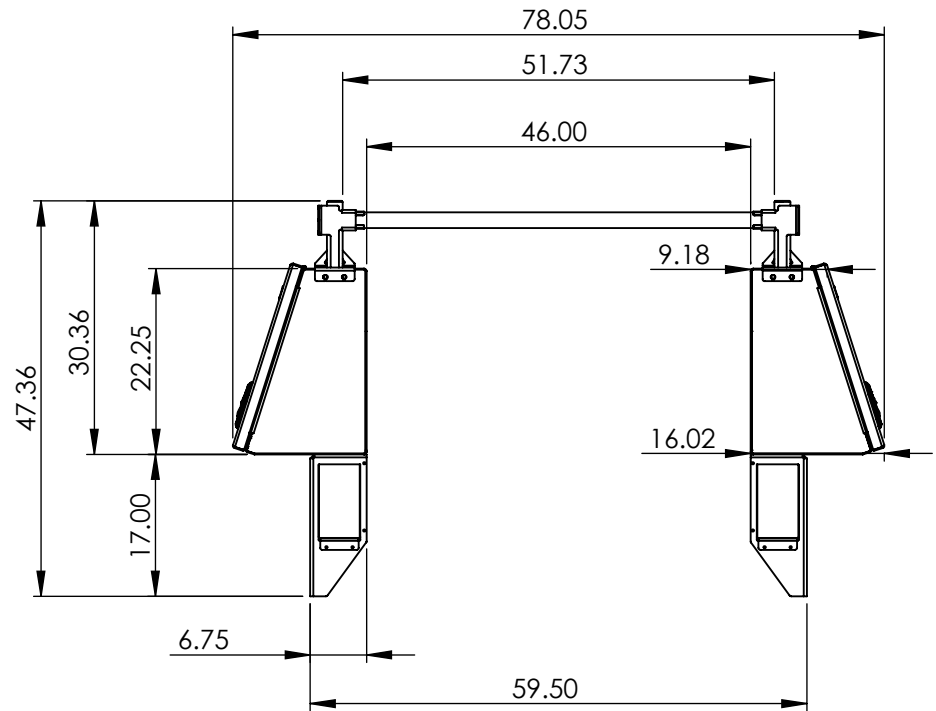
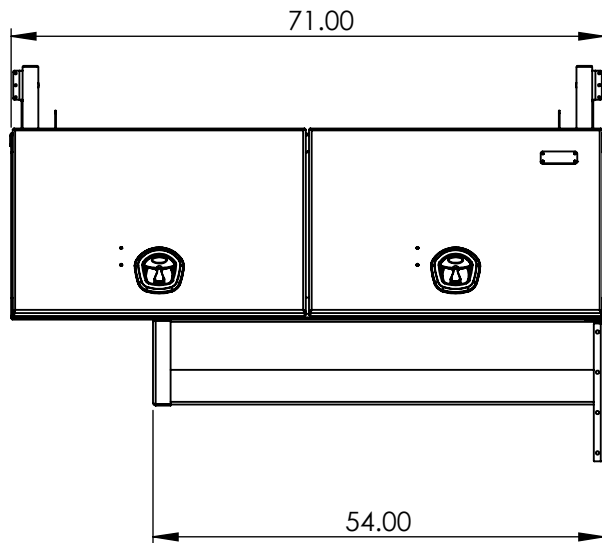
X-HIGH HIGH SIDE TRUCK PACK





STANDARD PACK INCLUDES:

- (1) x LEFT SIDE BOX w/ ADJUSTABLE SHELVES
- (1) x RIGHT SIDE BOX w/ ADJUSTABLE SHELVES
- (2) x REMOVABLE CROSS TUBES (STAINLESS)
- (4) x LADDER RACK RECEIVER POSTS (STAINLESS)
- (2) x UNDER MOUNT BED TRAYS
- (2) x BACK CORNER MOUNT GUSSETS
- (1) x HARDWARE KIT & INSTALLATION GUIDE



Part No.:

3023

MATERIAL: 5052 (Alum)

THICKNESS: 0.125

FINISH: Smooth

DWG. NO.: 4111-1-00-1

Approx. Weight: 173.83 lbs

ICONIC ELEMENTS

TITLE:

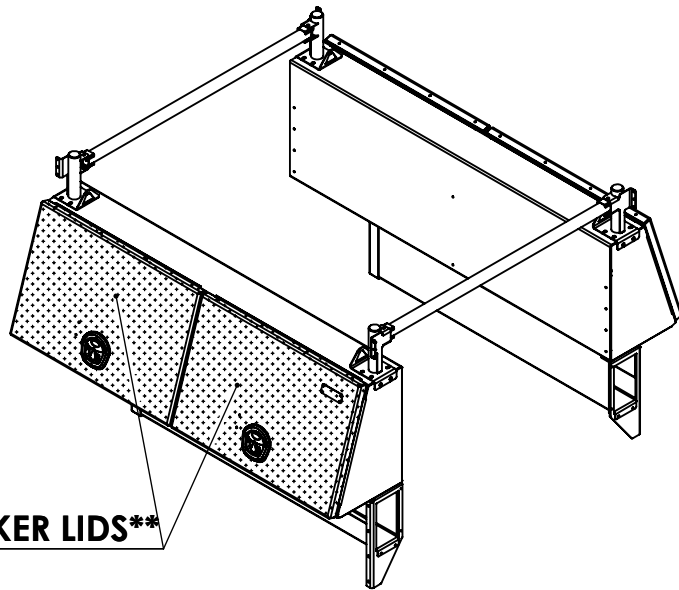
REV: SHEET:

Surf. Area: 288.24 sq. ft.

PROPRIETARY AND CONFIDENTIAL
NO PART OF THIS DOCUMENT MAY BE REPRODUCED, STORED IN A RETRIEVAL SYSTEM, OR TRANSMITTED IN ANY FORM, WITHOUT THE WRITTEN PERMISSION OF Iconic Elements Inc.

High Side Truck Pack (Short)

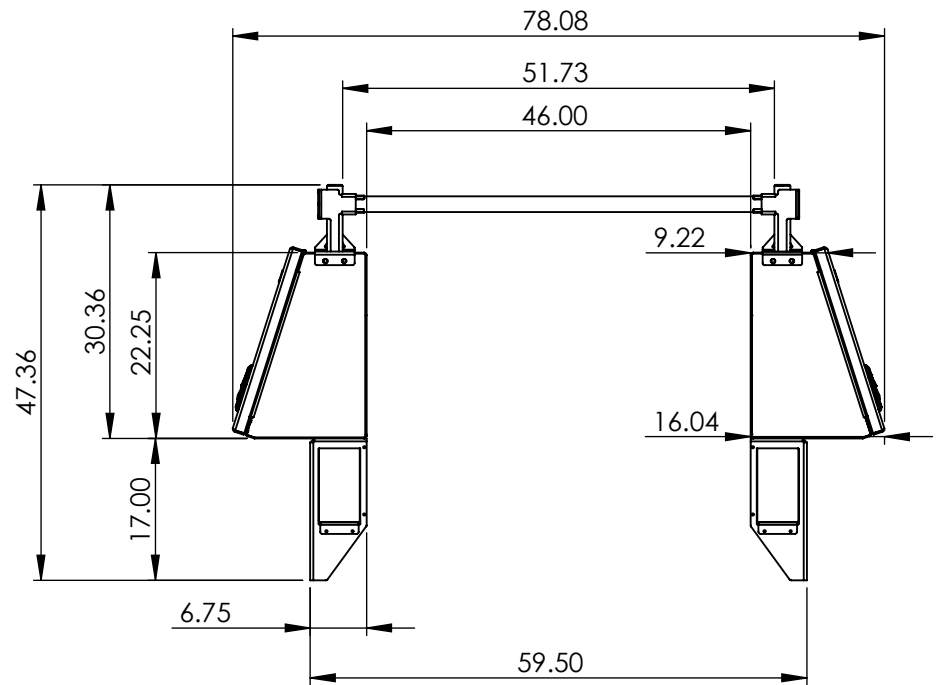
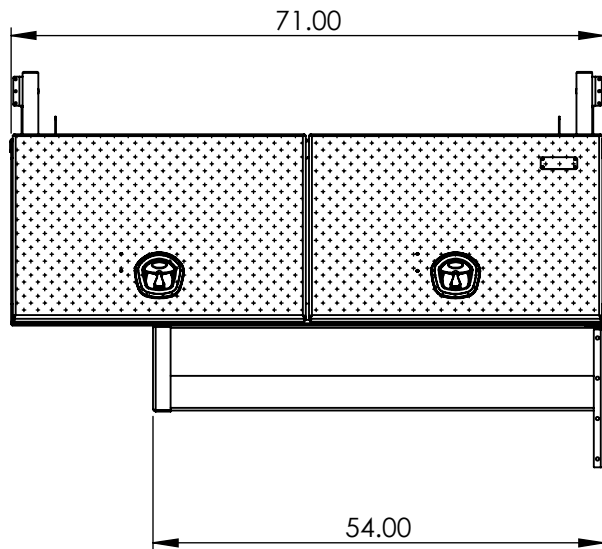
I 1 OF 1



****CHECKER LIDS****

STANDARD PACK INCLUDES:

- (1) x LEFT SIDE BOX w/ ADJUSTABLE SHELVES
- (1) x RIGHT SIDE BOX w/ ADJUSTABLE SHELVES
- (2) x REMOVABLE CROSS TUBES (STAINLESS)
- (4) x LADDER RACK RECEIVER POSTS (STAINLESS)
- (2) x UNDER MOUNT BED TRAYS
- (2) x BACK CORNER MOUNT GUSSETS
- (1) x HARDWARE KIT & INSTALLATION GUIDE



Part No.:

3024

MATERIAL: 5052 (Alum)

Approx. Weight: 184.33 lbs

Surf. Area: 288.32 sq. ft.

THICKNESS: 0.125

ICONIC ELEMENTS

PROPRIETARY AND CONFIDENTIAL
NO PART OF THIS DOCUMENT MAY BE REPRODUCED, STORED IN A RETRIEVAL SYSTEM, OR TRANSMITTED IN ANY FORM, WITHOUT THE WRITTEN PERMISSION OF Iconic Elements Inc.

FINISH: Smooth

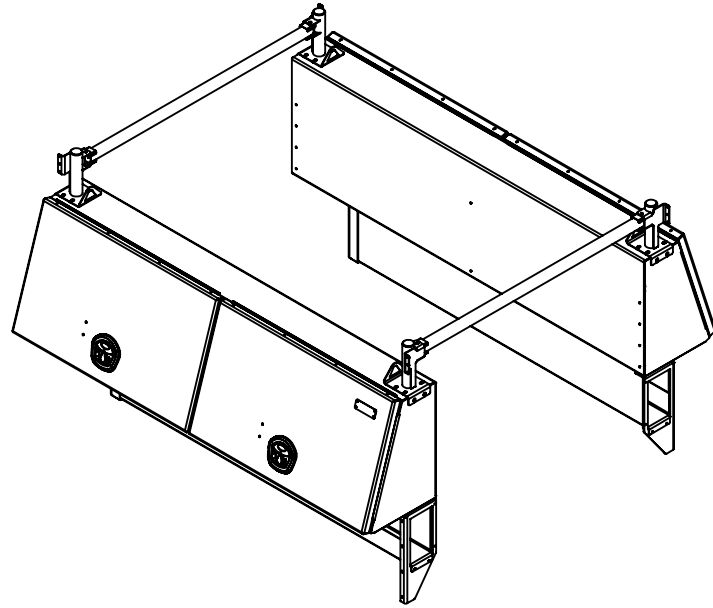
TITLE:

High Side Truck Pack (Short)

DWG. NO.: 4111-2-00-I

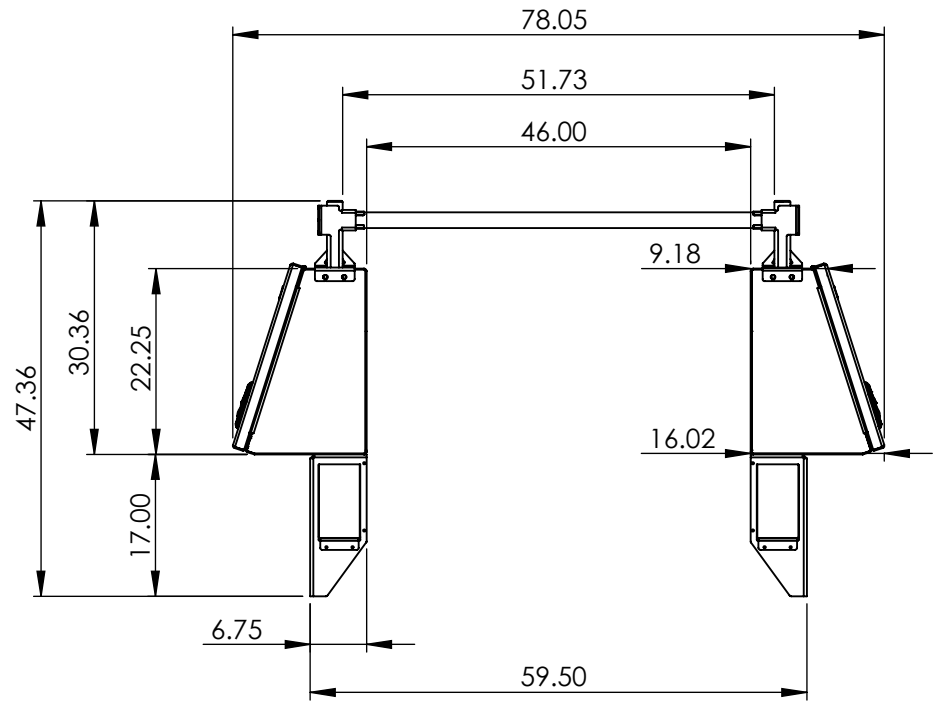
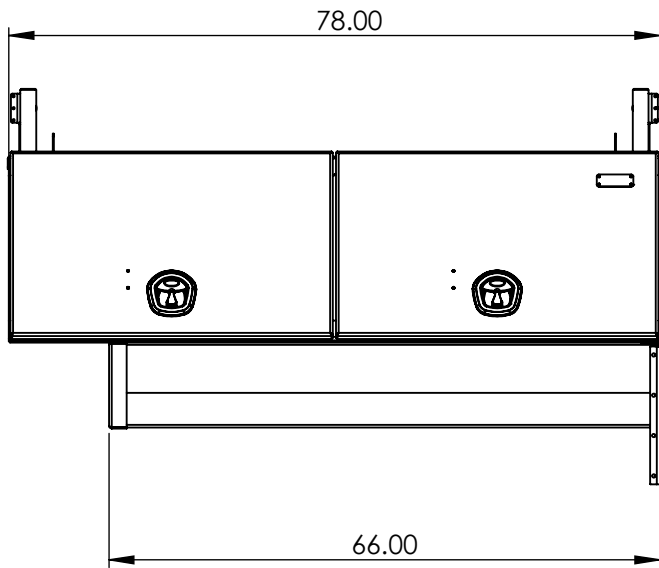
REV: SHEET:

I 1 OF 1



STANDARD PACK INCLUDES:

- (1) x LEFT SIDE BOX w/ ADJUSTABLE SHELVES
- (1) x RIGHT SIDE BOX w/ ADJUSTABLE SHELVES
- (2) x REMOVABLE CROSS TUBES (STAINLESS)
- (4) x LADDER RACK RECEIVER POSTS (STAINLESS)
- (2) x UNDER MOUNT BED TRAYS
- (2) x BACK CORNER MOUNT GUSSETS
- (1) x HARDWARE KIT & INSTALLATION GUIDE



Part No.:

3009

MATERIAL: 5052 (Alum)

Approx. Weight: 187.55 lbs

Surf. Area: 313.31 sq. ft.

THICKNESS: 0.125

ICONIC ELEMENTS

PROPRIETARY AND CONFIDENTIAL
NO PART OF THIS DOCUMENT MAY BE REPRODUCED, STORED IN A RETRIEVAL SYSTEM, OR TRANSMITTED IN ANY FORM, WITHOUT THE WRITTEN PERMISSION OF Iconic Elements Inc.

FINISH: Smooth

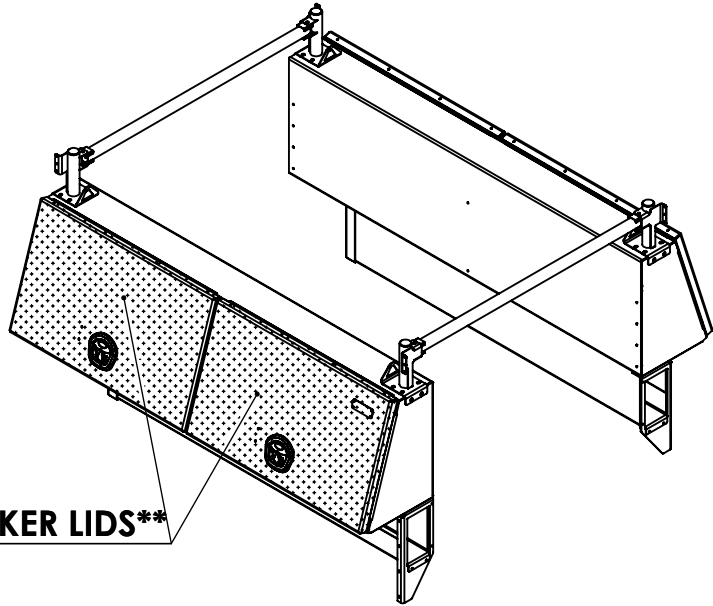
TITLE:

High Side Truck Pack (Reg.)

DWG. NO.: 4113-1-00-I

REV: SHEET:

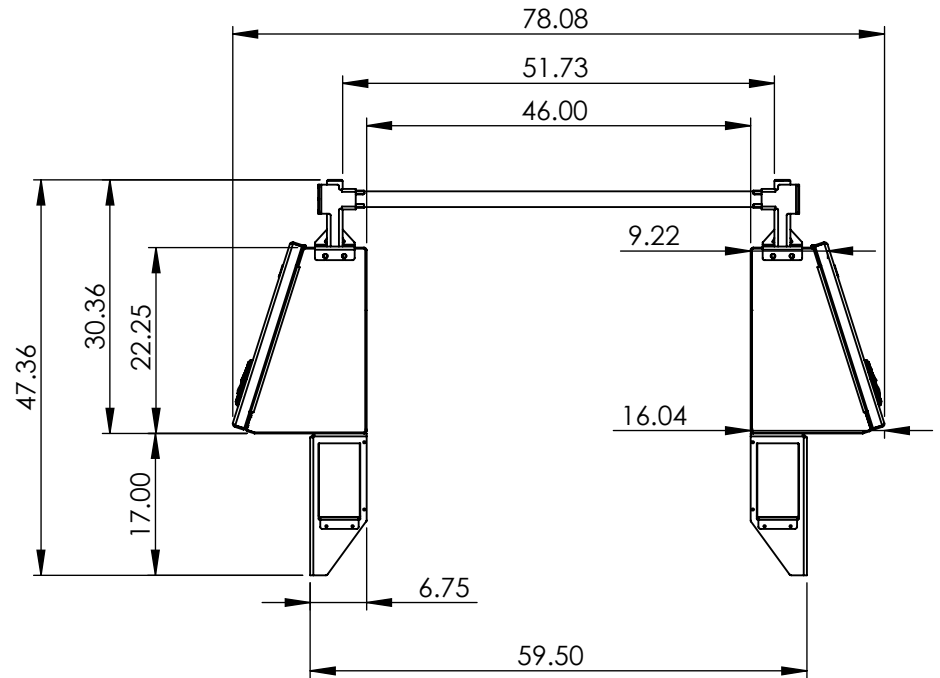
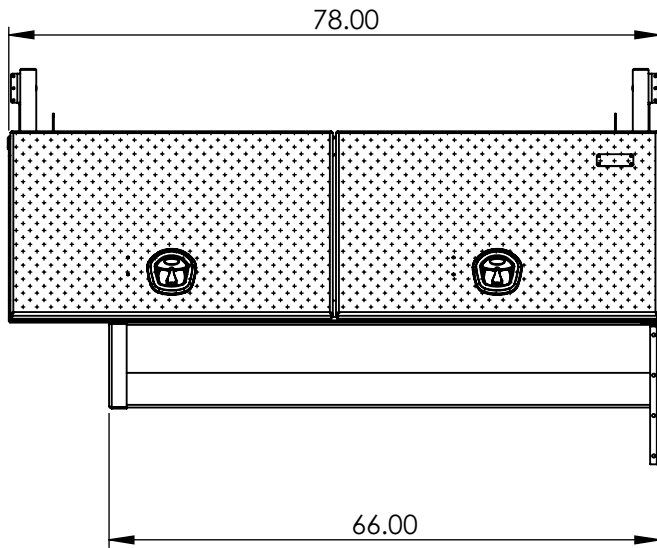
I 1 OF 1



****CHECKER LIDS****

STANDARD PACK INCLUDES:

- (1) x LEFT SIDE BOX w/ ADJUSTABLE SHELVES
- (1) x RIGHT SIDE BOX w/ ADJUSTABLE SHELVES
- (2) x REMOVABLE CROSS TUBES (STAINLESS)
- (4) x LADDER RACK RECEIVER POSTS (STAINLESS)
- (2) x UNDER MOUNT BED TRAYS
- (2) x BACK CORNER MOUNT GUSSETS
- (1) x HARDWARE KIT & INSTALLATION GUIDE



Part No.:

3017

MATERIAL: 5052 (Alum)

Approx. Weight: 199.27 lbs

Surf. Area: 314.38 sq. ft.

THICKNESS: 0.125

ICONIC ELEMENTS

PROPRIETARY AND CONFIDENTIAL
NO PART OF THIS DOCUMENT MAY BE REPRODUCED, STORED IN A RETRIEVAL SYSTEM, OR TRANSMITTED IN ANY FORM, WITHOUT THE WRITTEN PERMISSION OF Iconic Elements Inc.

FINISH: Smooth

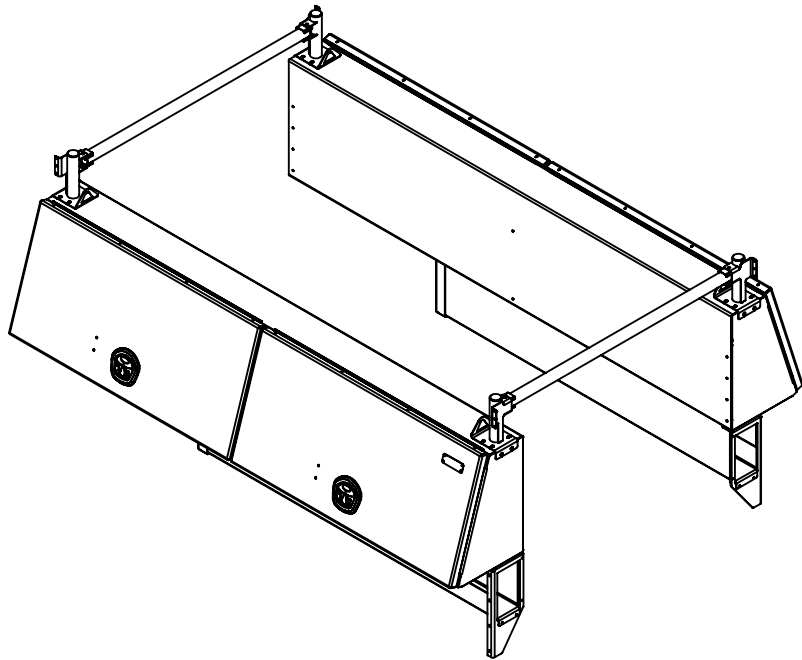
TITLE:

High Side Truck Pack (Reg.)

DWG. NO.: 4113-2-00-I

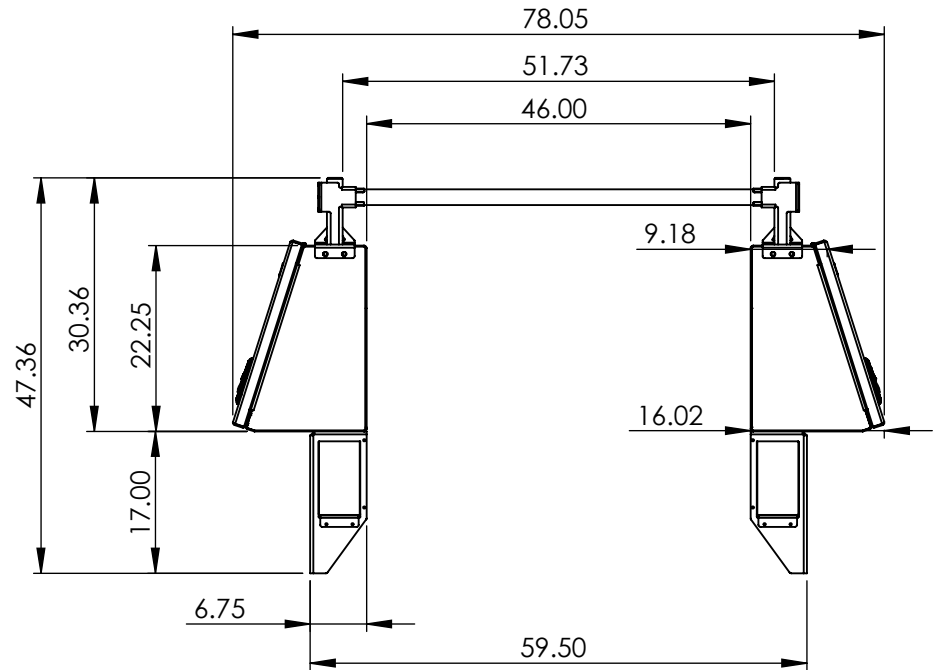
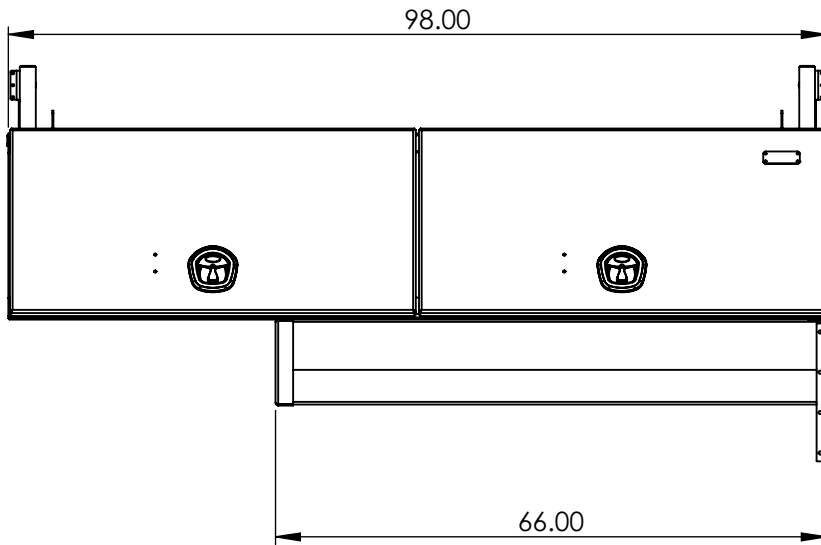
REV: SHEET:

I 1 OF 1



STANDARD PACK INCLUDES:

- (1) x LEFT SIDE BOX w/ ADJUSTABLE SHELVES
- (1) x RIGHT SIDE BOX w/ ADJUSTABLE SHELVES
- (2) x REMOVABLE CROSS TUBES (STAINLESS)
- (4) x LADDER RACK RECEIVER POSTS (STAINLESS)
- (2) x UNDER MOUNT BED TRAYS
- (2) x BACK CORNER MOUNT GUSSETS
- (1) x HARDWARE KIT & INSTALLATION GUIDE



Part No.:

3028

MATERIAL: 5052 (Alum)

THICKNESS: 0.125

FINISH: Smooth

DWG. NO.: 4115-1-00-I

Approx. Weight: 213.47 lbs

ICONIC ELEMENTS

TITLE:

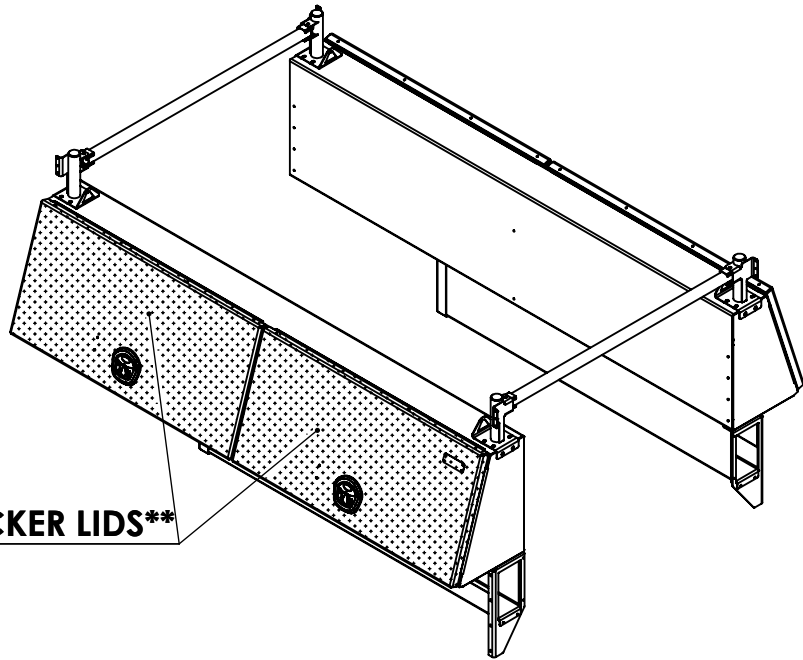
REV: SHEET:

Surf. Area: 367.52 sq. ft.

PROPRIETARY AND CONFIDENTIAL
NO PART OF THIS DOCUMENT MAY BE REPRODUCED, STORED IN A RETRIEVAL SYSTEM, OR TRANSMITTED IN ANY FORM, WITHOUT THE WRITTEN PERMISSION OF Iconic Elements Inc.

High Side Truck Pack (Long)

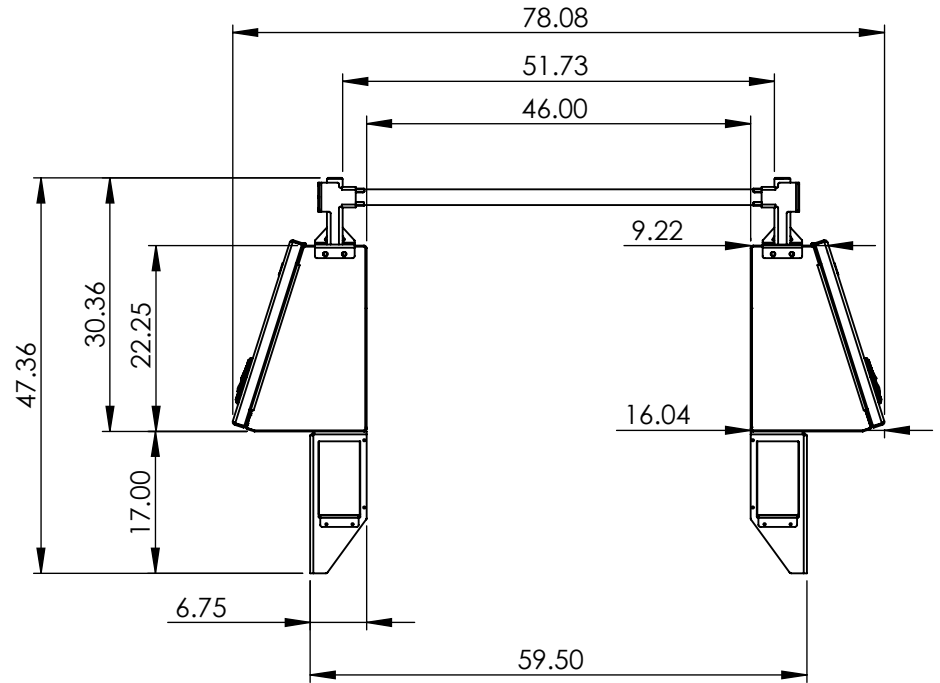
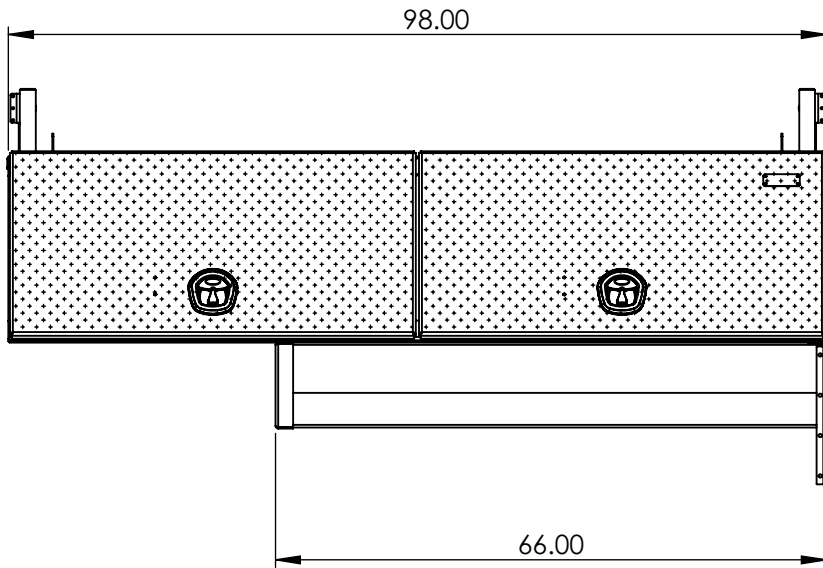
I 1 OF 1



****CHECKER LIDS****

STANDARD PACK INCLUDES:

- (1) x LEFT SIDE BOX w/ ADJUSTABLE SHELVES
- (1) x RIGHT SIDE BOX w/ ADJUSTABLE SHELVES
- (2) x REMOVABLE CROSS TUBES (STAINLESS)
- (4) x LADDER RACK RECEIVER POSTS (STAINLESS)
- (2) x UNDER MOUNT BED TRAYS
- (2) x BACK CORNER MOUNT GUSSETS
- (1) x HARDWARE KIT & INSTALLATION GUIDE



Part No.:

3018

MATERIAL: 5052 (Alum)

THICKNESS: 0.125

FINISH: Smooth

DWG. NO.: 4115-2-00-I

Approx. Weight: 227.82 lbs

ICONIC ELEMENTS

TITLE:

REV: SHEET:

Surf. Area: 367.61 sq. ft.

PROPRIETARY AND CONFIDENTIAL
NO PART OF THIS DOCUMENT MAY BE REPRODUCED, STORED IN A RETRIEVAL SYSTEM, OR TRANSMITTED IN ANY FORM, WITHOUT THE WRITTEN PERMISSION OF Iconic Elements Inc.

High Side Truck Pack (Long)

I 1 OF 1