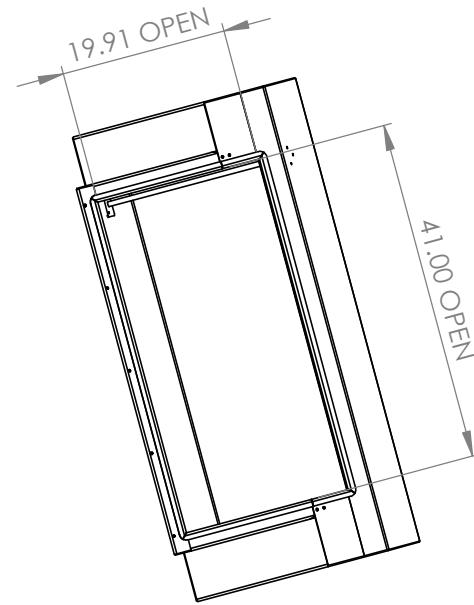
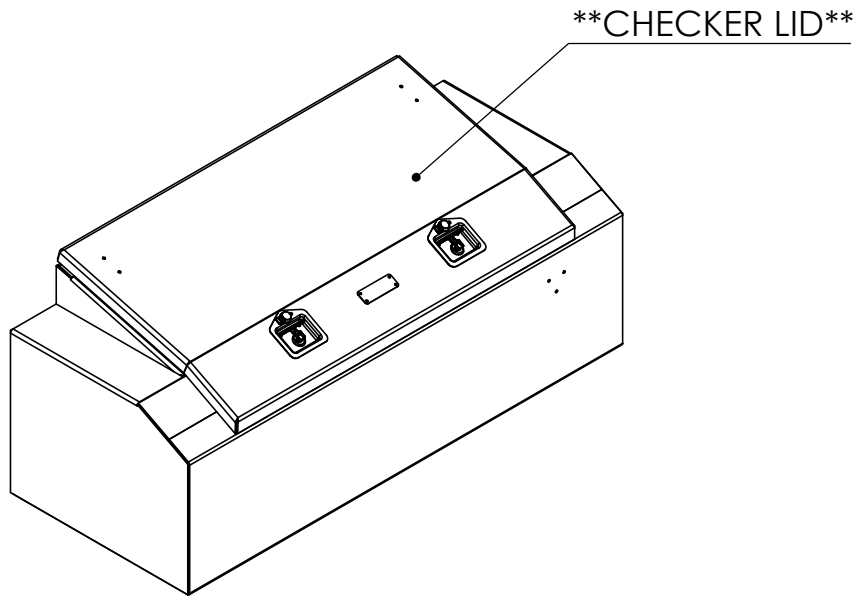




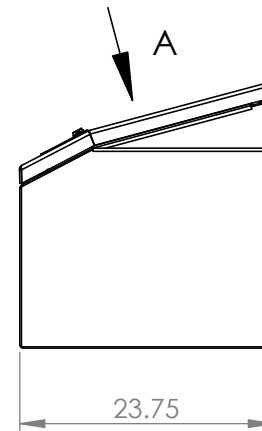
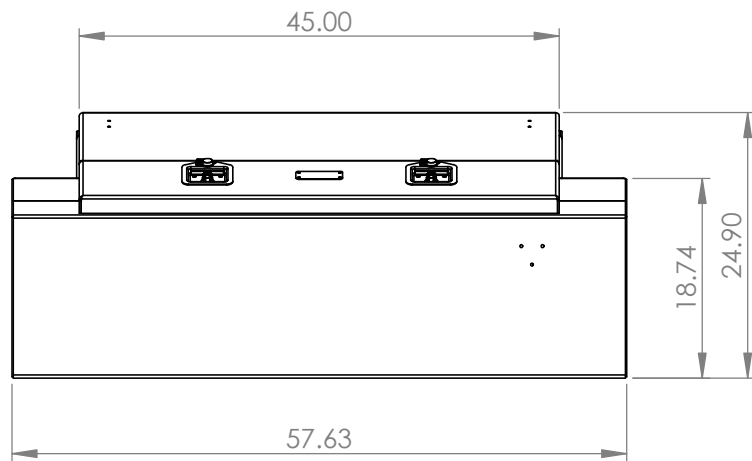
ALL PACKS

X-HIGH ACCESSORIES





VIEW A



Part No.:

3019

MATERIAL: 5052 (Alum)

Approx. Weight: 77.42 lbs

Surf. Area: 103.36 sq. ft.

THICKNESS: 0.125

ICONIC ELEMENTS

PROPRIETARY AND CONFIDENTIAL
NO PART OF THIS DOCUMENT MAY BE REPRODUCED, STORED IN A RETRIEVAL SYSTEM, OR TRANSMITTED IN ANY FORM, WITHOUT THE WRITTEN PERMISSION OF Iconic Elements Inc.

FINISH: Smooth

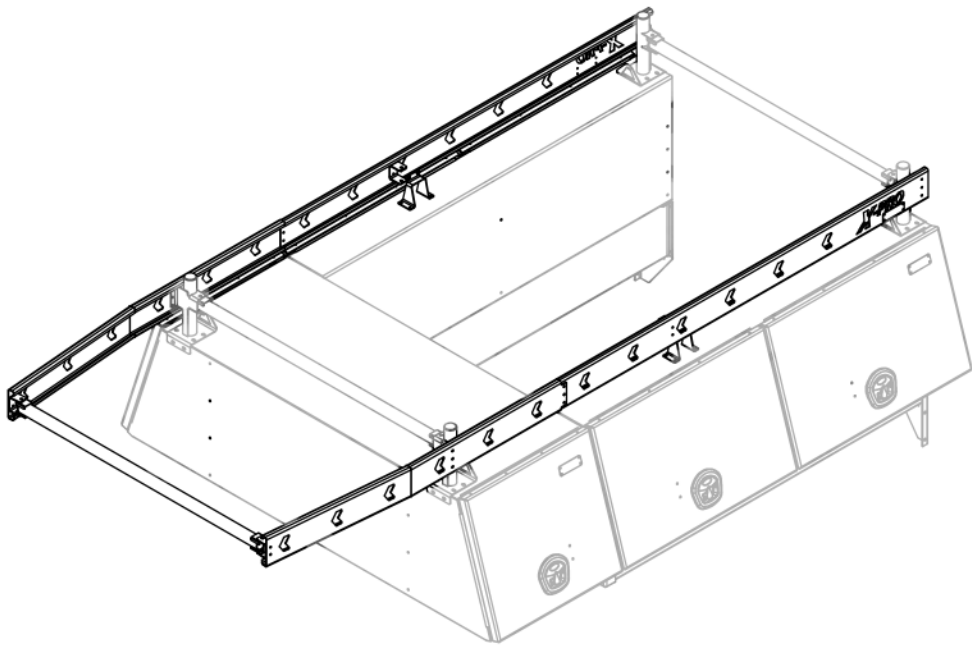
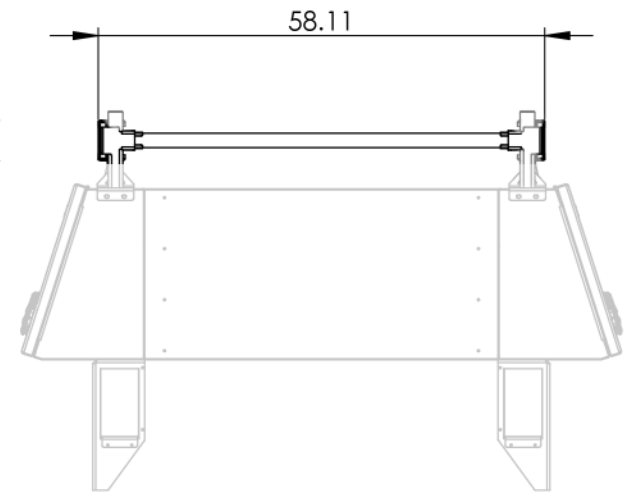
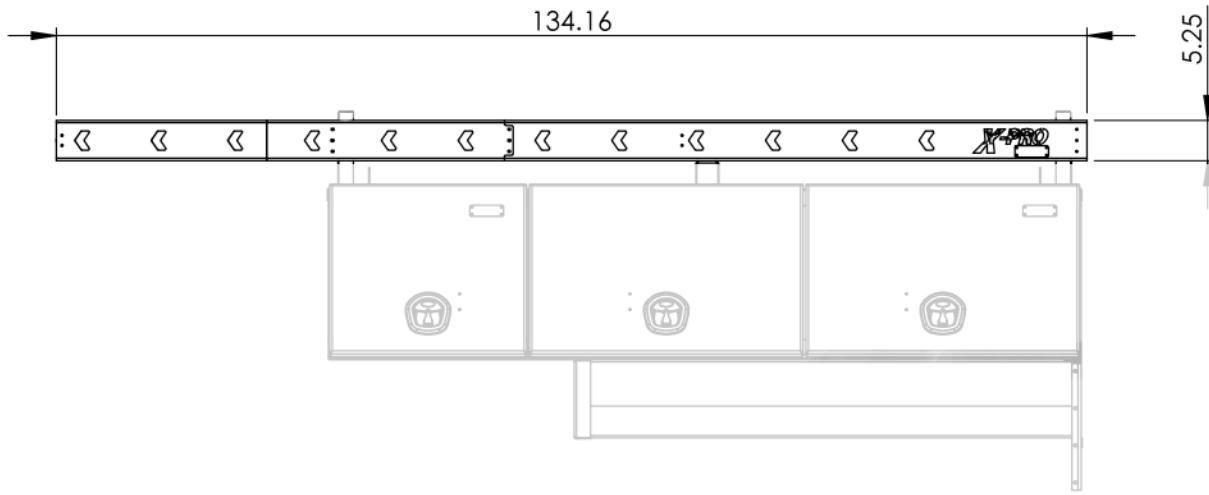
TITLE:

Chest Box

DWG. NO.: 4109-0-00-C

REV: SHEET:

C 1 OF 1



****HARDWARE INCLUDED****

Part No.: 3029	MATERIAL: 5052 (Alum)	THICKNESS: 0.125	FINISH: Smooth	DWG. NO.: 4107-16-00-A
	Approx. Weight: 37.72 lbs	ICONIC ELEMENTS <small>PROPRIETARY AND CONFIDENTIAL NO PART OF THIS DOCUMENT MAY BE REPRODUCED, STORED IN A RETRIEVAL SYSTEM, OR TRANSMITTED IN ANY FORM, WITHOUT THE WRITTEN PERMISSION OF Iconic Elements Inc.</small>		TITLE: Roof Rail - Long
Surf. Area: 34.67 sq. ft.				REV: A SHEET: 1 OF 1

5

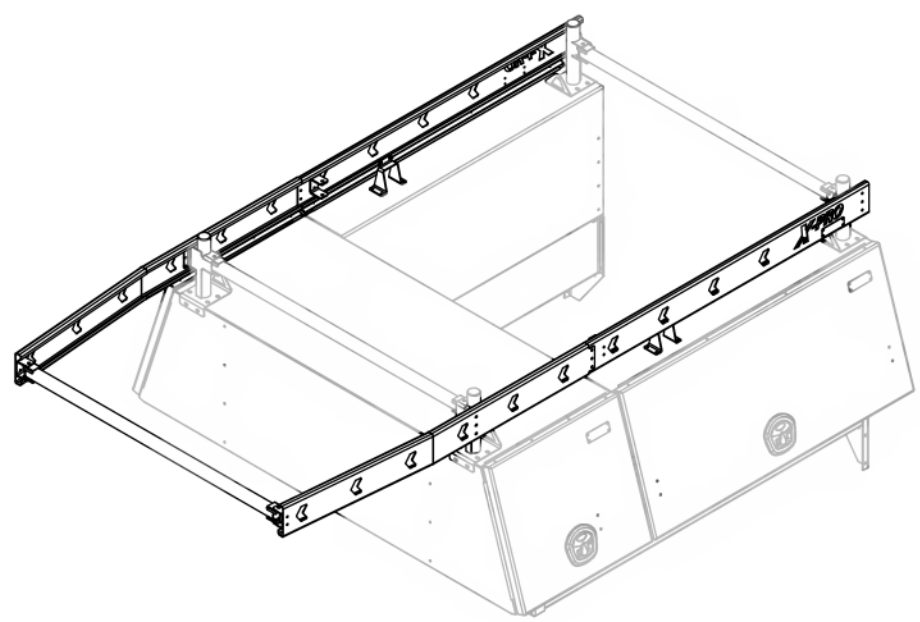
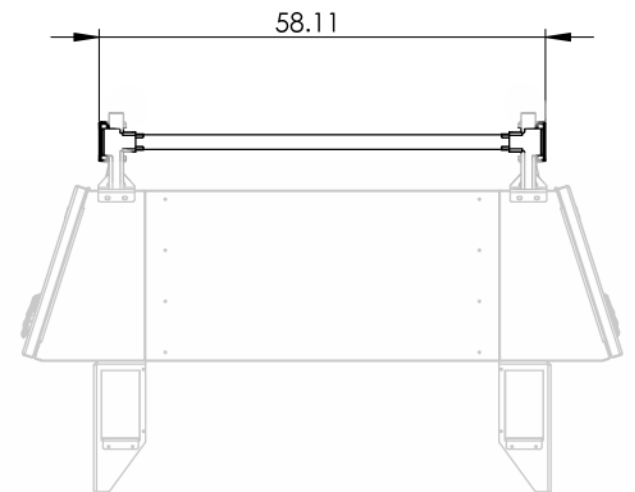
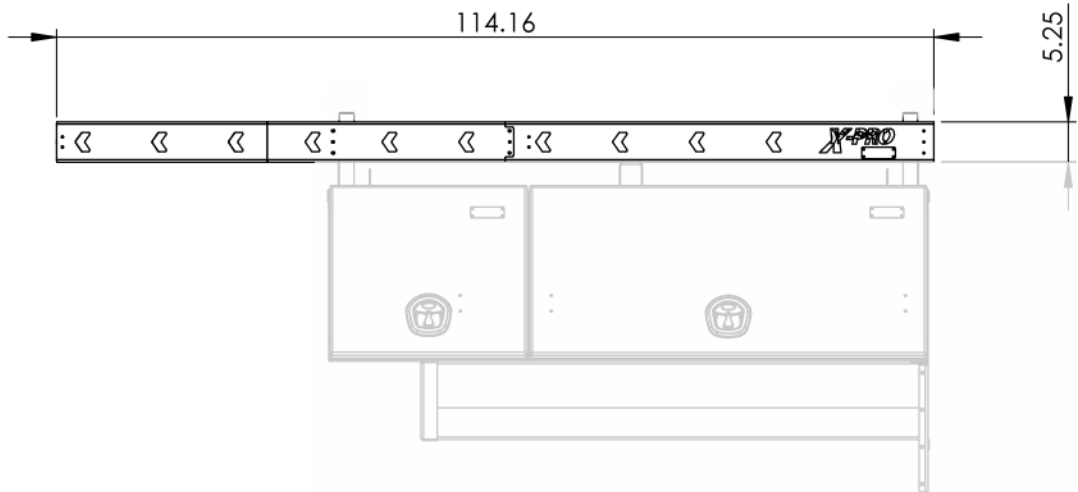
4

3

2

1

D
C
B
A



****HARDWARE INCLUDED****

Part No.: 3037	MATERIAL: 5052 (Alum) Approx. Weight: 34.08 lbs Surf. Area: 30.4 sq. ft.	THICKNESS: 0.125 ICONIC ELEMENTS <small>PROPRIETARY AND CONFIDENTIAL NO PART OF THIS DOCUMENT MAY BE REPRODUCED, STORED IN A RETRIEVAL SYSTEM, OR TRANSMITTED IN ANY FORM, WITHOUT THE WRITTEN PERMISSION OF Iconic Elements Inc.</small>	FINISH: Smooth TITLE: Roof Rail - Reg.	DWG. NO.: 4107-17-00-A REV: A	SHEET: 1 OF 1
--------------------------	--	---	--	----------------------------------	------------------

5

4

3

2

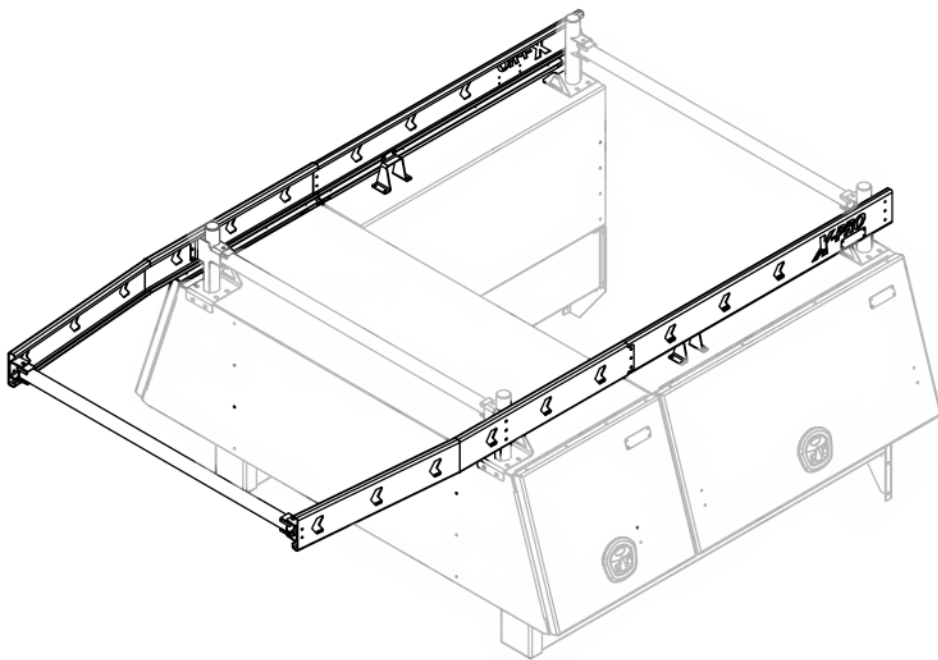
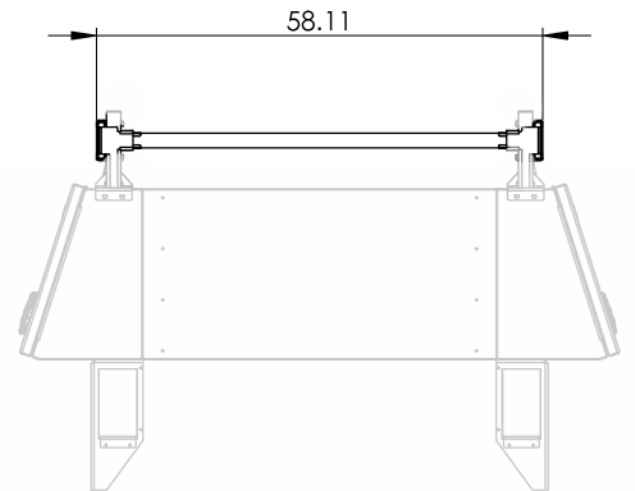
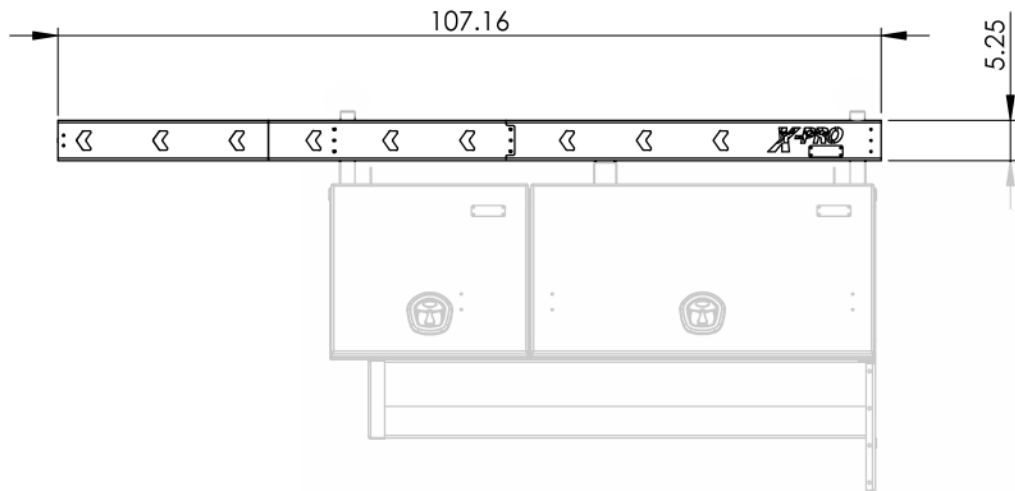
1

D

C

B

A



D
C
B
A

****HARDWARE INCLUDED****

Part No.: 3038	MATERIAL: 5052 (Alum)	THICKNESS: 0.125	FINISH: Smooth	DWG. NO.: 4107-18-00-A
	Approx. Weight: 32.5 lbs	ICONIC ELEMENTS <small>PROPRIETARY AND CONFIDENTIAL NO PART OF THIS DOCUMENT MAY BE REPRODUCED, STORED IN A RETRIEVAL SYSTEM, OR TRANSMITTED IN ANY FORM, WITHOUT THE WRITTEN PERMISSION OF Iconic Elements Inc.</small>		TITLE: Roof Rail - Short
	Surf. Area: 28.62 sq. ft.			REV: A
				SHEET: 1 OF 1

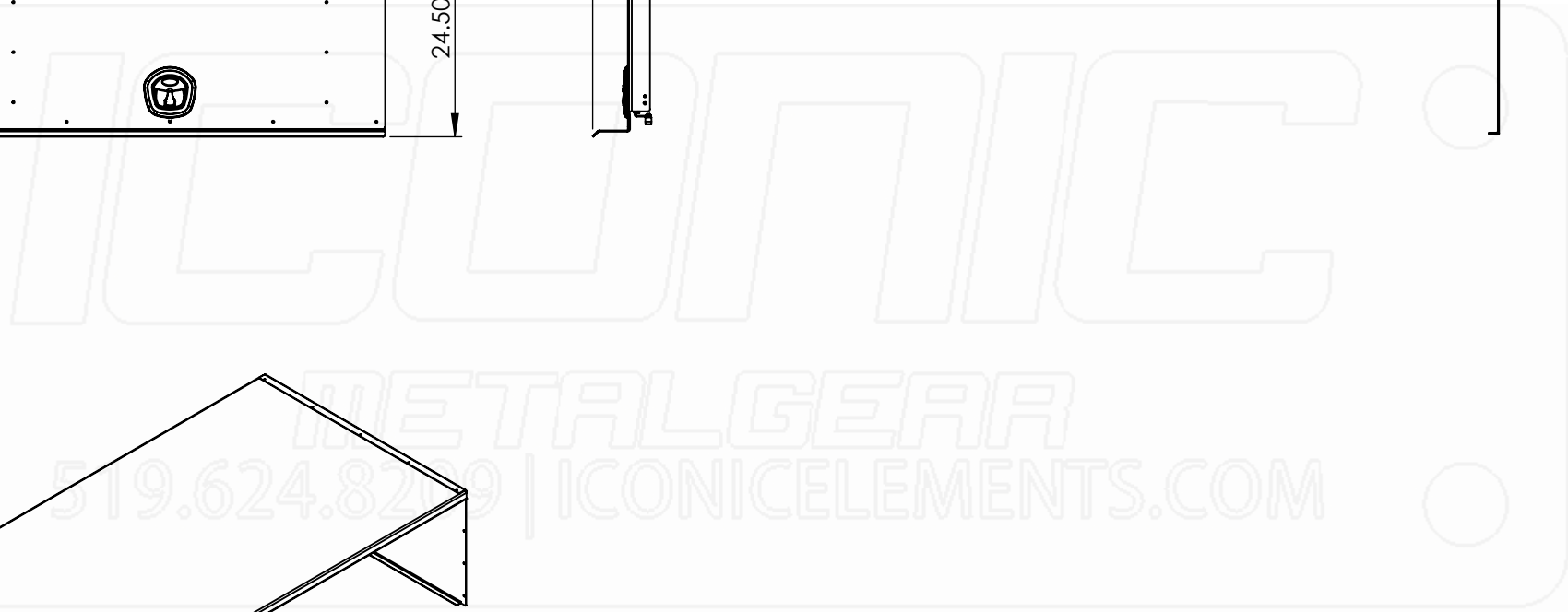
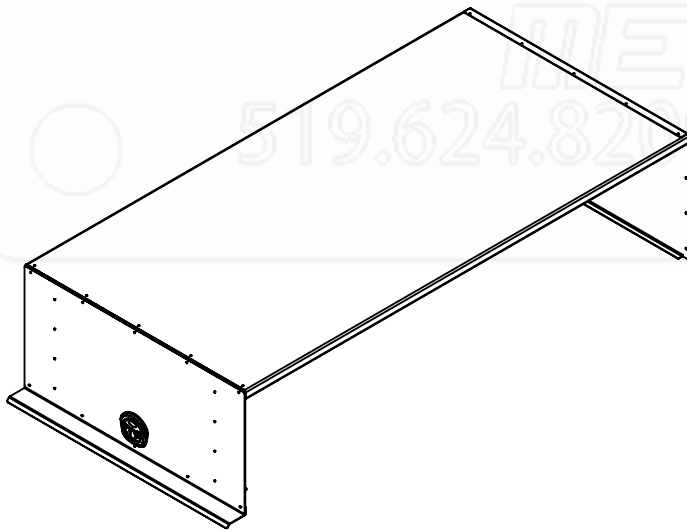
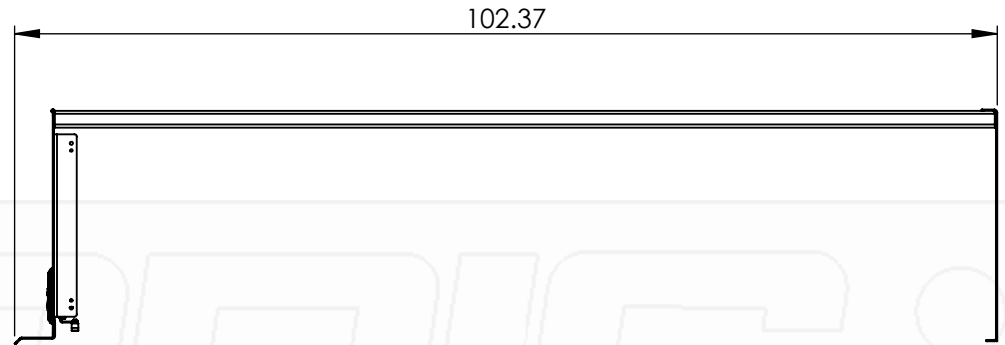
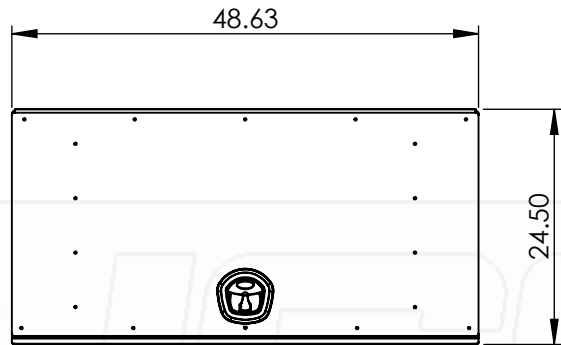
5

4

3

2

1



****HARDWARE INCLUDED****

Part No.:	MATERIAL: 5052 (Alum)	THICKNESS: 0.125	FINISH: Smooth	DWG. NO.: 4107-10-00-B
	3034	Approx. Weight: 107.56 lbs	ICONIC ELEMENTS (ICONIC METALGEAR) TITLE: Roof Assy - Long	
	Surf. Area: 119.41 sq. ft.	<small>PROPRIETARY AND CONFIDENTIAL NO PART OF THIS DOCUMENT MAY BE REPRODUCED, STORED IN A RETRIEVAL SYSTEM, OR TRANSMITTED IN ANY FORM, WITHOUT THE WRITTEN PERMISSION OF Iconic Elements Inc. (ICONIC METALGEAR)</small>		REV: B SHEET: 1 OF 1

5

4

3

2

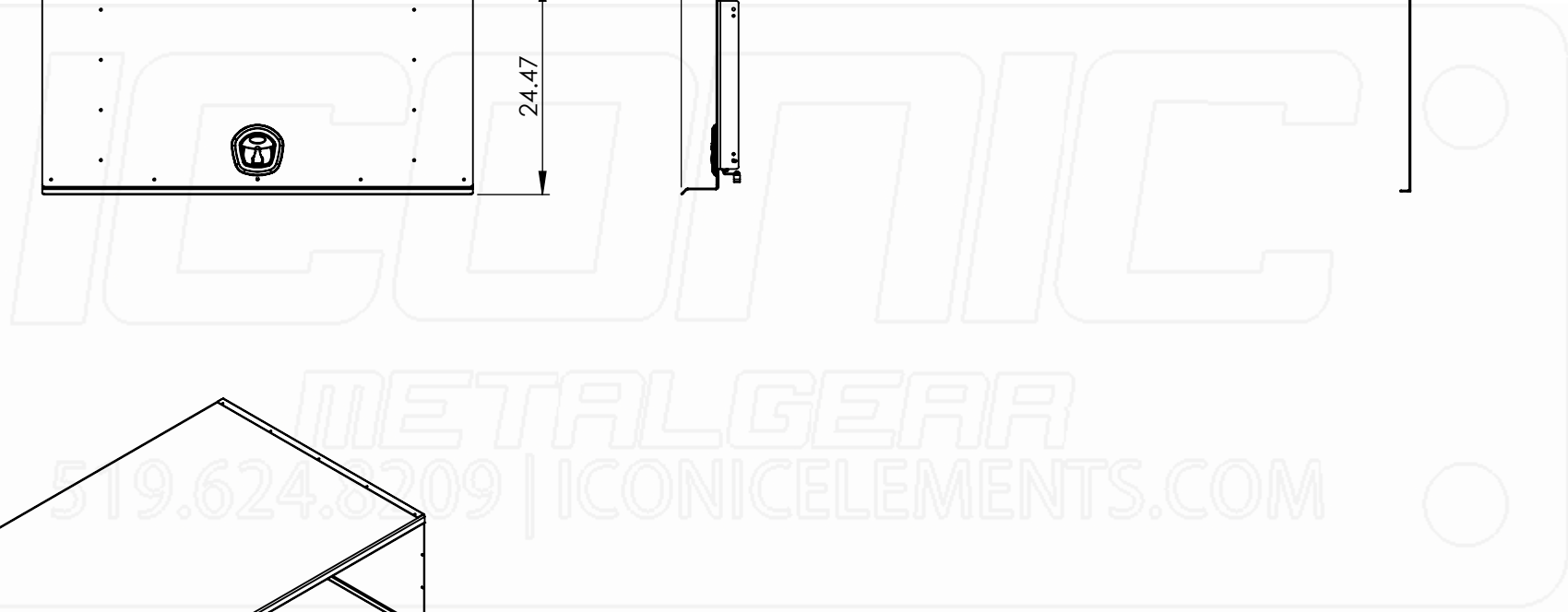
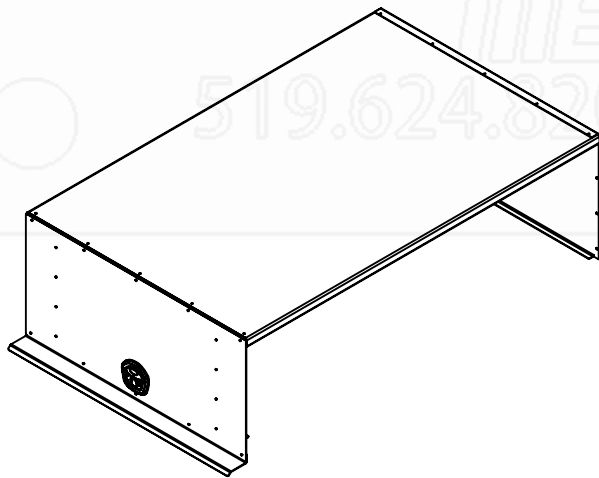
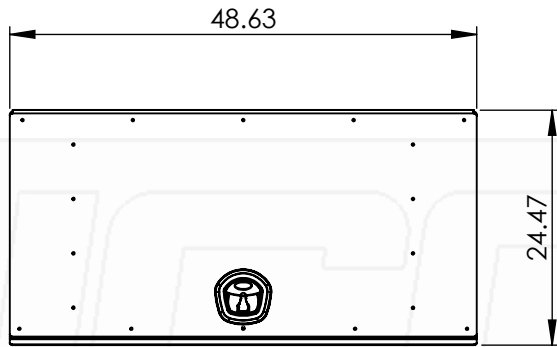
1

D

C

B

A



****HARDWARE INCLUDED****

Part No.: 3035	MATERIAL: 5052 (Alum)	THICKNESS: 0.125	FINISH: Smooth	DWG. NO.: 4107-11-00-B
	Approx. Weight: 94.50 lbs	ICONIC ELEMENTS (ICONIC METALGEAR) TITLE:		REV: SHEET:
Surf. Area: 104.39 sq. ft.	<small>PROPRIETARY AND CONFIDENTIAL NO PART OF THIS DOCUMENT MAY BE REPRODUCED, STORED IN A RETRIEVAL SYSTEM, OR TRANSMITTED IN ANY FORM, WITHOUT THE WRITTEN PERMISSION OF Iconic Elements Inc. (ICONIC METALGEAR)</small>		Roof Assy - Reg.	B 1 OF 1

5

4

3

2

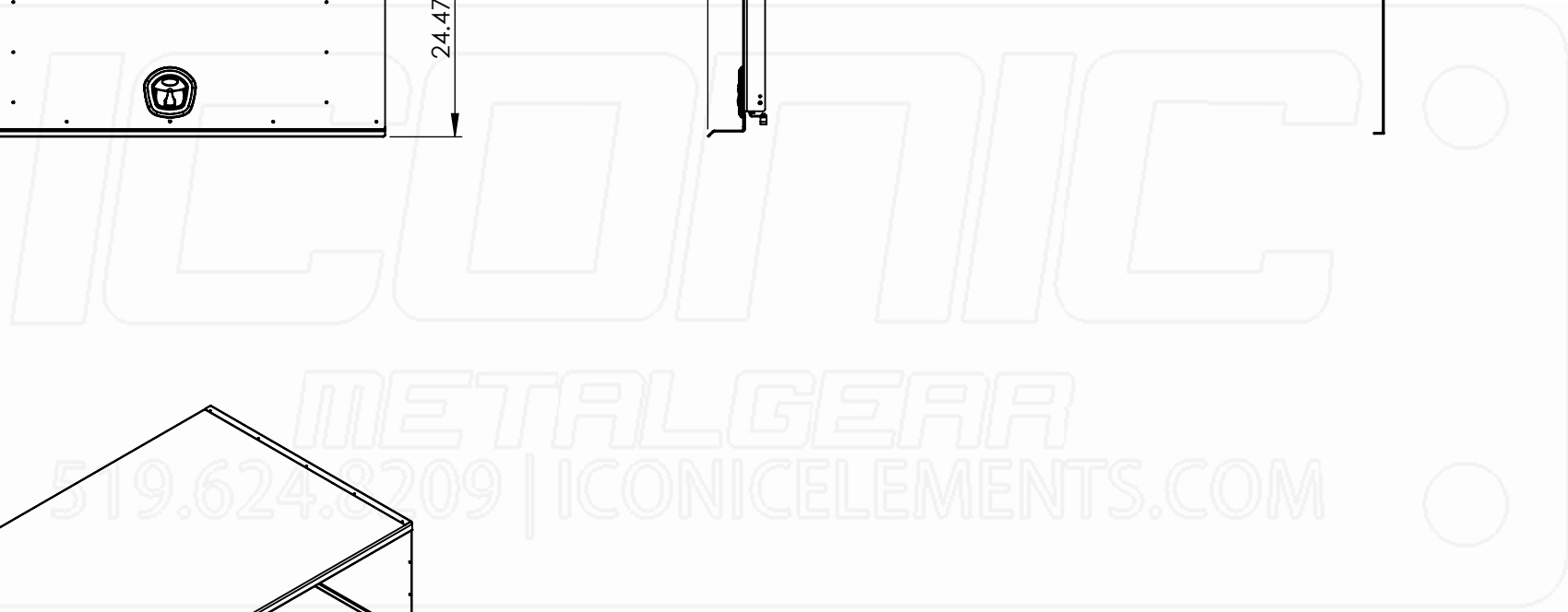
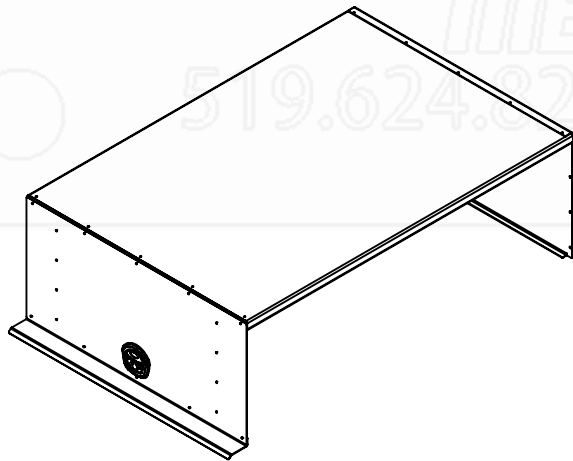
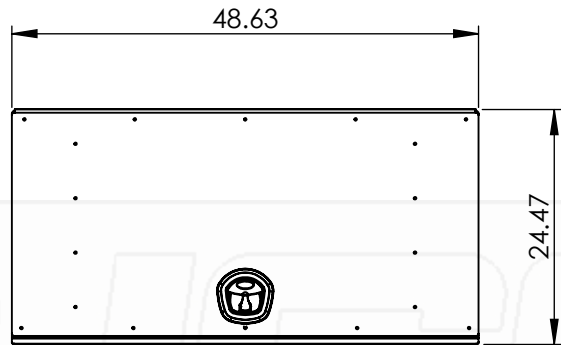
1

D

C

B

A



****HARDWARE INCLUDED****

Part No.: 3036	MATERIAL: 5052 (Alum)	THICKNESS: 0.125	FINISH: Smooth	DWG. NO.: 4107-12-00-B
	Approx. Weight: 90.59 lbs	ICONIC ELEMENTS (ICONIC METALGEAR) TITLE: Roof Assy - Short		REV: SHEET: B 1 OF 1
	Surf. Area: 99.88 sq. ft.	<small>PROPRIETARY AND CONFIDENTIAL NO PART OF THIS DOCUMENT MAY BE REPRODUCED, STORED IN A RETRIEVAL SYSTEM, OR TRANSMITTED IN ANY FORM, WITHOUT THE WRITTEN PERMISSION OF Iconic Elements Inc. (ICONIC METALGEAR)</small>		

5

4

3

2

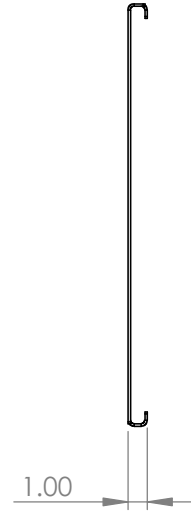
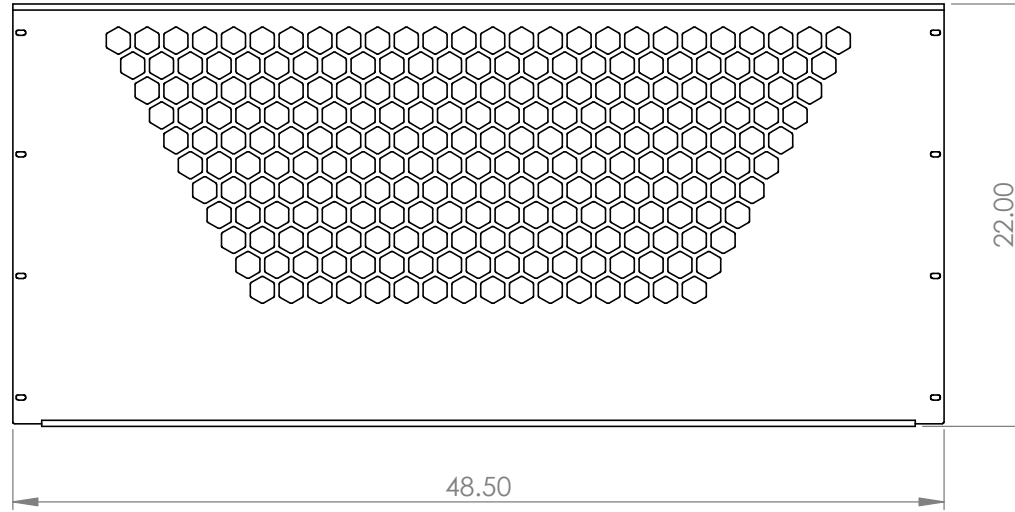
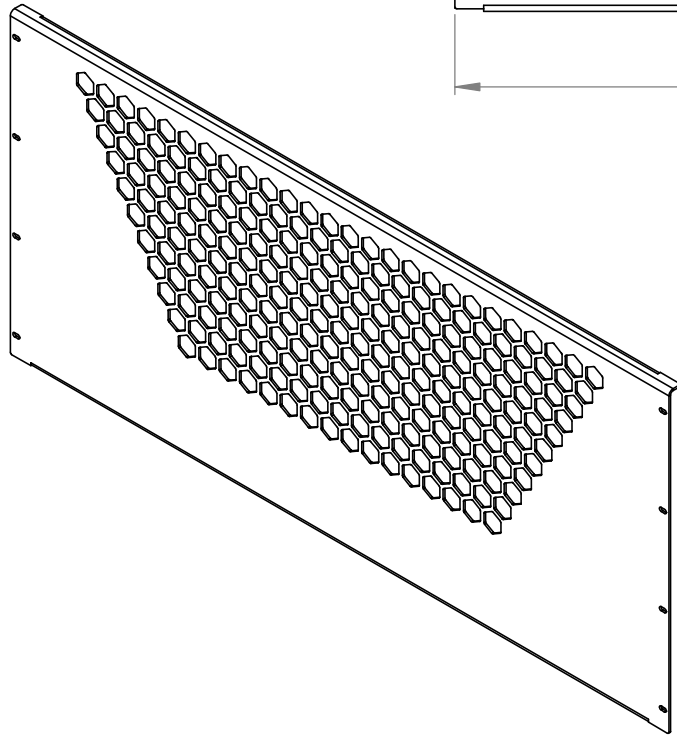
1

D

C

B

A



D
C
B
A

Part No.:	MATERIAL: 5052 (Alu)	THICKNESS: 0.125	FINISH: Smooth	DWG. NO.: 4107-03-01-A
3025	Approx. Weight: 10.56 lbs	ICONIC ELEMENTS		REV: SHEET:
	Surf. Area: 13.11 sq. ft.	<small>PROPRIETARY AND CONFIDENTIAL NO PART OF THIS DOCUMENT MAY BE REPRODUCED, STORED IN A RETRIEVAL SYSTEM, OR TRANSMITTED IN ANY FORM, WITHOUT THE WRITTEN PERMISSION OF Iconic Elements Inc.</small>		A 1 OF 1
			TITLE: Window Screen	

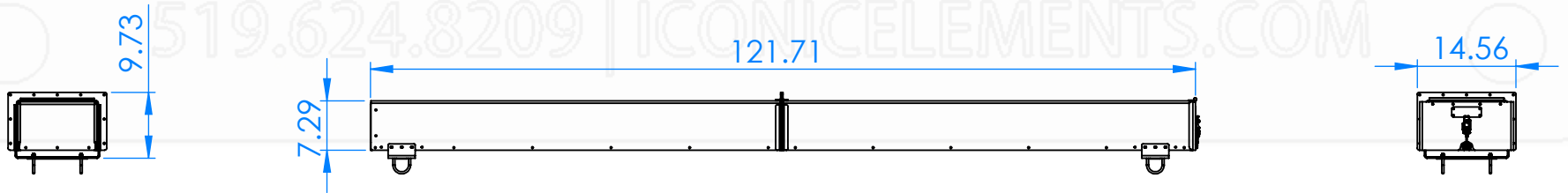
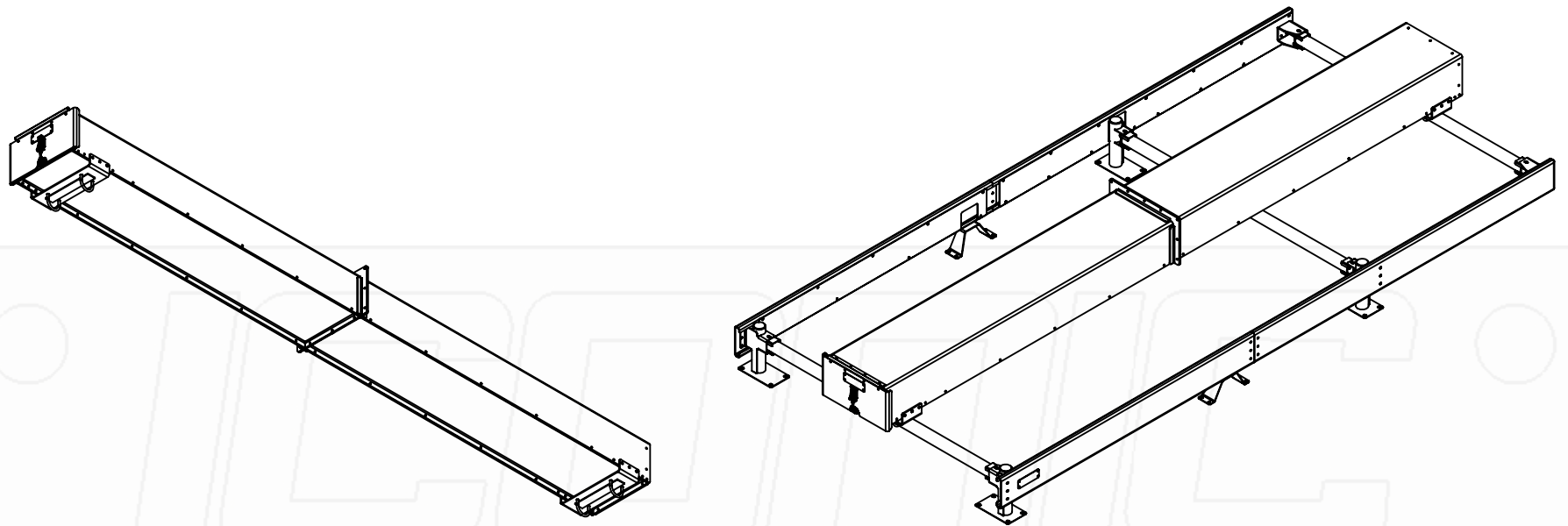
5

4

3

2

1



Part No.:

MATERIAL: 3003 (Alum)

THICKNESS: 0.125

FINISH: Checker

DWG. NO.: 6201-8-00-A

Approx. Weight: 158.28 lbs
Surf. Area: 75.54 sq. ft.

ICONIC ELEMENTS (ICONIC METALGEAR) TITLE:

PROPRIETARY AND CONFIDENTIAL
NO PART OF THIS DOCUMENT MAY BE REPRODUCED, STORED IN A RETRIEVAL SYSTEM, OR TRANSMITTED IN ANY FORM, WITHOUT THE WRITTEN PERMISSION OF Iconic Elements Inc. (ICONIC METALGEAR)

Conduit Box

REV: SHEET:

1 OF 1

5

4

3

2

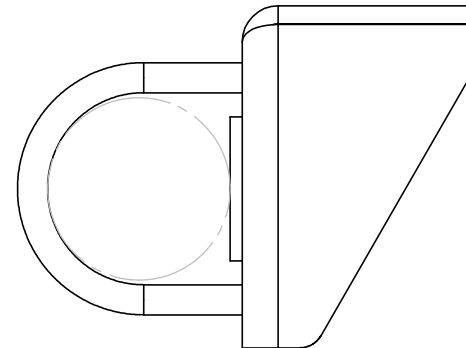
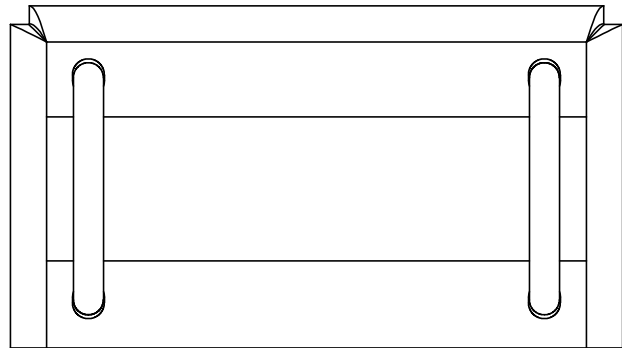
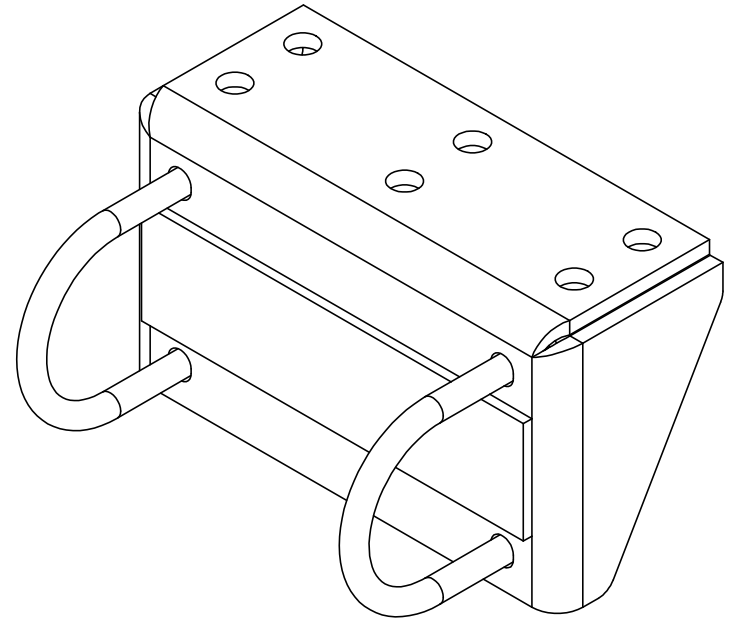
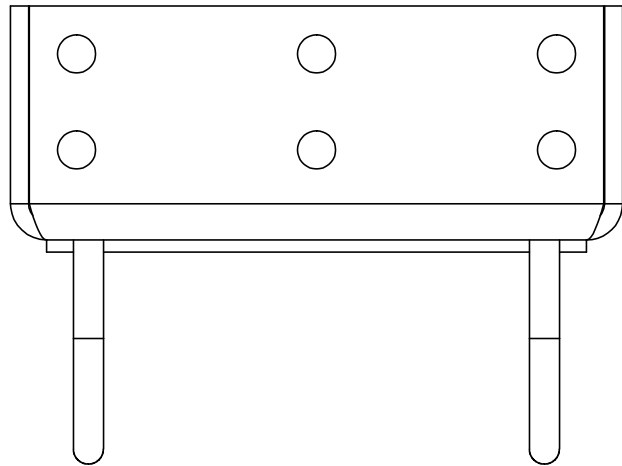
1

D

C

B

A



****HARDWARE INCLUDED****

Part No.:	MATERIAL: 5052 (Alum)	THICKNESS: 0.188	FINISH: Smooth	DWG. NO.: 4021-05-00-A
3014	Approx. Weight: 1.14 lbs	ICONIC ELEMENTS <small>PROPRIETARY AND CONFIDENTIAL</small> <small>NO PART OF THIS DOCUMENT MAY BE REPRODUCED, STORED IN A RETRIEVAL SYSTEM, OR TRANSMITTED IN ANY FORM, WITHOUT THE WRITTEN PERMISSION OF Iconic Elements Inc.</small>		REV:
	Surf. Area: 0.92 sq. ft.			TITLE: Crossbar Acc Mount

5

4

3

2

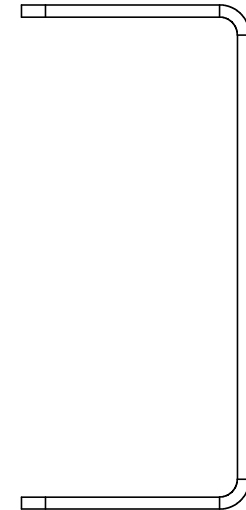
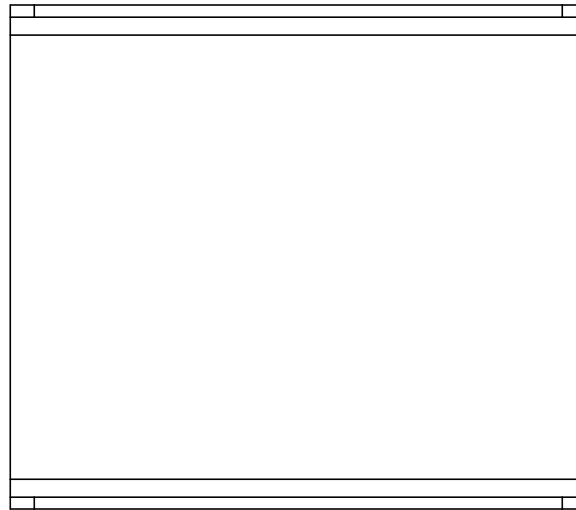
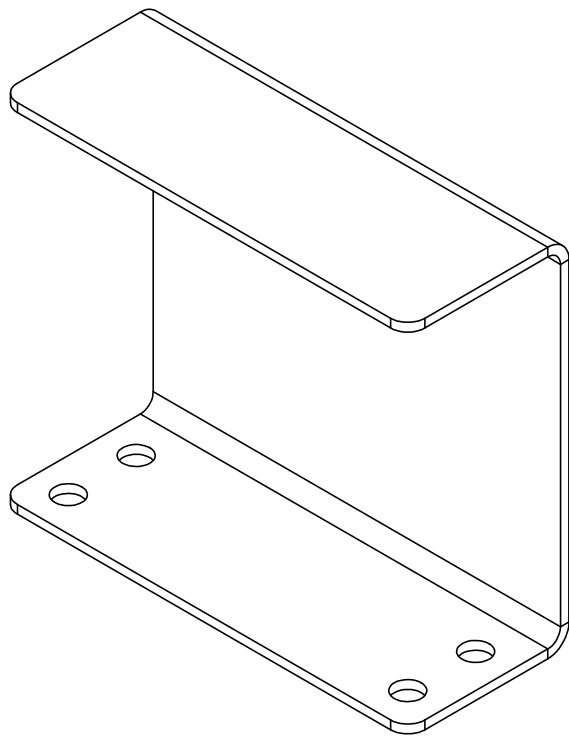
1

D

C

B

A



****HARDWARE INCLUDED****

Part No.: 3015	MATERIAL: 5052 (Alu) Approx. Weight: 0.69 lbs Surf. Area: 0.82 sq. ft.	THICKNESS: 0.125 ICONIC ELEMENTS <small>PROPRIETARY AND CONFIDENTIAL NO PART OF THIS DOCUMENT MAY BE REPRODUCED, STORED IN A RETRIEVAL SYSTEM, OR TRANSMITTED IN ANY FORM, WITHOUT THE WRITTEN PERMISSION OF Iconic Elements Inc.</small>	FINISH: Smooth TITLE: Ladder Stop	DWG. NO.: 4021-06-01-A REV: A SHEET: 1 OF 1
--------------------------	--	---	---	---

5

4

3

2

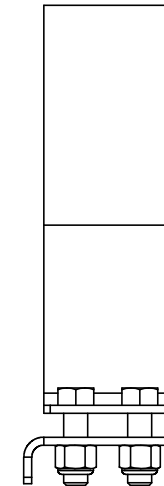
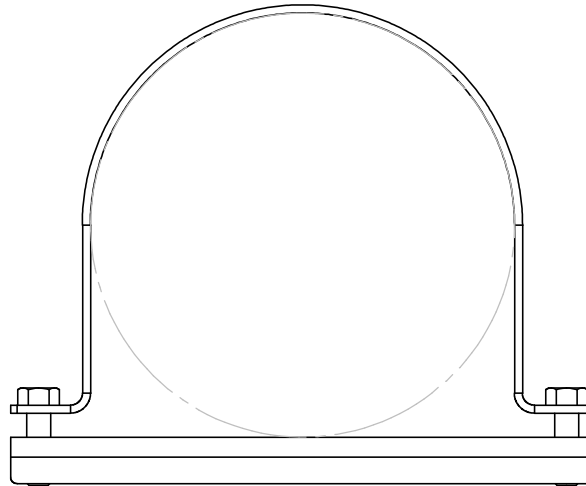
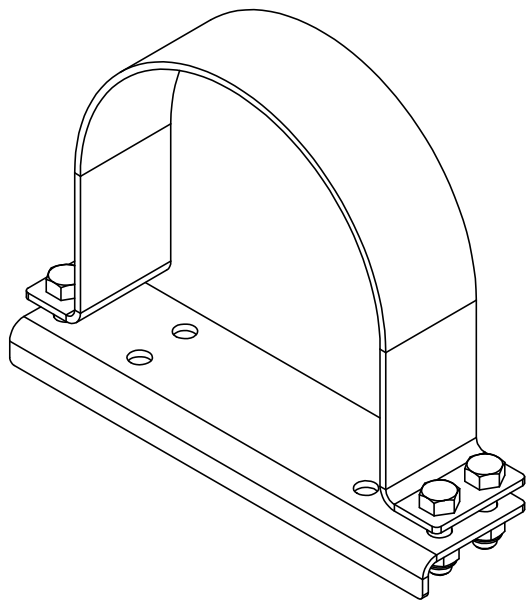
1

D

C

B

A



****MUST BE ORDERED WITH P/N: 3014 TO MOUNT****

****HARDWARE INCLUDED****

Part No.: 3016	MATERIAL: 5052 (Alum) Approx. Weight: 0.78 lbs Surf. Area: 1.03 sq. ft.	THICKNESS: 0.125 ICONIC ELEMENTS <small>PROPRIETARY AND CONFIDENTIAL NO PART OF THIS DOCUMENT MAY BE REPRODUCED, STORED IN A RETRIEVAL SYSTEM, OR TRANSMITTED IN ANY FORM, WITHOUT THE WRITTEN PERMISSION OF Iconic Elements Inc.</small>	FINISH: Smooth TITLE: Pipe Clamp	DWG. NO.: 4107-09-00-A REV: A SHEET: 1 OF 1
--------------------------	---	---	--	---

5

4

3

2

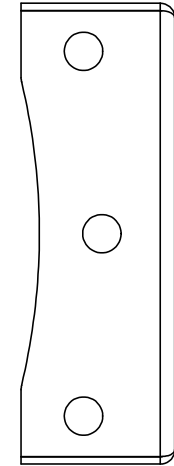
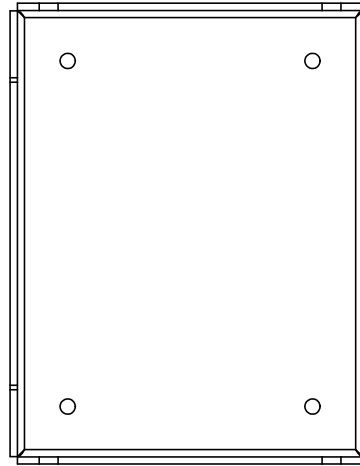
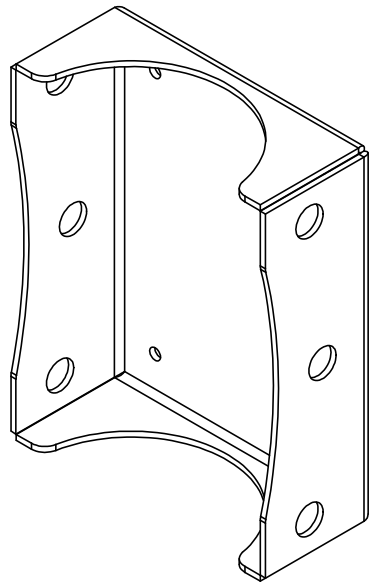
1

D

C

B

A



****HARDWARE INCLUDED****

Part No.: 3031	MATERIAL: 5052 (Alu) Approx. Weight: 3.97 lbs Surf. Area: 3.18 sq. ft.	THICKNESS: 0.188 ICONIC ELEMENTS <small>PROPRIETARY AND CONFIDENTIAL NO PART OF THIS DOCUMENT MAY BE REPRODUCED, STORED IN A RETRIEVAL SYSTEM, OR TRANSMITTED IN ANY FORM, WITHOUT THE WRITTEN PERMISSION OF Iconic Elements Inc.</small>	FINISH: Smooth TITLE: Tank Bracket	DWG. NO.: 4107-04-01-A REV: A SHEET: 1 OF 1
--------------------------	--	---	--	---

5

4

3

2

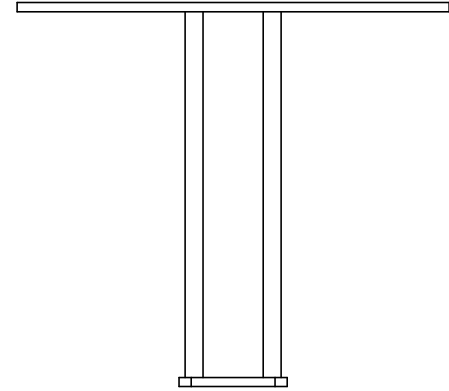
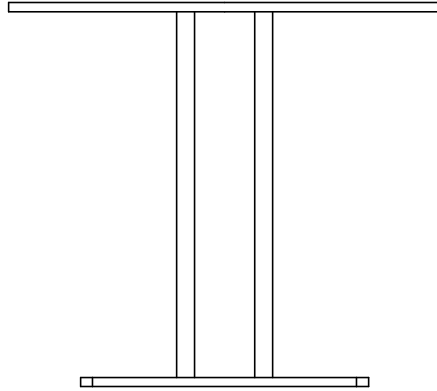
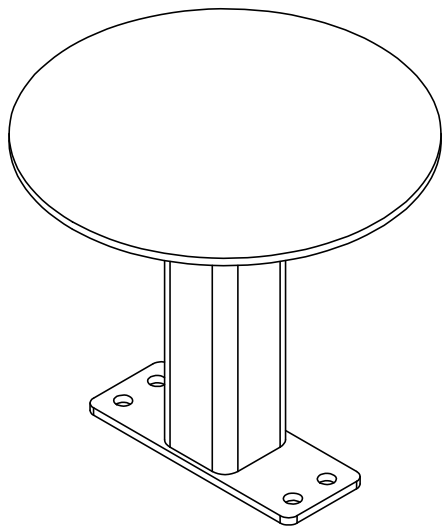
1

D

C

B

A



****HARDWARE INCLUDED****

Part No.: 3032	MATERIAL: 5052 (Alum) Approx. Weight: 2.04 lbs Surf. Area: 1.88 sq. ft.	THICKNESS: 0.188 ICONIC ELEMENTS <small>PROPRIETARY AND CONFIDENTIAL NO PART OF THIS DOCUMENT MAY BE REPRODUCED, STORED IN A RETRIEVAL SYSTEM, OR TRANSMITTED IN ANY FORM, WITHOUT THE WRITTEN PERMISSION OF Iconic Elements Inc.</small>	FINISH: Smooth TITLE: 8" Round Emerg. Light	DWG. NO.: 4107-08-00-A REV: A SHEET: 1 OF 1
--------------------------	---	---	---	---

5

4

3

2

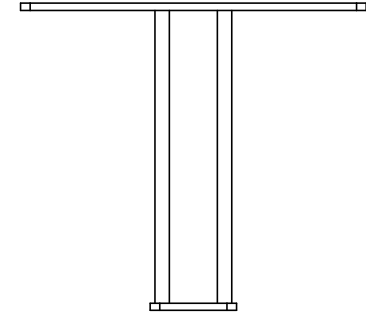
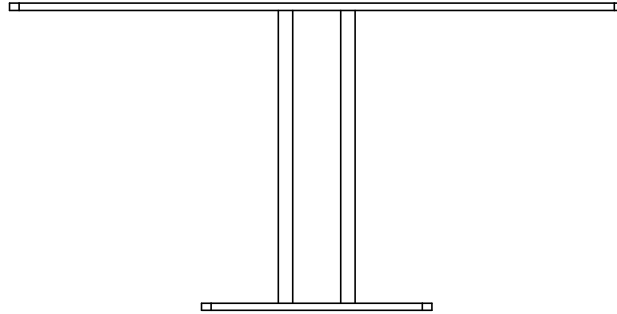
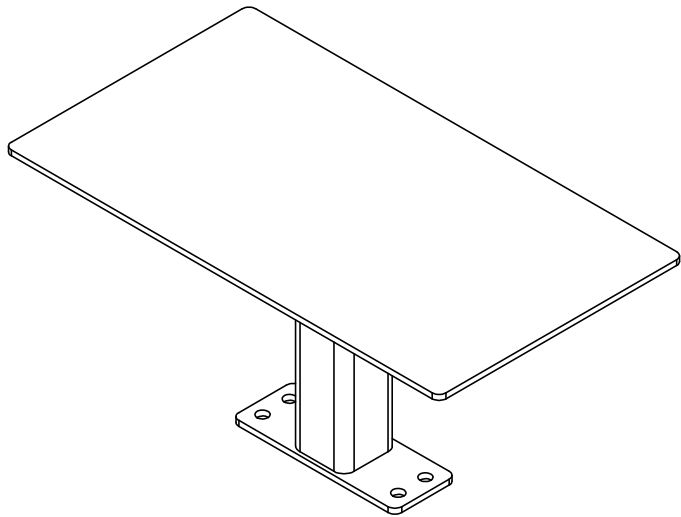
1

D

C

B

A



****HARDWARE INCLUDED****

Part No.: 3033	MATERIAL: 5052 (Alum) Approx. Weight: 3.50 lbs Surf. Area: 3.02 sq. ft.	THICKNESS: 0.188 ICONIC ELEMENTS <small>PROPRIETARY AND CONFIDENTIAL NO PART OF THIS DOCUMENT MAY BE REPRODUCED, STORED IN A RETRIEVAL SYSTEM, OR TRANSMITTED IN ANY FORM, WITHOUT THE WRITTEN PERMISSION OF Iconic Elements Inc.</small>	FINISH: Smooth TITLE: 9" x 16" Rec. Emerg. Light	DWG. NO.: 4107-07-00-A REV: A	SHEET: 1 OF 1
--------------------------	---	---	--	----------------------------------	---------------

5

4

3

2

1

D

C

B

A