



**X-HIGH**  
**HIGH SIDE TRUCK PACK**

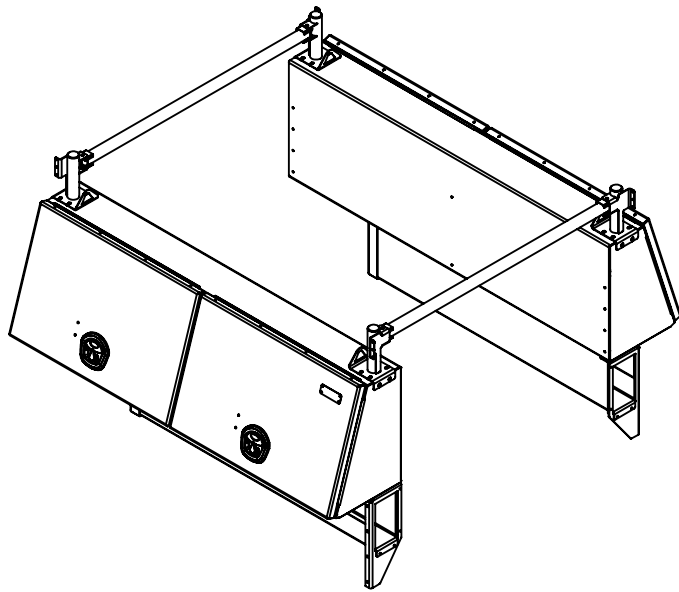




4-DOOR

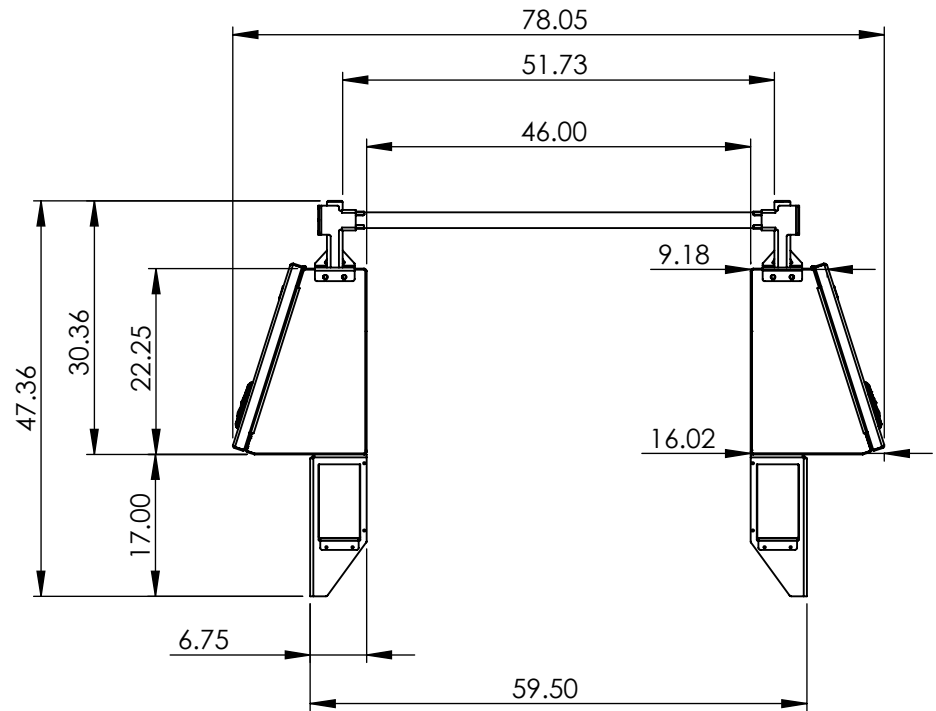
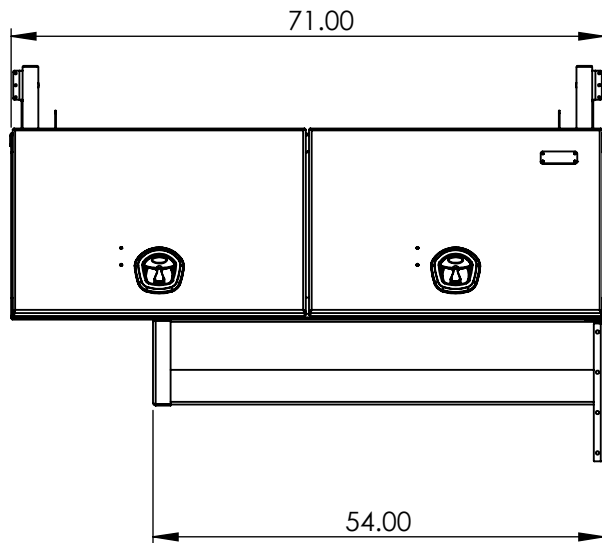
# X-HIGH HIGH SIDE TRUCK PACK





**STANDARD PACK INCLUDES:**

- (1) x LEFT SIDE BOX w/ ADJUSTABLE SHELVES
- (1) x RIGHT SIDE BOX w/ ADJUSTABLE SHELVES
- (2) x REMOVABLE CROSS TUBES (STAINLESS)
- (4) x LADDER RACK RECEIVER POSTS (STAINLESS)
- (2) x UNDER MOUNT BED TRAYS
- (2) x BACK CORNER MOUNT GUSSETS
- (1) x HARDWARE KIT & INSTALLATION GUIDE



Part No.:

**3023**

MATERIAL: 5052 (Alum)

THICKNESS: 0.125

FINISH: Smooth

DWG. NO.: 4111-1-00-1

Approx. Weight: 173.83 lbs

**ICONIC ELEMENTS**

TITLE:

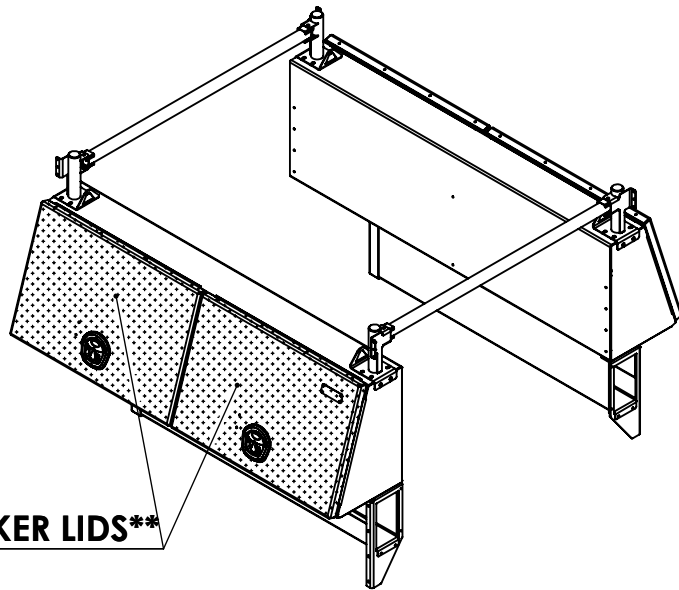
REV: SHEET:

Surf. Area: 288.24 sq. ft.

PROPRIETARY AND CONFIDENTIAL  
NO PART OF THIS DOCUMENT MAY BE REPRODUCED, STORED IN A RETRIEVAL SYSTEM, OR TRANSMITTED IN ANY FORM, WITHOUT THE WRITTEN PERMISSION OF Iconic Elements Inc.

High Side Truck Pack (Short)

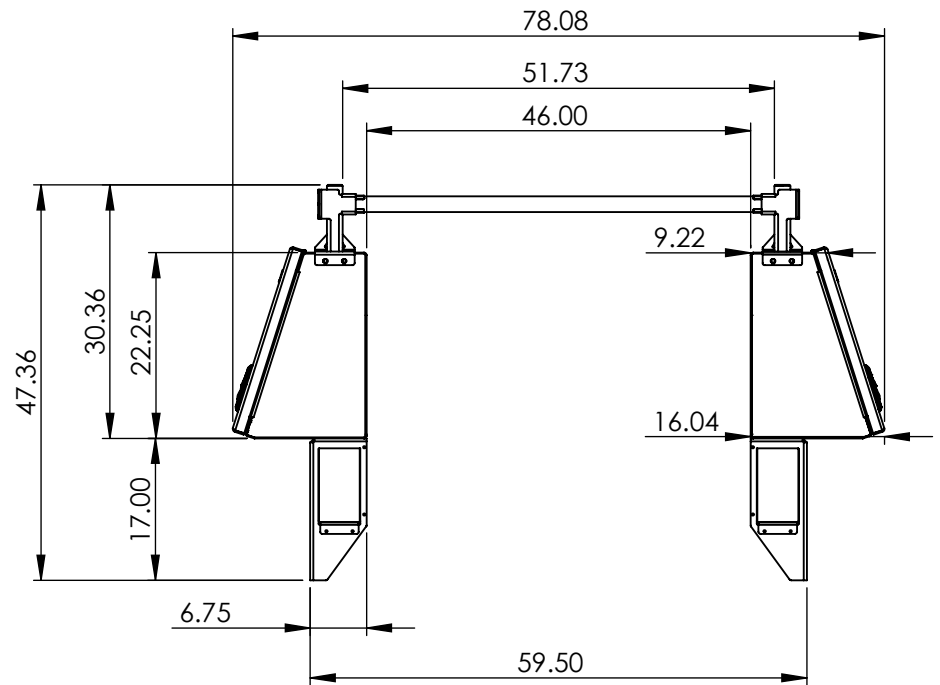
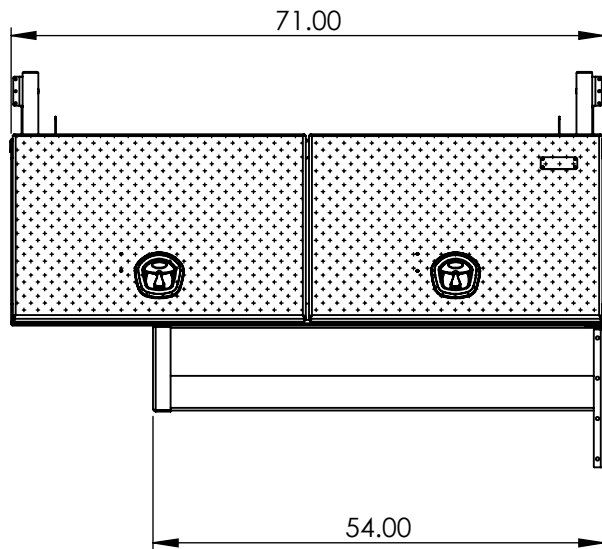
I 1 OF 1



**\*\*CHECKER LIDS\*\***

**STANDARD PACK INCLUDES:**

- (1) x LEFT SIDE BOX w/ ADJUSTABLE SHELVES
- (1) x RIGHT SIDE BOX w/ ADJUSTABLE SHELVES
- (2) x REMOVABLE CROSS TUBES (STAINLESS)
- (4) x LADDER RACK RECEIVER POSTS (STAINLESS)
- (2) x UNDER MOUNT BED TRAYS
- (2) x BACK CORNER MOUNT GUSSETS
- (1) x HARDWARE KIT & INSTALLATION GUIDE



Part No.:

**3024**

MATERIAL: 5052 (Alum)

Approx. Weight: 184.33 lbs

Surf. Area: 288.32 sq. ft.

THICKNESS: 0.125

**ICONIC ELEMENTS**

PROPRIETARY AND CONFIDENTIAL  
NO PART OF THIS DOCUMENT MAY BE REPRODUCED, STORED IN A RETRIEVAL SYSTEM, OR TRANSMITTED IN ANY FORM, WITHOUT THE WRITTEN PERMISSION OF Iconic Elements Inc.

FINISH: Smooth

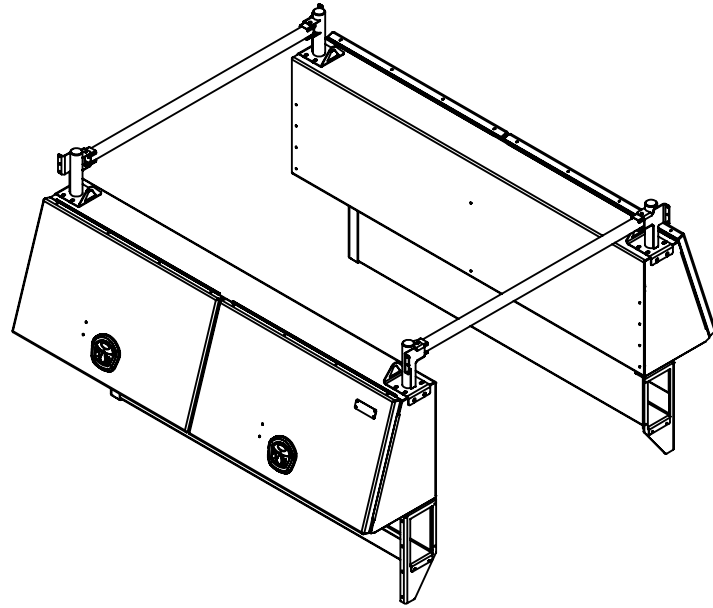
TITLE:

High Side Truck Pack (Short)

DWG. NO.: 4111-2-00-I

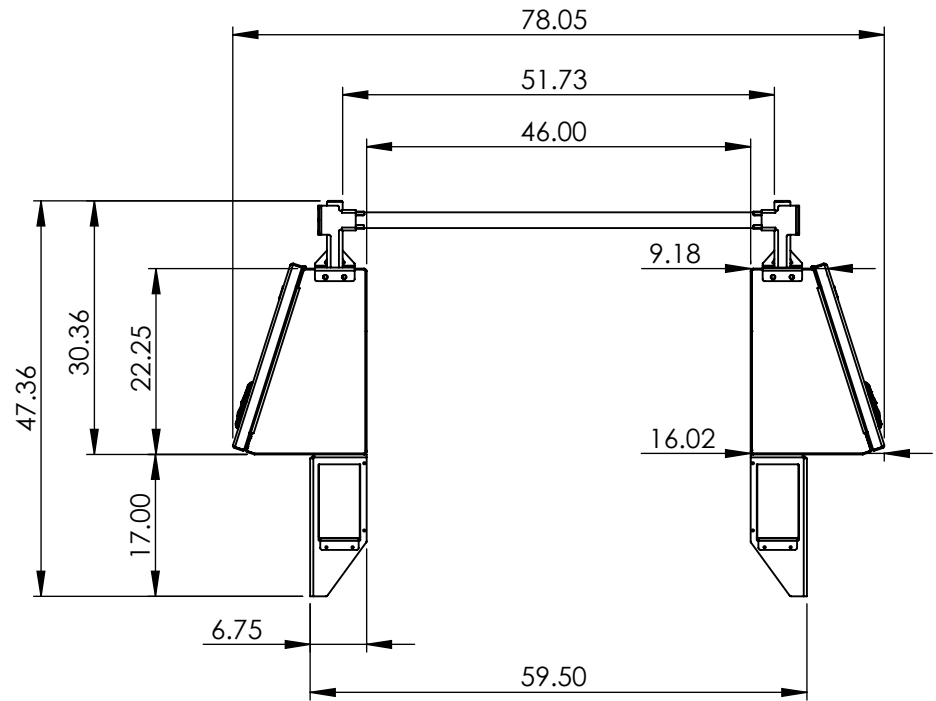
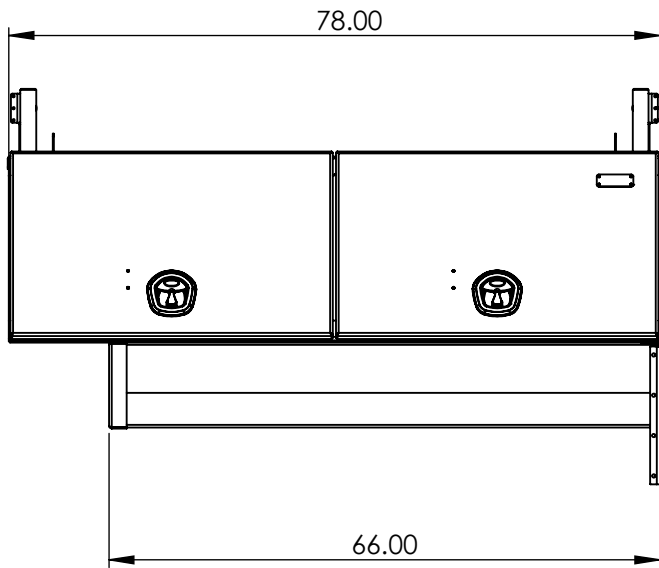
REV: SHEET:

I 1 OF 1



**STANDARD PACK INCLUDES:**

- (1) x LEFT SIDE BOX w/ ADJUSTABLE SHELVES
- (1) x RIGHT SIDE BOX w/ ADJUSTABLE SHELVES
- (2) x REMOVABLE CROSS TUBES (STAINLESS)
- (4) x LADDER RACK RECEIVER POSTS (STAINLESS)
- (2) x UNDER MOUNT BED TRAYS
- (2) x BACK CORNER MOUNT GUSSETS
- (1) x HARDWARE KIT & INSTALLATION GUIDE



Part No.:

**3009**

MATERIAL: 5052 (Alum)

Approx. Weight: 187.55 lbs

Surf. Area: 313.31 sq. ft.

THICKNESS: 0.125

**ICONIC ELEMENTS**

PROPRIETARY AND CONFIDENTIAL  
NO PART OF THIS DOCUMENT MAY BE REPRODUCED, STORED IN A RETRIEVAL SYSTEM, OR TRANSMITTED IN ANY FORM, WITHOUT THE WRITTEN PERMISSION OF Iconic Elements Inc.

FINISH: Smooth

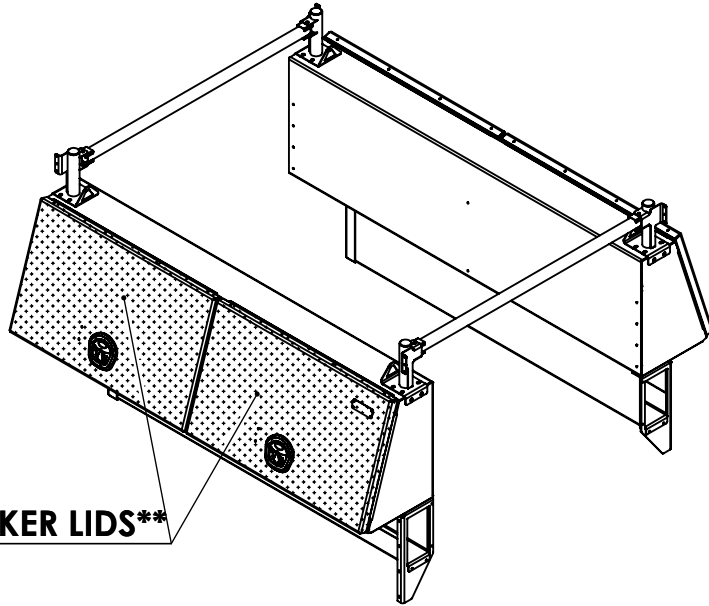
TITLE:

High Side Truck Pack (Reg.)

DWG. NO.: 4113-1-00-I

REV: SHEET:

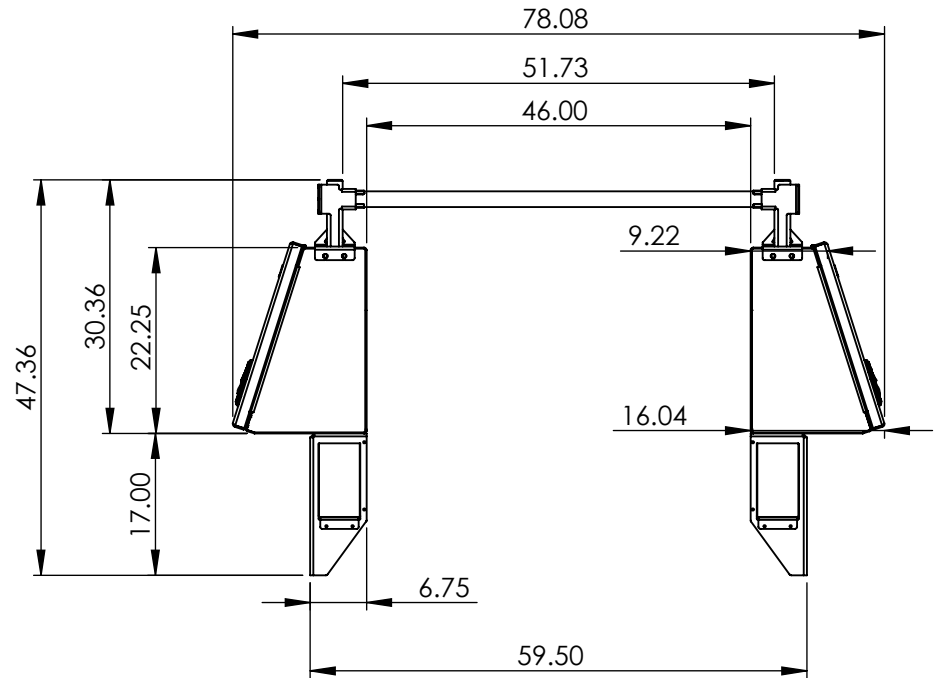
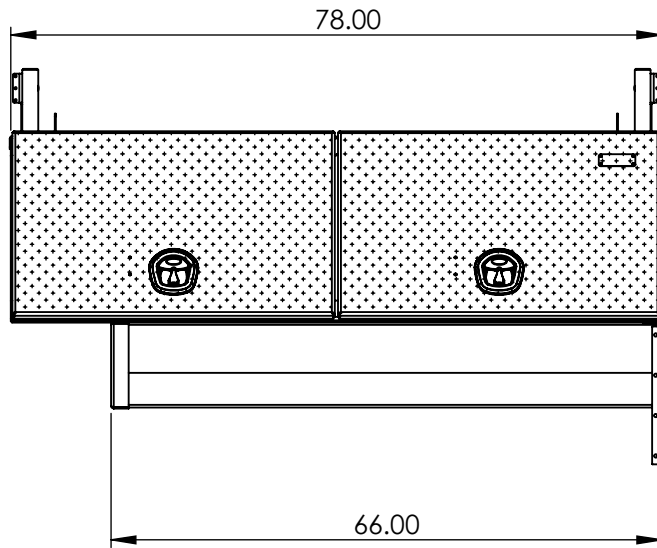
I 1 OF 1



**\*\*CHECKER LIDS\*\***

**STANDARD PACK INCLUDES:**

- (1) x LEFT SIDE BOX w/ ADJUSTABLE SHELVES
- (1) x RIGHT SIDE BOX w/ ADJUSTABLE SHELVES
- (2) x REMOVABLE CROSS TUBES (STAINLESS)
- (4) x LADDER RACK RECEIVER POSTS (STAINLESS)
- (2) x UNDER MOUNT BED TRAYS
- (2) x BACK CORNER MOUNT GUSSETS
- (1) x HARDWARE KIT & INSTALLATION GUIDE



Part No.:

**3017**

MATERIAL: 5052 (Alum)

Approx. Weight: 199.27 lbs

Surf. Area: 314.38 sq. ft.

THICKNESS: 0.125

**ICONIC ELEMENTS**

PROPRIETARY AND CONFIDENTIAL  
NO PART OF THIS DOCUMENT MAY BE REPRODUCED, STORED IN A RETRIEVAL SYSTEM, OR TRANSMITTED IN ANY FORM, WITHOUT THE WRITTEN PERMISSION OF Iconic Elements Inc.

FINISH: Smooth

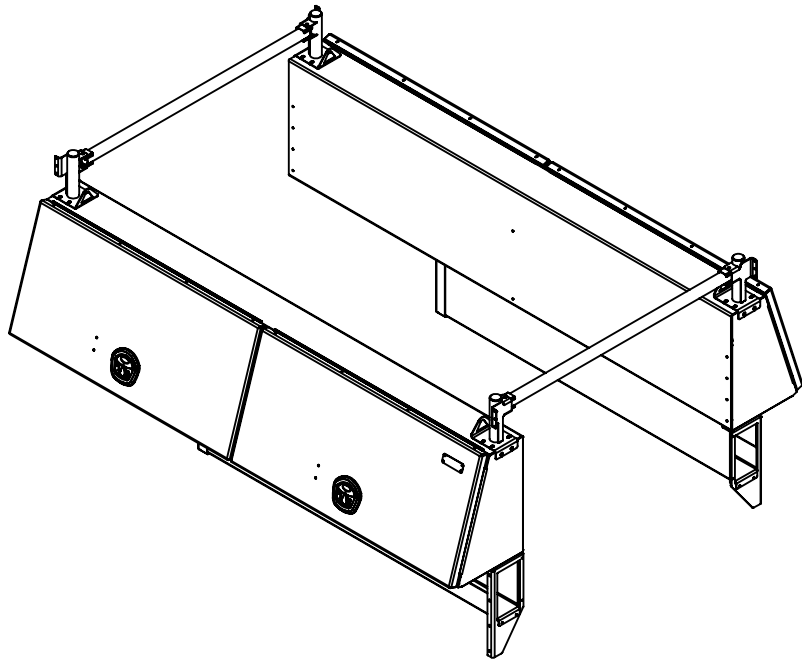
TITLE:

High Side Truck Pack (Reg.)

DWG. NO.: 4113-2-00-I

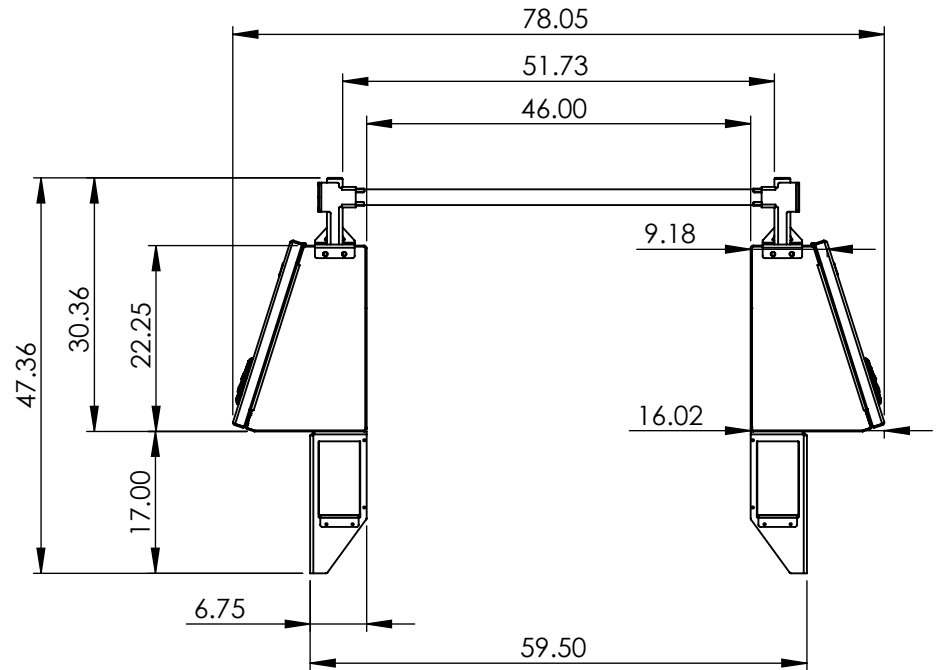
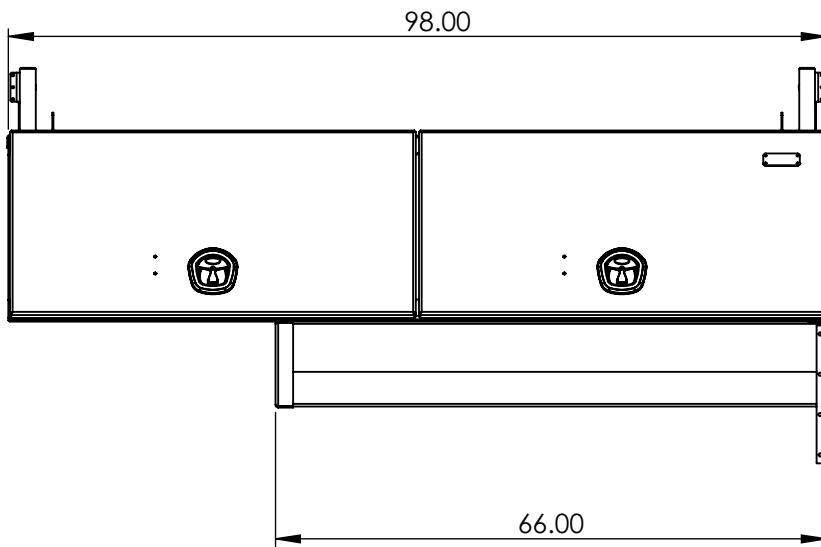
REV: SHEET:

I 1 OF 1



**STANDARD PACK INCLUDES:**

- (1) x LEFT SIDE BOX w/ ADJUSTABLE SHELVES
- (1) x RIGHT SIDE BOX w/ ADJUSTABLE SHELVES
- (2) x REMOVABLE CROSS TUBES (STAINLESS)
- (4) x LADDER RACK RECEIVER POSTS (STAINLESS)
- (2) x UNDER MOUNT BED TRAYS
- (2) x BACK CORNER MOUNT GUSSETS
- (1) x HARDWARE KIT & INSTALLATION GUIDE



Part No.:

**3028**

MATERIAL: 5052 (Alum)

THICKNESS: 0.125

FINISH: Smooth

DWG. NO.: 4115-1-00-I

Approx. Weight: 213.47 lbs

ICONIC ELEMENTS

TITLE:

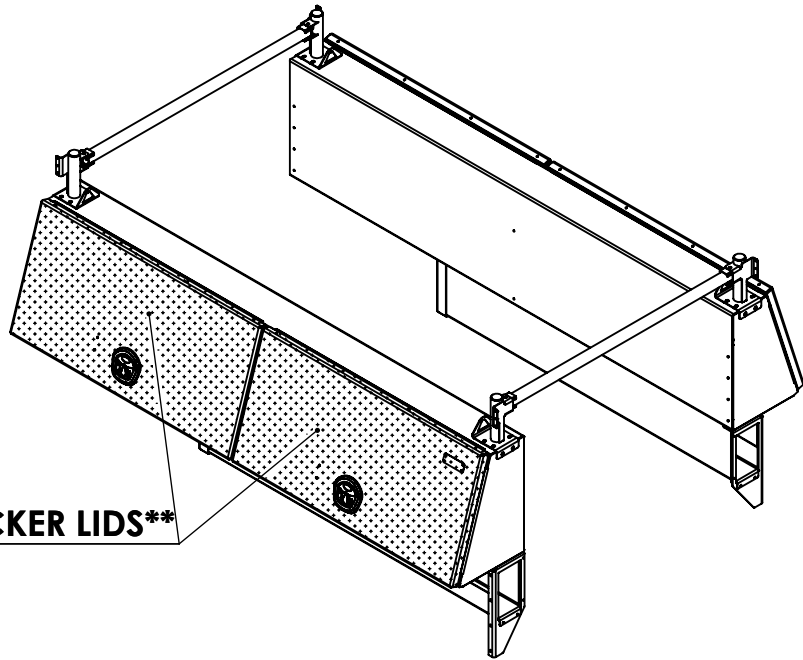
REV: SHEET:

Surf. Area: 367.52 sq. ft.

PROPRIETARY AND CONFIDENTIAL  
NO PART OF THIS DOCUMENT MAY BE REPRODUCED, STORED IN A RETRIEVAL SYSTEM, OR TRANSMITTED IN ANY FORM, WITHOUT THE WRITTEN PERMISSION OF Iconic Elements Inc.

High Side Truck Pack (Long)

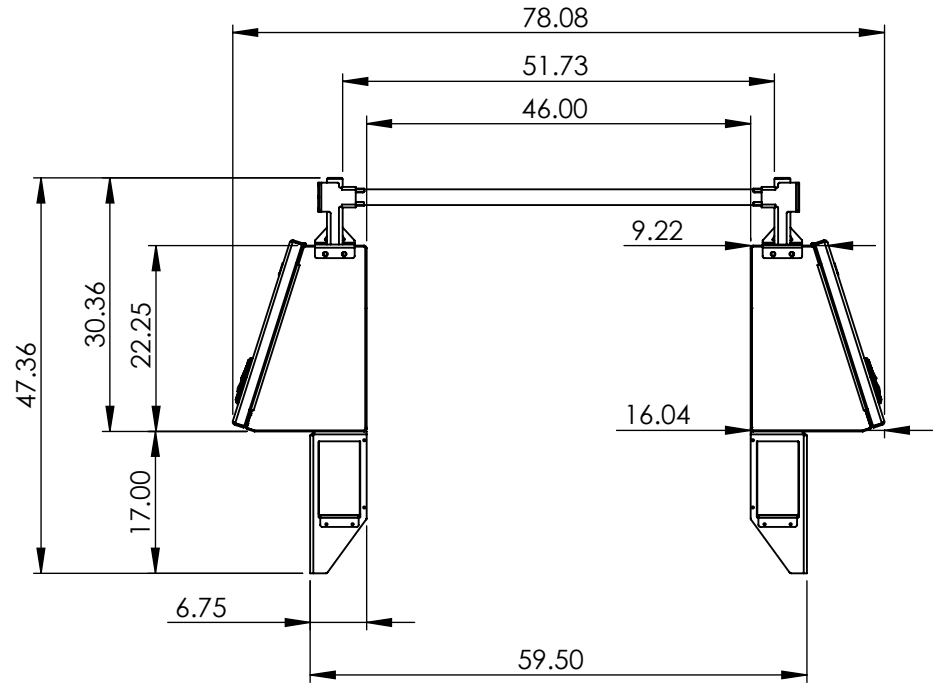
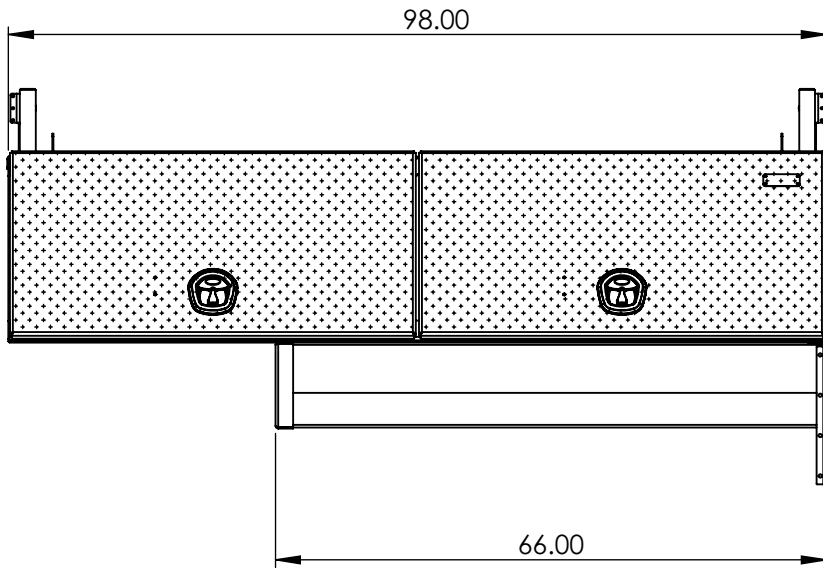
I 1 OF 1



**\*\*CHECKER LIDS\*\***

**STANDARD PACK INCLUDES:**

- (1) x LEFT SIDE BOX w/ ADJUSTABLE SHELVES
- (1) x RIGHT SIDE BOX w/ ADJUSTABLE SHELVES
- (2) x REMOVABLE CROSS TUBES (STAINLESS)
- (4) x LADDER RACK RECEIVER POSTS (STAINLESS)
- (2) x UNDER MOUNT BED TRAYS
- (2) x BACK CORNER MOUNT GUSSETS
- (1) x HARDWARE KIT & INSTALLATION GUIDE



Part No.:

**3018**

MATERIAL: 5052 (Alum)

Approx. Weight: 227.82 lbs

Surf. Area: 367.61 sq. ft.

THICKNESS: 0.125

**ICONIC ELEMENTS**

PROPRIETARY AND CONFIDENTIAL  
NO PART OF THIS DOCUMENT MAY BE REPRODUCED, STORED IN A RETRIEVAL SYSTEM, OR TRANSMITTED IN ANY FORM, WITHOUT THE WRITTEN PERMISSION OF Iconic Elements Inc.

FINISH: Smooth

TITLE:

High Side Truck Pack (Long)

DWG. NO.: 4115-2-00-I

REV: SHEET:

I 1 OF 1

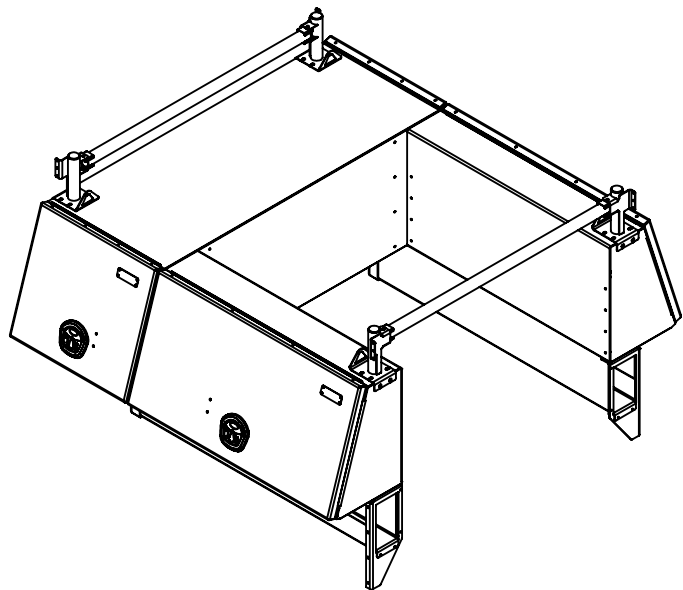




4-DOOR CROSS BOX

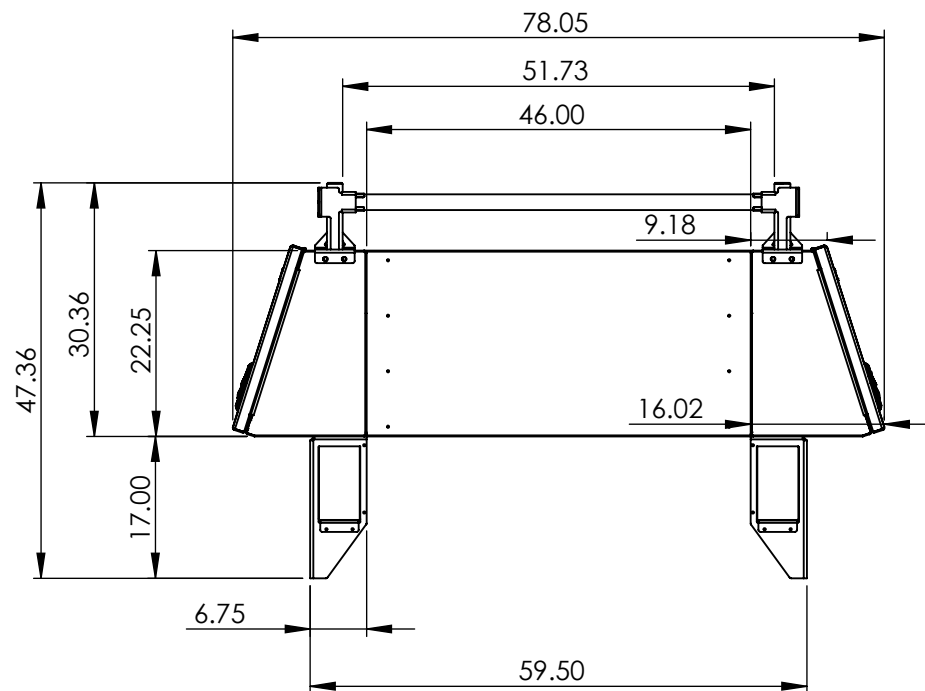
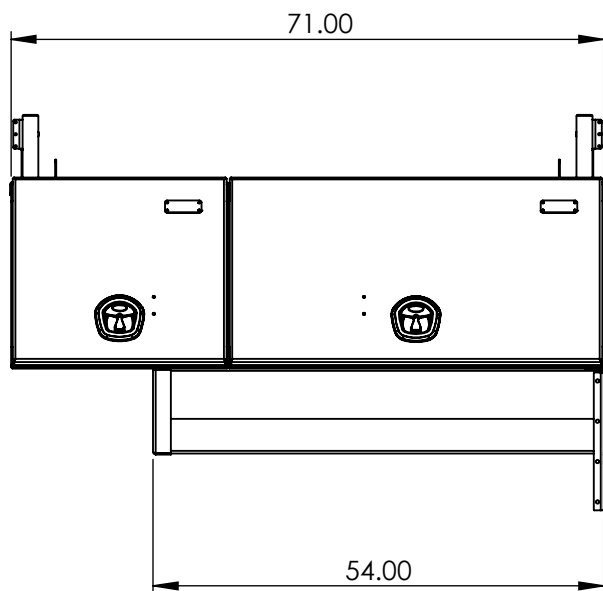
**X-HIGH**  
**HIGH SIDE TRUCK PACK**





**STANDARD PACK INCLUDES:**

- (1) x LEFT SIDE BOX w/ ADJUSTABLE SHELF
- (1) x RIGHT SIDE BOX w/ ADJUSTABLE SHELF
- (1) x CROSS BOX w/ ADJUSTABLE SHELF
- (2) x REMOVABLE CROSS TUBES (STAINLESS)
- (4) x LADDER RACK RECEIVER POSTS (STAINLESS)
- (2) x UNDER MOUNT BED TRAYS
- (2) x BACK CORNER MOUNT GUSSETS
- (1) x HARDWARE KIT & INSTALLATION GUIDE



Part No.:

**3021**

MATERIAL: 5052 (Alum)

THICKNESS: 0.125

FINISH: Smooth

DWG. NO.: 4112-1-00-I

Approx. Weight: 262.95 lbs

**ICONIC ELEMENTS**

TITLE:

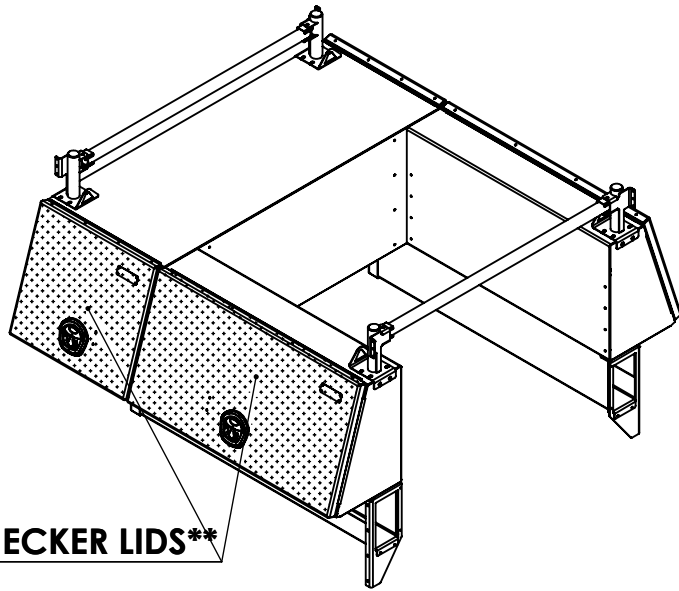
REV: SHEET:

Surf. Area: 351.42 sq. ft.

PROPRIETARY AND CONFIDENTIAL  
NO PART OF THIS DOCUMENT MAY BE REPRODUCED, STORED IN A RETRIEVAL SYSTEM, OR TRANSMITTED IN ANY FORM, WITHOUT THE WRITTEN PERMISSION OF Iconic Elements Inc.

High Side Truck Pack (Short)

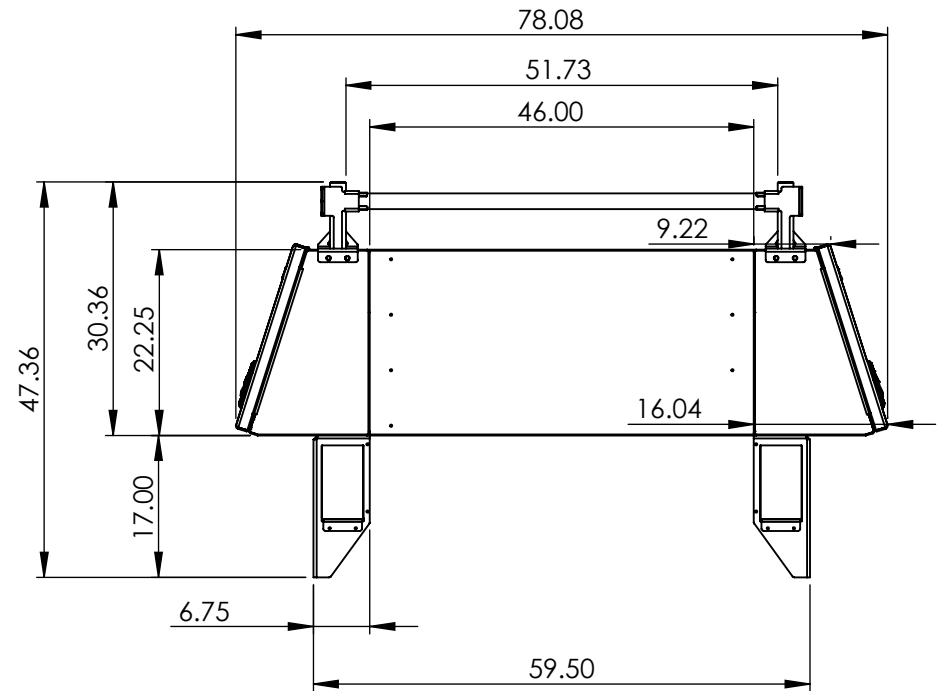
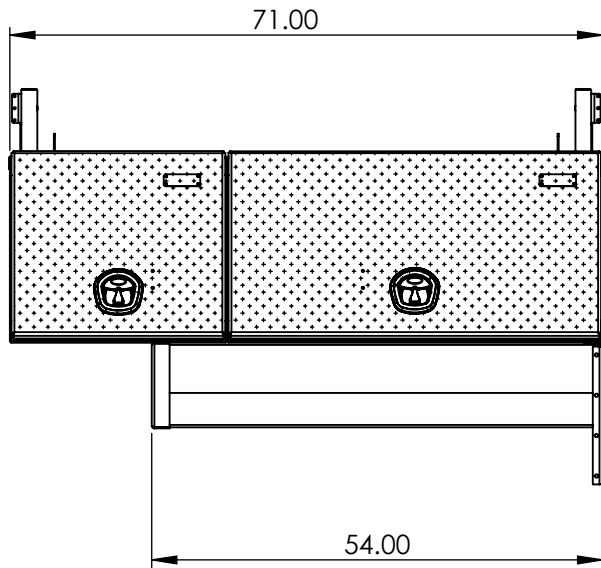
I 1 OF 1



**STANDARD PACK INCLUDES:**

- (1) x LEFT SIDE BOX w/ ADJUSTABLE SHELF
- (1) x RIGHT SIDE BOX w/ ADJUSTABLE SHELF
- (1) x CROSS BOX w/ ADJUSTABLE SHELF
- (2) x REMOVABLE CROSS TUBES (STAINLESS)
- (4) x LADDER RACK RECEIVER POSTS (STAINLESS)
- (2) x UNDER MOUNT BED TRAYS
- (2) x BACK CORNER MOUNT GUSSETS
- (1) x HARDWARE KIT & INSTALLATION GUIDE

**\*\*CHECKER LIDS\*\***



Part No.:

**3022**

MATERIAL: 5052 (Alum)

Approx. Weight: 270.45 lbs

Surf. Area: 353.04 sq. ft.

THICKNESS: 0.125

**ICONIC ELEMENTS**

PROPRIETARY AND CONFIDENTIAL  
NO PART OF THIS DOCUMENT MAY BE REPRODUCED, STORED IN A RETRIEVAL SYSTEM, OR TRANSMITTED IN ANY FORM, WITHOUT THE WRITTEN PERMISSION OF Iconic Elements Inc.

FINISH: Smooth

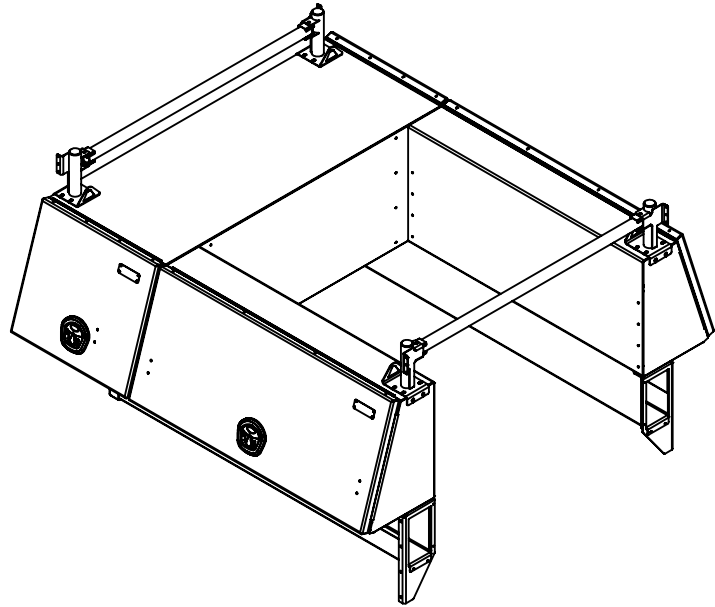
TITLE:

High Side Truck Pack (Short)

DWG. NO.: 4112-2-00-I

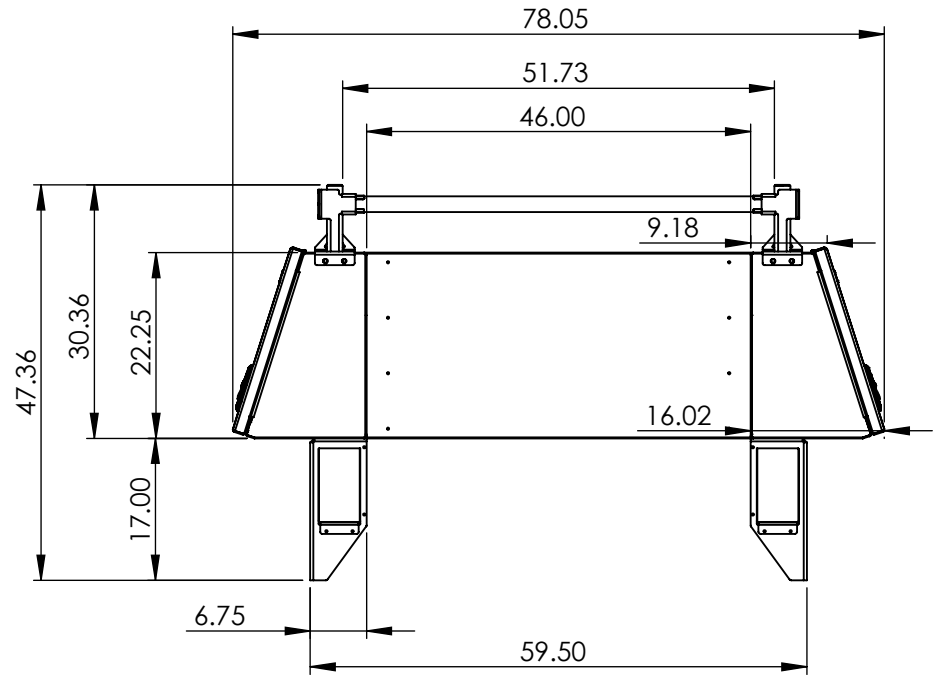
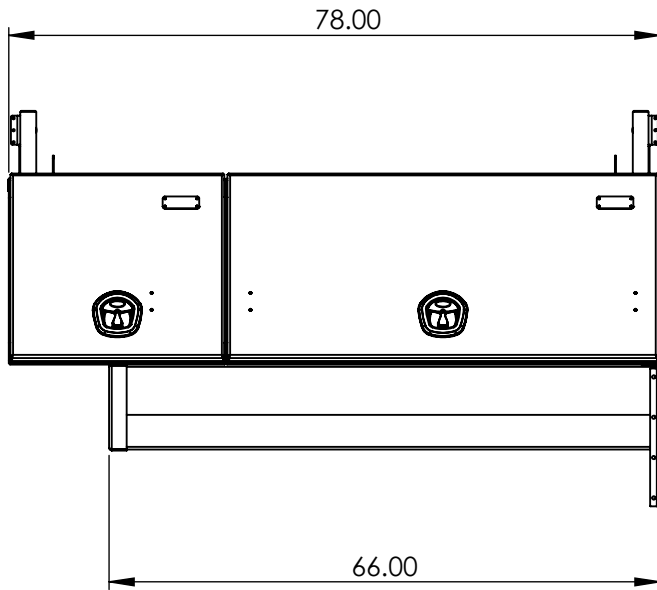
REV: SHEET:

I 1 OF 1



**STANDARD PACK INCLUDES:**

- (1) x LEFT SIDE BOX w/ ADJUSTABLE SHELVES
- (1) x RIGHT SIDE BOX w/ ADJUSTABLE SHELVES
- (1) x CROSS BOX w/ ADJUSTABLE SHELF
- (2) x REMOVABLE CROSS TUBES (STAINLESS)
- (4) x LADDER RACK RECEIVER POSTS (STAINLESS)
- (2) x UNDER MOUNT BED TRAYS
- (2) x BACK CORNER MOUNT GUSSETS
- (1) x HARDWARE KIT & INSTALLATION GUIDE



Part No.:

**3027**

MATERIAL: 5052 (Alum)

Approx. Weight: 277.43 lbs

Surf. Area: 377.94 sq. ft.

THICKNESS: 0.125

**ICONIC ELEMENTS**

PROPRIETARY AND CONFIDENTIAL  
NO PART OF THIS DOCUMENT MAY BE REPRODUCED, STORED IN A RETRIEVAL SYSTEM, OR TRANSMITTED IN ANY FORM, WITHOUT THE WRITTEN PERMISSION OF Iconic Elements Inc.

FINISH: Smooth

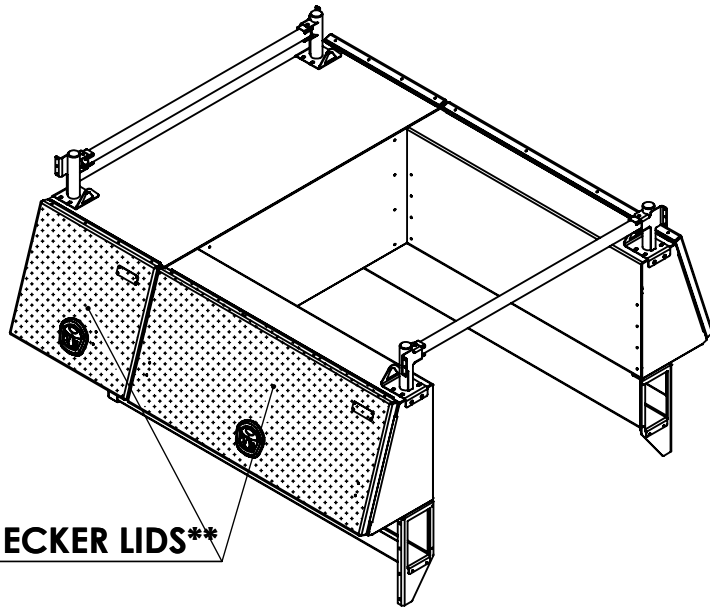
TITLE:

High Side Truck Pack (Reg.)

DWG. NO.: 4114-1-00-I

REV: SHEET:

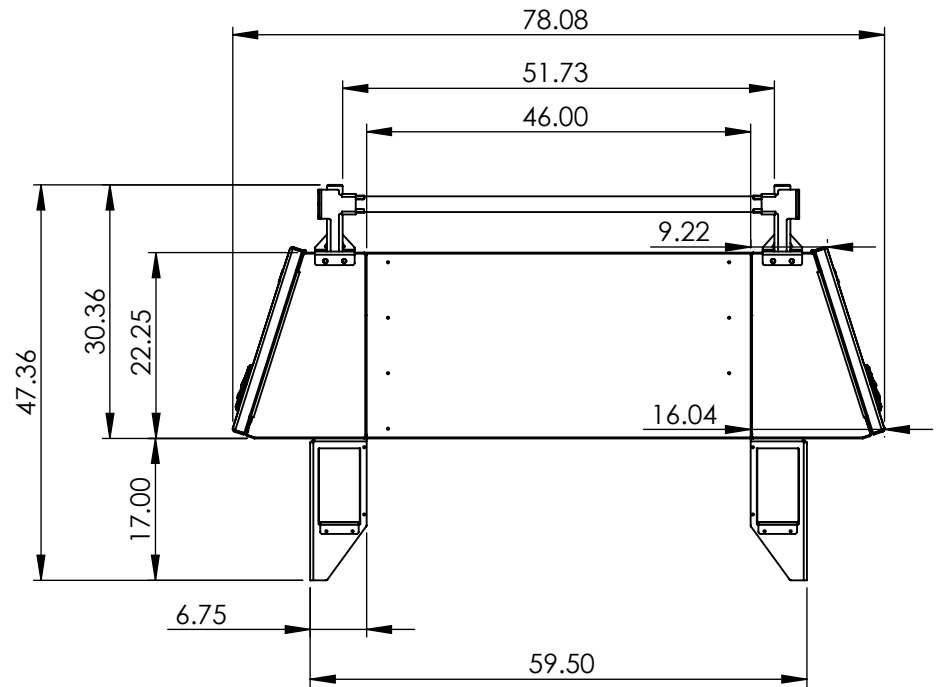
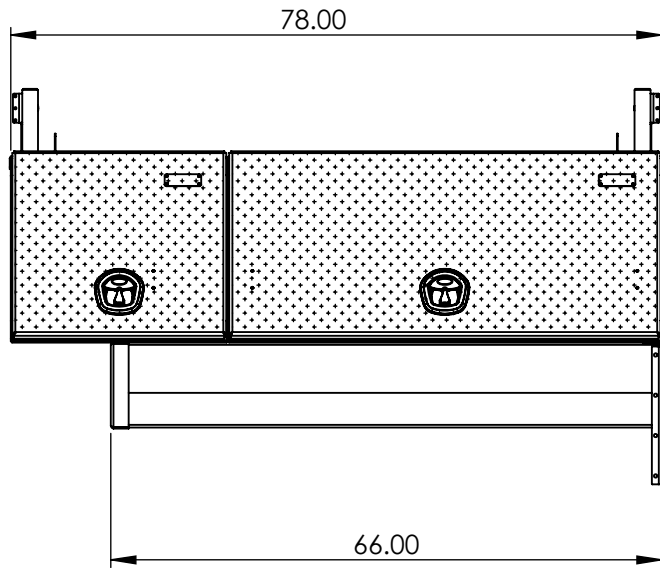
I 1 OF 1



**\*\*CHECKER LIDS\*\***

**STANDARD PACK INCLUDES:**

- (1) x LEFT SIDE BOX w/ ADJUSTABLE SHELF
- (1) x RIGHT SIDE BOX w/ ADJUSTABLE SHELF
- (1) x CROSS BOX w/ ADJUSTABLE SHELF
- (2) x REMOVABLE CROSS TUBES (STAINLESS)
- (4) x LADDER RACK RECEIVER POSTS (STAINLESS)
- (2) x UNDER MOUNT BED TRAYS
- (2) x BACK CORNER MOUNT GUSSETS
- (1) x HARDWARE KIT & INSTALLATION GUIDE



Part No.:

**3026**

MATERIAL: 5052 (Alum)

Approx. Weight: 285.81 lbs

Surf. Area: 379.06 sq. ft.

THICKNESS: 0.125

**ICONIC ELEMENTS**

PROPRIETARY AND CONFIDENTIAL  
NO PART OF THIS DOCUMENT MAY BE REPRODUCED, STORED IN A RETRIEVAL SYSTEM, OR TRANSMITTED IN ANY FORM, WITHOUT THE WRITTEN PERMISSION OF Iconic Elements Inc.

FINISH: Smooth

TITLE:

High Side Truck Pack (Reg.)

DWG. NO.: 4114-2-00-I

REV: SHEET:

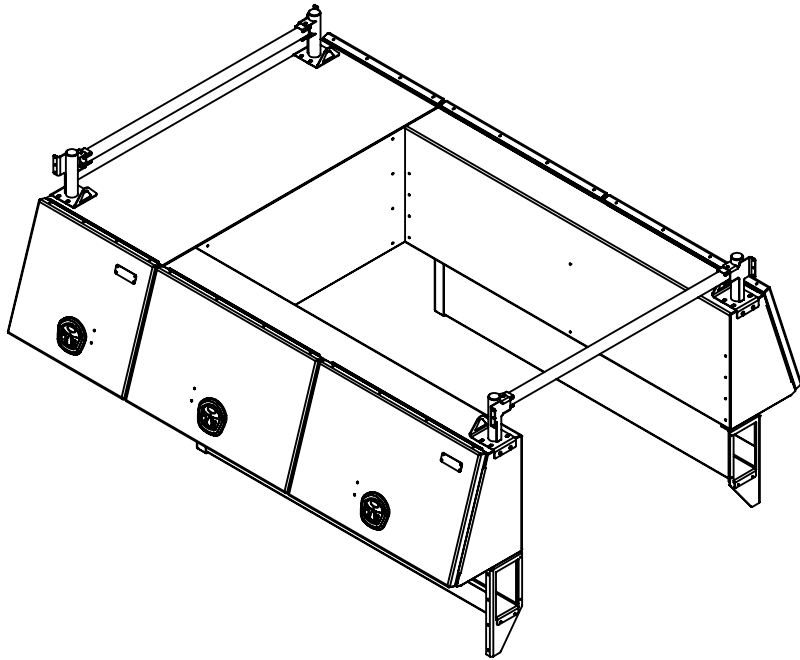
I 1 OF 1



6-DOOR

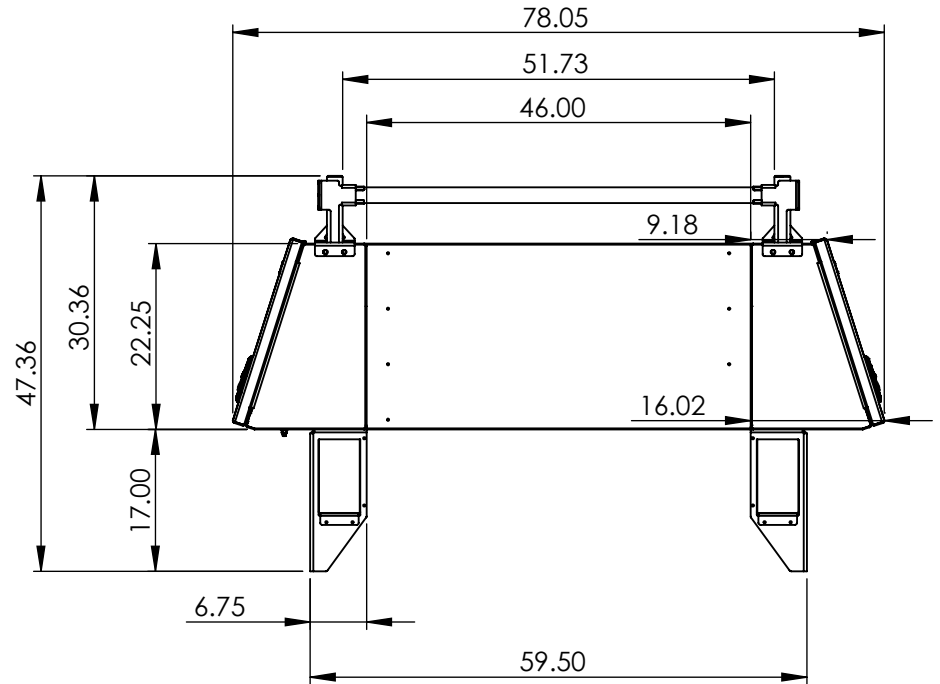
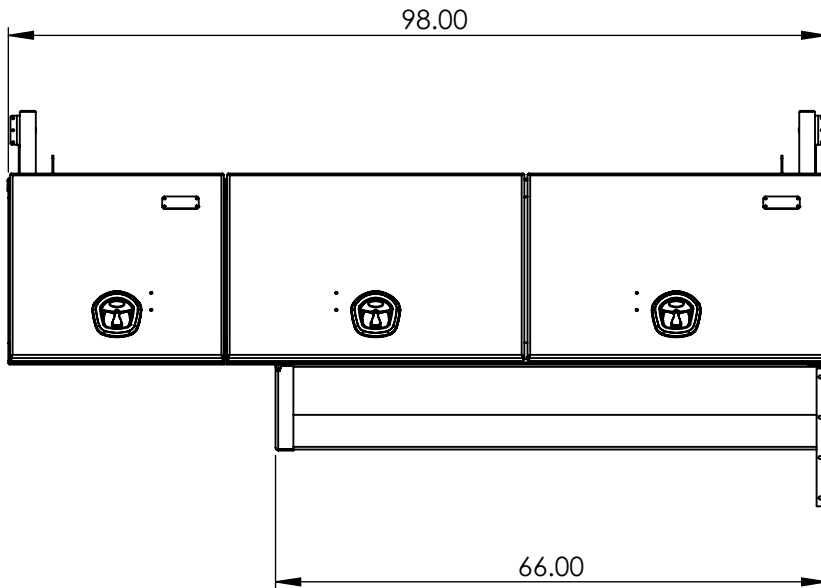
# X-HIGH HIGH SIDE TRUCK PACK





**STANDARD PACK INCLUDES:**

- (1) x LEFT SIDE BOX w/ ADJUSTABLE SHELVES
- (1) x RIGHT SIDE BOX w/ ADJUSTABLE SHELVES
- (1) x CROSS BOX w/ ADJUSTABLE SHELF
- (2) x REMOVABLE CROSS TUBES (STAINLESS)
- (4) x LADDER RACK RECEIVER POSTS (STAINLESS)
- (2) x UNDER MOUNT BED TRAYS
- (2) x BACK CORNER MOUNT GUSSETS
- (1) x HARDWARE KIT & INSTALLATION GUIDE



Part No.:

**3011**

MATERIAL: 5052 (Alum)

THICKNESS: 0.125

FINISH: Smooth

DWG. NO.: 4116-1-00-I

Approx. Weight: 312.51 lbs

**ICONIC ELEMENTS**

TITLE:

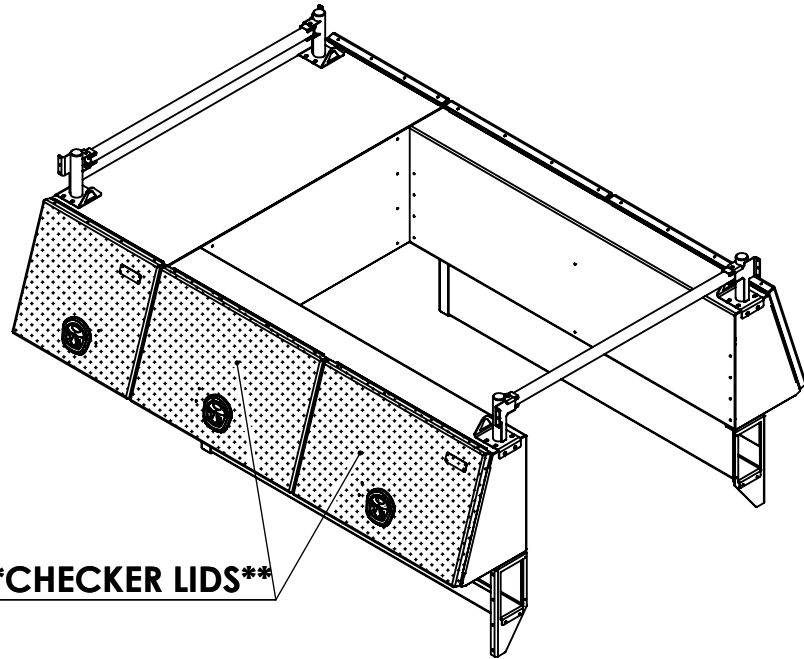
REV: SHEET:

Surf. Area: 450.23 sq. ft.

PROPRIETARY AND CONFIDENTIAL  
NO PART OF THIS DOCUMENT MAY BE REPRODUCED, STORED IN A RETRIEVAL SYSTEM, OR TRANSMITTED IN ANY FORM, WITHOUT THE WRITTEN PERMISSION OF Iconic Elements Inc.

High Side Truck Pack (Long)

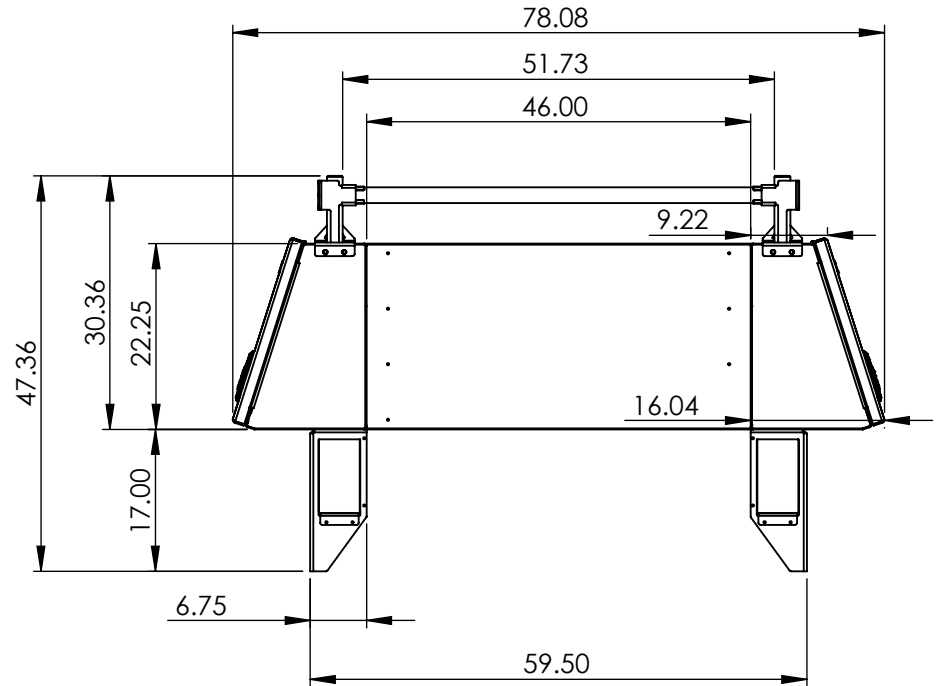
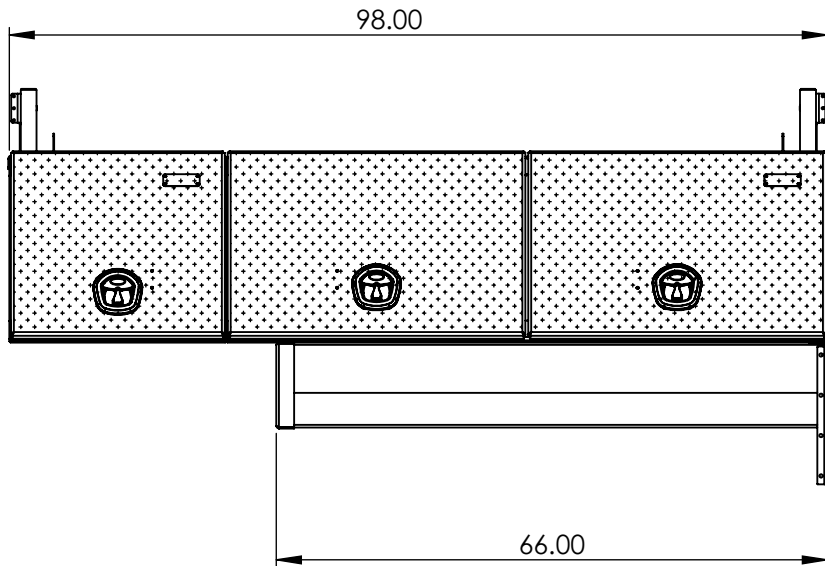
I 1 OF 1



**\*\*CHECKER LIDS\*\***

**STANDARD PACK INCLUDES:**

- (1) x LEFT SIDE BOX w/ ADJUSTABLE SHELVES
- (1) x RIGHT SIDE BOX w/ ADJUSTABLE SHELVES
- (1) x CROSS BOX w/ ADJUSTABLE SHELF
- (2) x REMOVABLE CROSS TUBES (STAINLESS)
- (4) x LADDER RACK RECEIVER POSTS (STAINLESS)
- (2) x UNDER MOUNT BED TRAYS
- (2) x BACK CORNER MOUNT GUSSETS
- (1) x HARDWARE KIT & INSTALLATION GUIDE



Part No.:

**3020**

MATERIAL: 5052 (Alum)

THICKNESS: 0.125

FINISH: Smooth

DWG. NO.: 4116-2-00-I

Approx. Weight: 323.72 lbs

**ICONIC ELEMENTS**

TITLE:

REV: SHEET:

Surf. Area: 450.76 sq. ft.

PROPRIETARY AND CONFIDENTIAL  
NO PART OF THIS DOCUMENT MAY BE REPRODUCED, STORED IN A RETRIEVAL SYSTEM, OR TRANSMITTED IN ANY FORM, WITHOUT THE WRITTEN PERMISSION OF Iconic Elements Inc.

High Side Truck Pack (Long)

I 1 OF 1