



X-ONE TRUCK CAP

ACCESSORIES



STANDARD X-ONE CAPS INCLUDE:



FRONT CROSS BOX*

*Front cross box is a standard option.
See configurations for more information.



LOW PROFILE LADDER RACK

Aluminum construction. Ships loose, bolts on after delivery. Weight Capacity: 750lbs (evenly distributed)



REAR THIRD TAIL LIGHT

Red LED third tail light. Wired up and ready to go.



ADJUSTABLE HEIGHT SHELVES

Shelves can be moved up/down in two inch increments. Braced for strength. Available in cross and side boxes.



GAS SHOCKS

Included on each door. 2x on side doors, 1x on each rear door.



AUTOMOTIVE BULB SEAL

Durable 5/8" thick automotive-grade bulb seal for weather resistance.

POPULAR MODELS:



1,200 LBS CAPACITY

INCLUDES: 4" side rails, 75% extension, 3 locking positions, 1/4" rubber mat.



1,500 LBS CAPACITY

INCLUDES: 8" side rails, 75% extension, 3 locking positions, 1/4" rubber mat.



SPLIT/DUAL - 1,200 LBS CAPACITY

INCLUDES: 4" side rails, 75% extension, 3 locking positions, 1/4" rubber mat.

FEATURES:

- Pull-out beds provided by Cargo-Ease
- Pull-out beds and bed lockers available
- 1,000 to 3,000 lbs capacities, depending on model
- 75% - 100% Extension, depending on model
- Multiple locking positions
- 1/4 inch thick rubber mat
- Easy Pull handles
- Powder coated Steel Frame
- Sliding Tie Downs Available

MORE PULL-OUT BEDS AVAILABLE:



100% EXTENSION



2500/3000 LBS CAPACITY



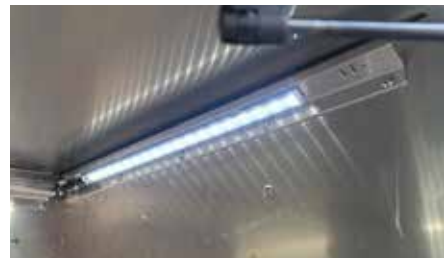
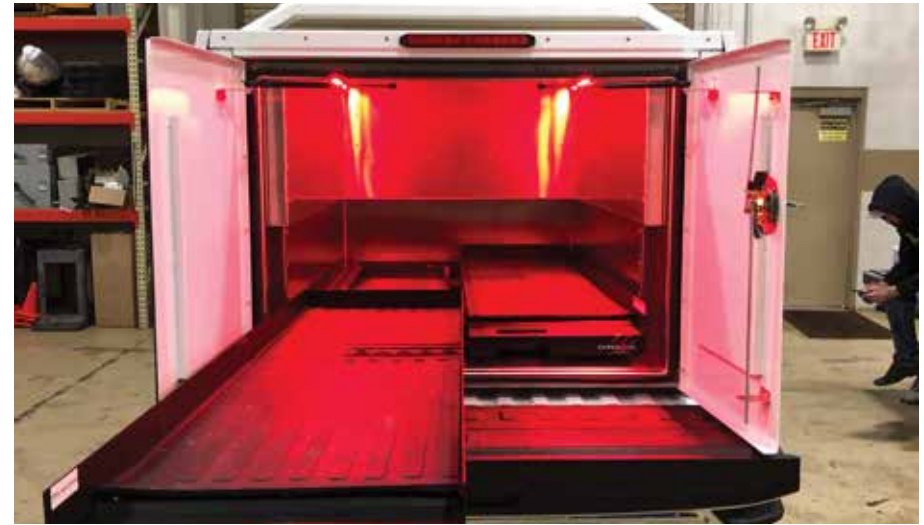
BED LOCKERS



SEE MORE AT: CARGO-EASE.COM

X-ONE ACCESSORIES:
PULL-OUT BED



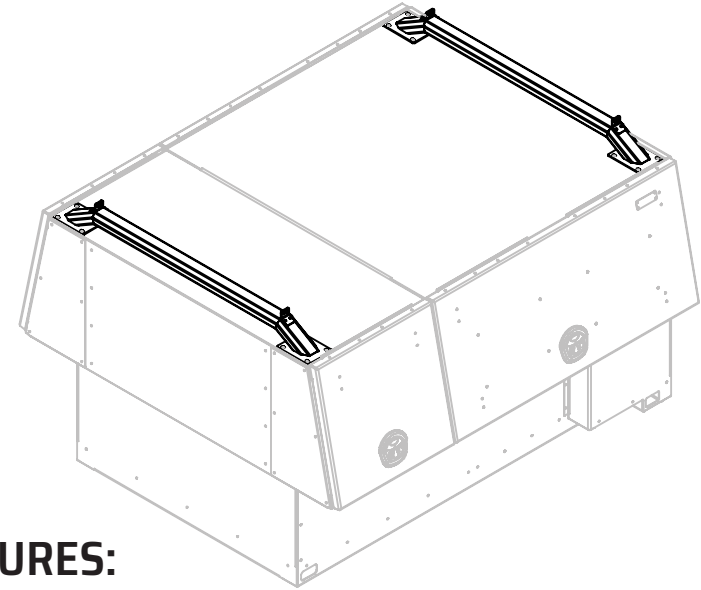


WHITE LIGHT MODE

RED LIGHT MODE

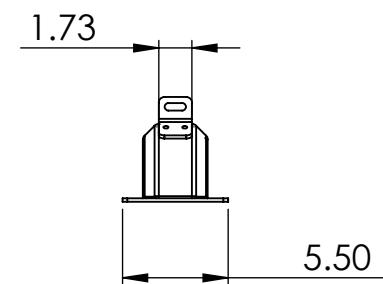
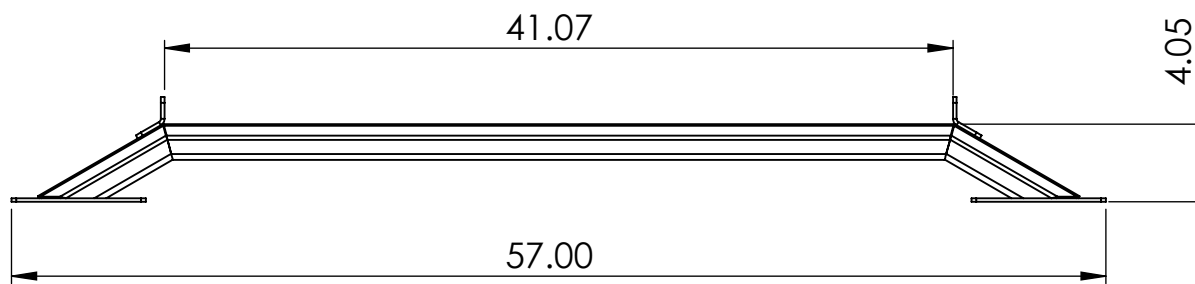
FEATURES:

- LED light strips in all compartments
- White and red light modes
- Red light reduces eye strain in the dark



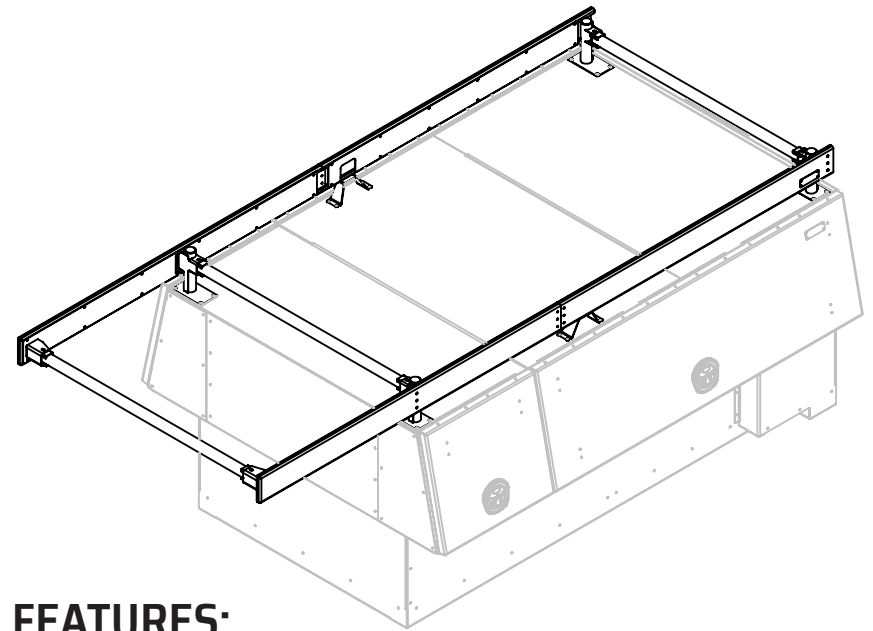
FEATURES:

- 1/8" aluminum construction
- Strong, custom channel design
- Built-in tie down points
- Ships loose, bolts on after delivery (fasteners included)
- Included standard option
- Weight capacity: 750lbs (evenly distributed)



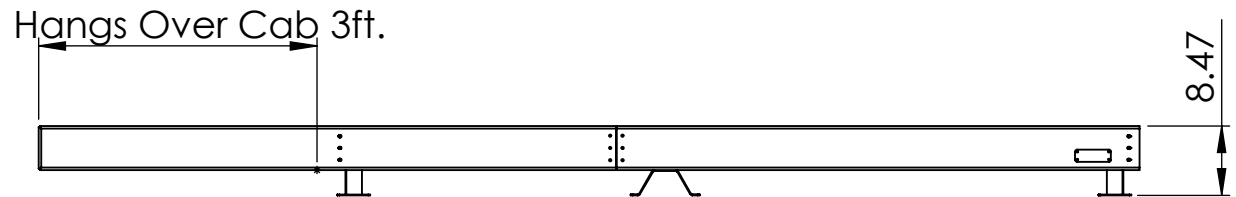
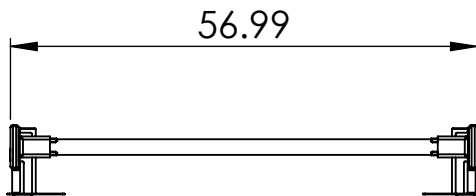
X-ONE ACCESSORIES:
LOW ROOF RAILS (STANDARD)





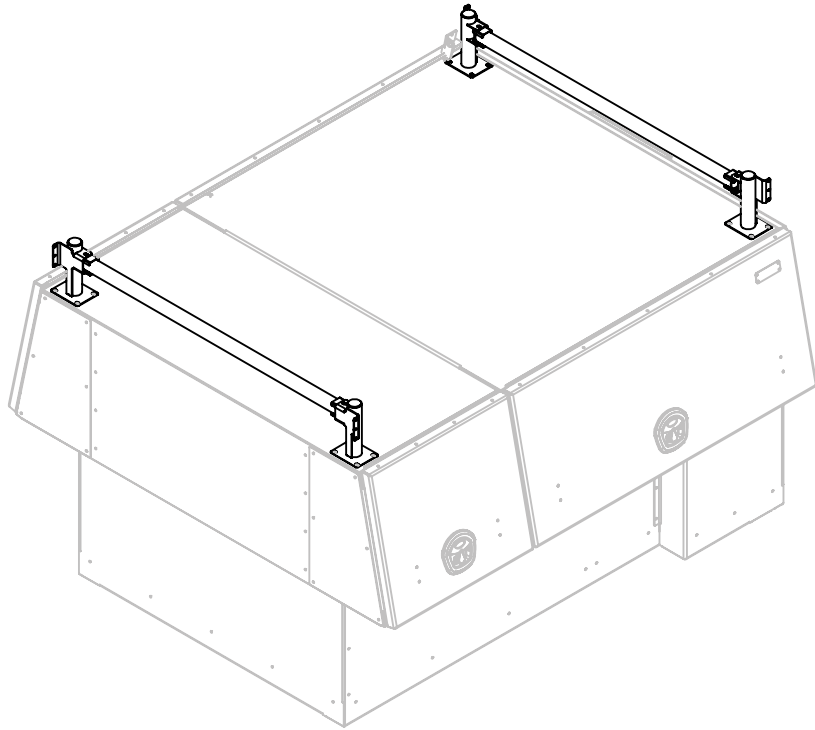
FEATURES:

- 1/8" aluminum extension arms
- Schedule 40 stainless steel pipe with stainless feet
- Extension reaches 3 feet over truck cab
- Ships loose, bolts on after delivery (fasteners included)
- Weight Capacity: 750lbs (evenly distributed)



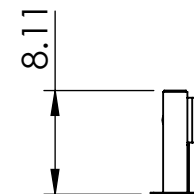
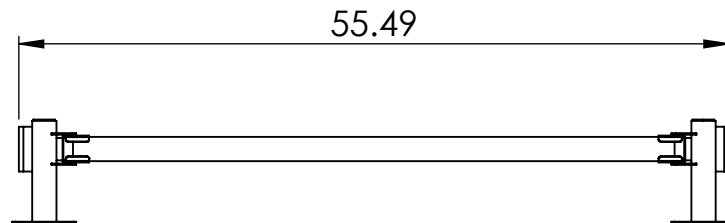
X-ONE ACCESSORIES:
EXTENDED LADDER RACK





FEATURES:

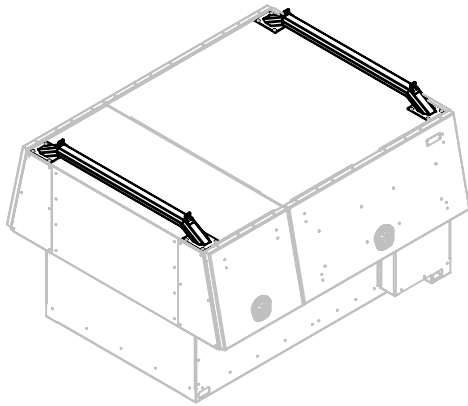
Schedule 40 stainless steel pipe with stainless feet
Ships loose, bolts on after delivery (fasteners included)
Weight Capacity: 750lbs (evenly distributed)



COMPARE ROOF RAILS:

LOW PROFILE ROOF RAILS

INCLUDED STANDARD

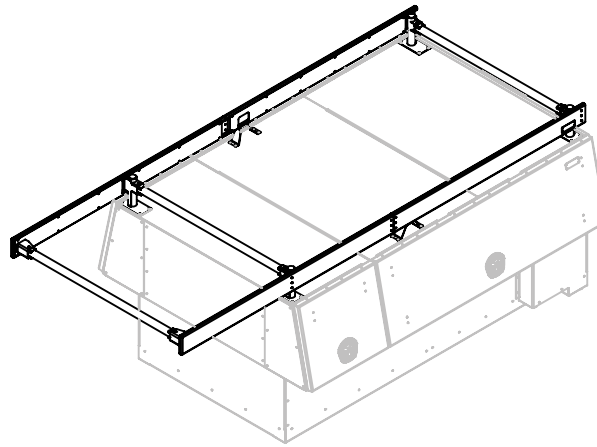


FEATURES:

- 1/8" aluminum construction
- Strong, custom channel design
- Built-in tie down points
- Ships loose, bolts on after delivery (fasteners included)
- Weight capacity: 750lbs (evenly distributed)

EXTENDED LADDER RACK

OPTION

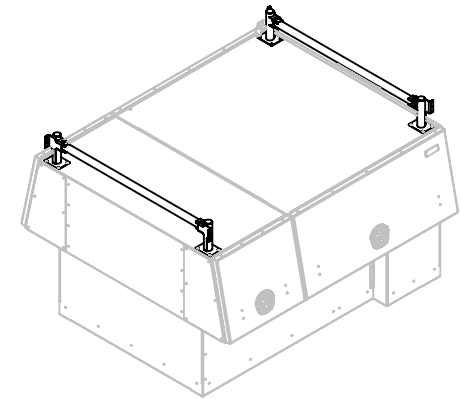


FEATURES:

- 1/8" aluminum construction
- Extension reaches 3 feet over truck cab
- Schedule 40 stainless steel pipe with stainless steel feet
- Ships loose, bolts on after delivery (fasteners included)
- Weight Capacity: 750lbs (evenly distributed)

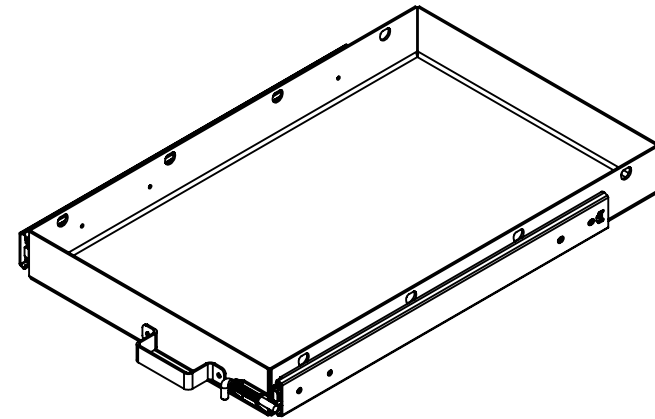
HIGH ROOF RAILS

OPTION



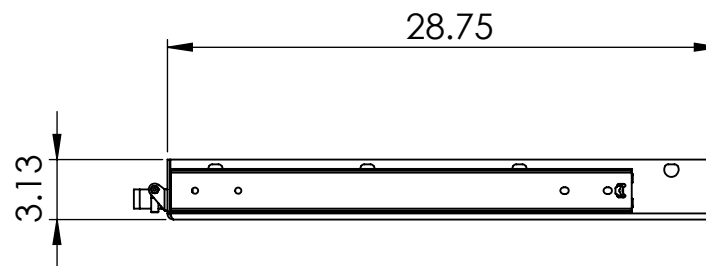
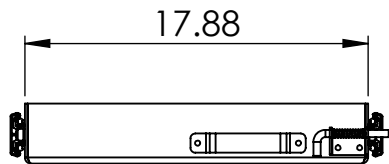
FEATURES:

- Schedule 40 stainless steel pipe with stainless steel feet
- Ships loose, bolts on after delivery (fasteners included)
- Weight Capacity: 750lbs (evenly distributed)



FEATURES:

- 1/8" aluminum body
- Stainless steel hardware
- Spring loaded slam latch holds drawer in place
- 200lbs capacity per drawer
- 24" Slides, approx 75% extension
- Tie down holes on each side
- Available in the front cross box only





FOR SIDE CABINETS

FEATURES:

- Add additional shelves if standard ones are not sufficient.
- Aluminum construction
- Adjustable up/down in 2-inch increments
- Braced underneath for additional strength
- Soft edge trim protects your arms

FOR THE CROSS BOX

X-ONE ACCESSORIES:
ADDITIONAL ADJUSTABLE SHELVES





STANDARD CHROME



MATTE BLACK*



CHROME & BLACK*

FEATURES:

- Secure and key-locking
- Comfortable to use
- Durable, stainless steel
- 3 Colours to choose from

*Subject to availability.

CUSTOM HEIGHT & ACCESSORIES

Our team of dedicated product experts will work with you to determine how we can create custom solutions to improve the storage and accessibility capabilities of your X-ONE.



CUSTOM HEIGHT*

Standard caps are cab height. Additional height available upon request.

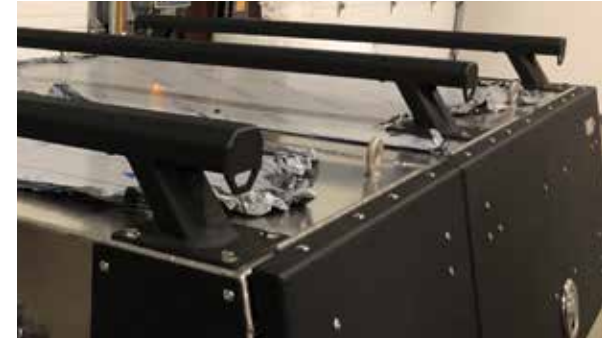
*Custom height is available up to certain limits, at the discretion of our design team. Contact a product expert for details.



INTERIOR ACCESSORIES*

Custom interior accessories can include: shelves, compartments, hooks, and more.

*Custom interior accessories may not be available for all compartments and/or cap configurations. Contact a product expert for details.



EXTERIOR ACCESSORIES*

Custom exterior accessories can include: Tie downs, ladder racks, and more.

*Custom exterior accessories may not be available for all cap configurations. Contact a product expert for details.

**CONTACT OUR PRODUCT EXPERTS
TO DISCUSS CUSTOM OPTIONS:**

**877.890.9142
SALES@ICONICMETALGEAR.COM**

X-ONE ACCESSORIES:
CUSTOM HEIGHT & ACCESSORIES

