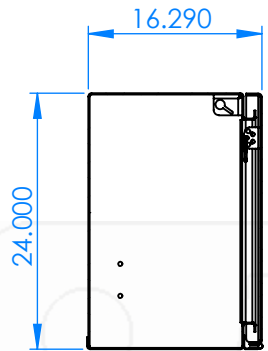




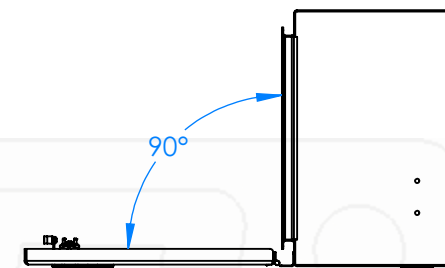
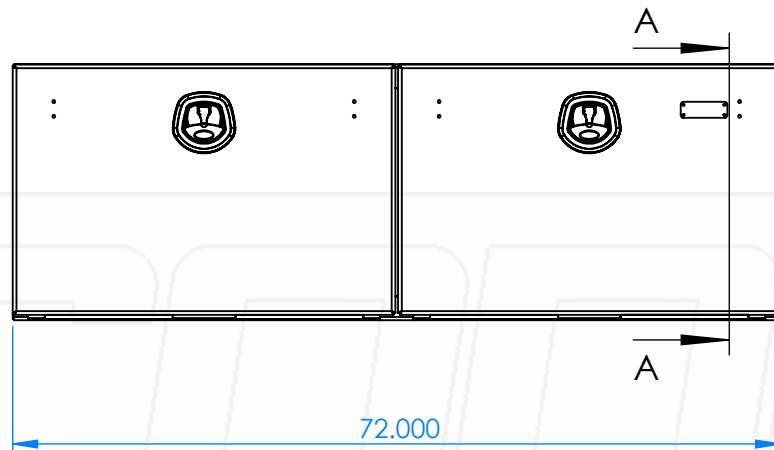
REGULAR BOX

X-SIDES
HIGH SIDE TRUCK BOXES



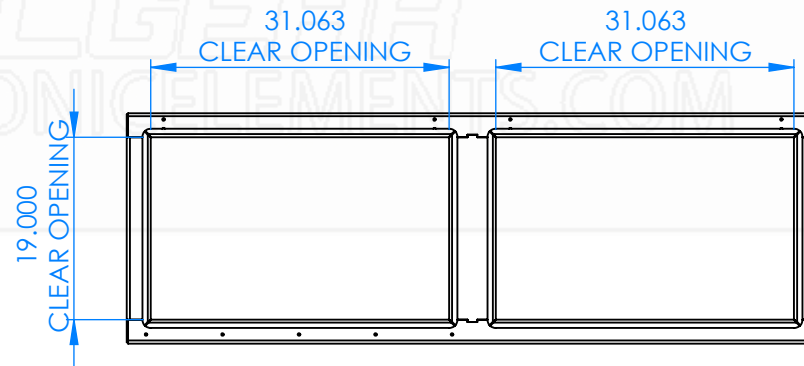
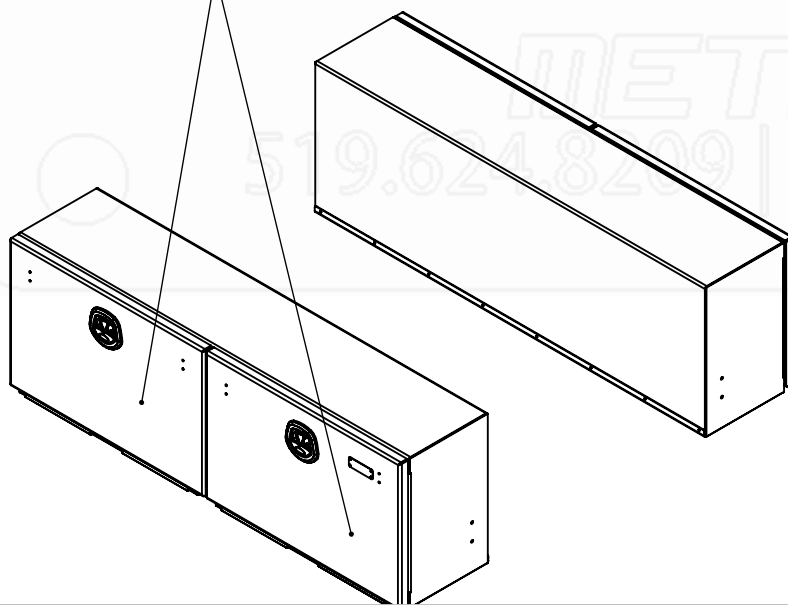


SECTION A-A
SCALE 1 : 18



FOLD DOWN DOORS W/ CHAINS

CHECKER DOORS



Part No.:	MATERIAL: 5052 (Alum)	THICKNESS: 0.125	FINISH: Smooth	DWG. NO.: 4042-C-00-A
3066	Approx. Weight: 219.67 lbs	ICONIC ELEMENTS (ICONIC METALGEAR) TITLE:		REV: SHEET:
	Surf. Area: 224.24 sq. ft.	<small>PROPRIETARY AND CONFIDENTIAL NO PART OF THIS DOCUMENT MAY BE REPRODUCED, STORED IN A RETRIEVAL SYSTEM, OR TRANSMITTED IN ANY FORM, WITHOUT THE WRITTEN PERMISSION OF Iconic Elements Inc. (ICONIC METALGEAR)</small>		A 1 OF 1
		X-Side Box - CH (Reg.)		

5

4

3

2

1

D

C

B

A